

A detailed, dark-toned image of a WEIMA 6.5 196cc engine, showing various components like the flywheel, cooling fan, and intake manifold. The engine is the central focus of the background.

# WEIMA

## PRODUCTS CATALOGUE

CHONGQING WEIMA POWER MACHINE CO.,LTD.  
CHONGQING WEIMA AGRICULTURAL MACHINERY CO.,LTD.



# Perfect Weima, Perfect Life



## CATALOGUE

### Brief Introduction

01-02

### Engine Series

Gasoline Engine

03-06

Diesel Engine

07

Engine Mounting Drawing

08-10

### Generator and Water Pump

Gasoline Generator

11-14

Gas Generator

14

Diesel Generator

15

Super Silence Generator

16

Water Pump

17-18

Welding equipment

18

### Tiller and Cultivator

Tiller Series

19-25

Attachments

26

Blades and wheel

27-28

### Transfer Series

Mini Dumper

29-30

Multi-functional loader

31-33



# BRIEF INTRODUCTION

Chongqing Weima Power Machine Co.,Ltd is located in Chongqing, Southeast of china, by the upper of the Yangtze River, is a professional manufacturer of engines and power products. We have more than 650 employees and 75 engineers working for products development and quality control. We operate a 50,000 square meters manufacture and a 30,000 square meter workshop included, in which are equipped with advanced testing machines and assembly lines. Our annual output is up to 450,000 units of engines and power sets, and 250,000 units of agriculture machines.

Our main products included two categories: (1) Power products, including 1KW to 15KW gasoline engine,3KW to 15KW diesel engine,1KW to 10KW generator(both gasoline and diesel), and 1.5 inch to 4 inch water pump; (2) Agriculture products including tiller and cultivator, widely more than 11 kinds and tiller, cultivator and other equipment for choice.

For quality assurance, we are ISO9001-2008 certified and carrying EPA,CARB,CE,GS and EC certificates. Our brand of Weima is awarded as Chongqing Famous Brand and our products are distributed to more than 50 countries and areas. Our sales ranks as No.1 in China in the last three years.

## ▲ New Office Building



## ▲ Advanced Production Assembly Line

# PROCESS AND QUALITY CONTROL



▲ Home-Made Parts



▶ Part Inspection Center



▲ Horiba Emission Test



▲ Warehouse Management

● **ENGINE SERIES**

● **SERIES DE MOTORES**

● **SÉRIE DE FORCE MOTRICE**



**WM168FB-2/P**  
**WM170F-2/P**

The horizontal engine with optional PTO shafts to match various end-machines, has longer muffler and air cleaner.



**WM188F-2/P**  
**WM190F-2/P**

Patent Layout More powerful, dependable, safe longer working life, reach 1200 hours comprehensive usage.

The series of EPA III Engine with our advanced technology, have the merits of great power; high efficiency, 4%-7% better than the Non-EPA ones; and low emission.



# GASOLINE ENGINE SERIES

## WM152F/P

4-stroke and side valve design engines provide excellent power for generators and pumps. They meet CE approved standards.



## WM156F/P-M

3HP engine with OHV design, is perfect for pumps, generators, etc.

### SPECIFICATION

Model	WM152F/P	WM156F/P-M
Bore x stroke	52 x 46mm	56 x 40mm
Displacement	97cc	98.5cc
Max. power	1.9Hp(1.4kw)/3600rpm	2.5Hp(1.8kw)/3600rpm
Rated power	1.6Hp(1.2kw)/3600rpm	2.2Hp(1.6kw)/3600rpm
Compression ratio	6.8:1	8.0:1
Max. torque	3.3N.m/3000rpm	4.5N.m/3000rpm
Fuel tank capacity	1.4L	1.6L
Engine oil capacity	0.35L	0.45L
Oil consumption	450g/kw.h	420g/kw.h
Ignition system	Transistor magneto	
Starting system	Recoil start	
Engine type	SV, single-cylinder, 4-stroke, forced air cooling	OHV, single-cylinder, 4-stroke, forced air cooling
N.W / G.W	7.6/9	9.6/11.5
Dimension(L x W x H)	310 x 310 x 370	340 x 305 330
20FT(set)	960	900
Certificate	CE/EPA/CARB	EPA/CARB

# GASOLINE ENGINE SERIES



## WM168FA/P/168FB/P

With the same variety of application as WM168FB-1, they meet CE, EPA, EC, and CARB standards.

## WM177F/P/188F/P/190F/P

Compact structure, low exhaust emission and low vibration, it meets CE,EPA,EC and CARB standards.

### SPECIFICATION

Model	WM168FA(E)/P	WM168FB(E)/P	WM170F(E)/P	WM177F(E)/P	WM188F(E)/P
Bore x stroke	68 x 45mm	68 x 54mm	70 x 55mm	77 x 58mm	88 x 64
Displacement	163cc	196cc	212cc	270cc	389cc
Max. power	5.5Hp(3.8kw)/3600rpm	6.5Hp(4.5kw)/3600rpm	7Hp(5kw)/3600rpm	9Hp(6.5kw)/3600rpm	13Hp(8.5kw)/3600rpm
Rated power	4.8Hp(3.0kw)/3600rpm	5Hp(3.8kw)/3600rpm	5.4Hp(4.0kw)/3600rpm	7.0Hp(5.0kw)/3600rpm	11Hp(8.0kw)/3600rpm
Compression ratio	8.5:1	8.5:1	8.2:1	8.2:1	8.0:1
Max. torque	10N.m/2500rpm	11N.m/2500rpm	12N.m/2500rpm	18N.m/2500rpm	22N.m/2500rpm
Fuel tank capacity	3.6L	3.6L	3.6L	6L	6.5L
Engine oil capacity	0.6L	0.6L	0.6L	1.1L	1.1L
Oil consumption	395g/kw.h	395g/kw.h	395g/kw.h	374g/kw.h	374/kw.h
Ignition system	Transistor magneto				
Starting system	Recoil start/electric start				
Engine type	OHV, single-cylinder, 4-stroke, forced air cooling				
N.W / G.W	15/17 17/19	16/18 19/21	16/18 19/21	27/30 25/28	29/32 32/35
Dimension(L x W x H)	400 x 375 x 380 460 x 375 x 380	400 x 375 x 380 460 x 375 x 380	400 x 375 x 380 460 x 375 x 380	490 x 430 x 530 530 x 430 x 530	490 x 430 x 530 530 x 430 x 530
20FT(set)	516/450	516/450	516/450	244/228	244/228
Certificate	CE / EPA / EC / CARB			EPA/CARB	CE/EPA/EC/CARB



# GASOLINE ENGINE SERIES



## WM190F-C/P

Powerful engine, use for boats.



## WM1P65F/P

With vertical shaft, it is ideal for lawn mowers and tilling machines.



## WM2V78F/P

Double cylinders design provides great power for generators.

### SPECIFICATION

Model	WM190F(E)/P	WM190F-C/P	WM192F(E)/P	WM1P65F/P	WM2V78F/P
Bore x stroke	90 x 66mm	90 x 66mm	92 x 66mm	64 x 42mm	78 x 67mm
Displacement	420cc	420cc	440cc	139cc	639cc
Max. power	16Hp(9.0kw)/3600rpm	16Hp(9.2kw)/3600rpm	9.5Kw/3600rpm	3.7Hp(2.7kw)/3600rpm	20Hp(14.5kw)/3600rpm
Rated power	11.4Hp(8.5kw)/3600rpm	11.4Hp(8.7kw)/3600rpm	9.1Kw/3600rpm	3.1Hp(2.3kw)/3600rpm	16Hp(12kw)/3600rpm
Compression ratio	8.3:1	8.3:1	8.3:1	8.0:1	8.5:1
Max. torque	25N.m/2500rpm	25.5N.m/2500rpm	25.8N.m/2500rpm	6.5N.m/2500rpm	40.8N.m/2500rpm
Fuel tank capacity	6.5L	6.5L	6.5L	1.6L	
Engine oil capacity	1.1L	1.1L	1.1L	0.6L	1.4L
Oil consumption	374g/kw.h	374g/kw.h	374g/kw.h	395g/kw.h	374g/kw.h
Ignition system	Transistor magneto				
Starting system	Recoil/Electric start	Recoil start	Recoil start	Recoil start	Electric start
Engine type	OHV, single-cylinder, 4-stroke, forced air cooling				OHV, double-cylinder, 4-stroke, forced air cooling
N.W / G.W	32/35 29/32	33/35	33/36	11.5/13.5	42/44
Dimension(L x W x H)	490 x 430 x 530 530 x 430 x 530	490 x 460 x 530	530 x 430 x 530	455 x 410 x 370	470 x 405 x 450
20FT(set)	244/228	244	228	414	360
Certificate	EPA/EC/CARB			CE	CE





# DIESEL ENGINE SERIES

**WEIMA**



**WM186FBK  
WM178FK**

WEIMA strong power engine with diesel and low noise, it usually be used as the power of tiller, generator sets, water pumps, etc.



**WM186FB  
WM188F**



**WM290F**

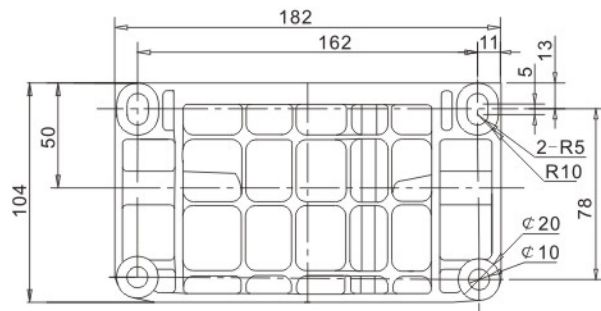
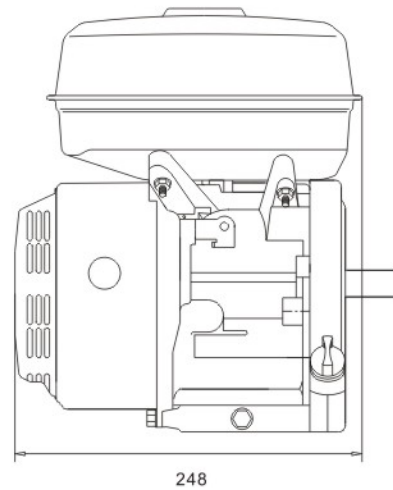
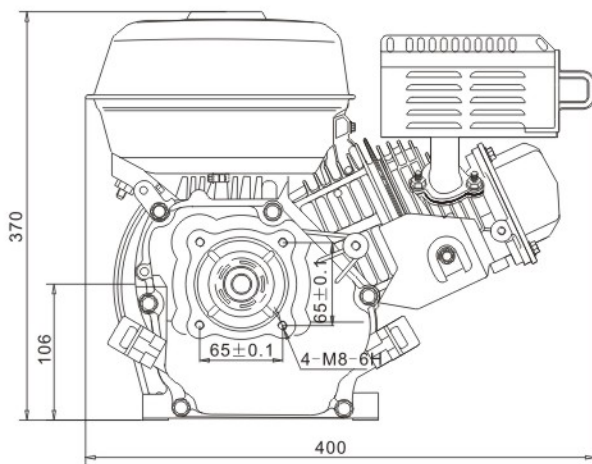


**WM170F  
WM178F**

## SPECIFICATION

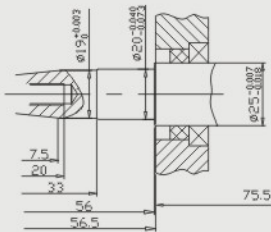
Model	WM170F	WM178F	WM186FB	WM188F	WM290F
Type	Single-cylinder, Vertical 4-stroke, forced air-cooled engine				Double-cylinder, Vertical 4-stroke, forced air-cooled engine.
Displacement	211	296	418	438/456	954
Max Power	4.2Hp	5.8Hp	9.5Hp	10.5/11Hp	20Hp
Rated power	3.8Hp	5.4Hp	8.5Hp	9.3/10Hp	19Hp
Combustion system	Direct injection	Direct injection	Direct injection	Direct injection	Direct injection
Bore x stroke	70 x 55	78 x 62	86 x 72	88 x 72/88 x 75	90 x 75
Engine rotation speed	3600	3600	3600	3600	3600
Direction of Revolution	Left(from PTO side)				
PTO ( power take off ) shaft	Crankshaft or camshaft(camshaft PTO rpm is 1/2c crankshaft)				
Fuel tank capacity(L)	2.5	3.5	5.5	5.5	7
Lube capacity(L)	0.8	1.1	1.65	1.65	3.0
Fuel/lube	0# in summer, -10# or -20# in winter/SA 10W30				
Starting model	Recoil start	Recoil/Electric start	Recoil/Electric start	Recoil/Electric start	Recoil/Electric start
N.W/G.W	27/29	33/35	48/50	48/50	78/79
Dimension	332 x 384 x 416	470 x 440 x 510	510 x 455 x 535	510 x 455 x 535	653 x 579 x 620
20FT(set)	525	252	176	176	97
Certificate					

## WM168FA/P WM168FB/P WM170F/P

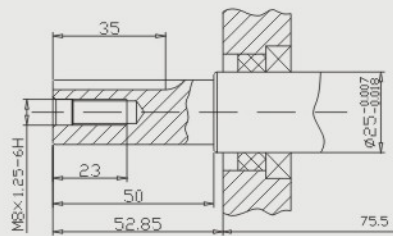


02

V type (For Weima Generator)

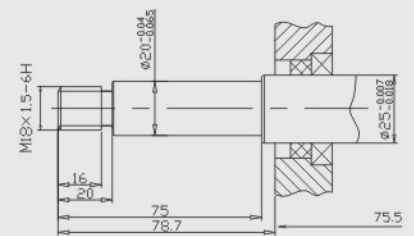
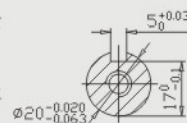


S type



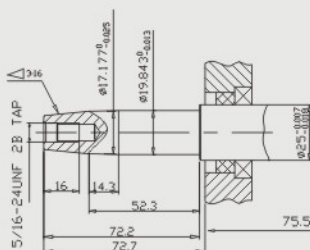
03

W type



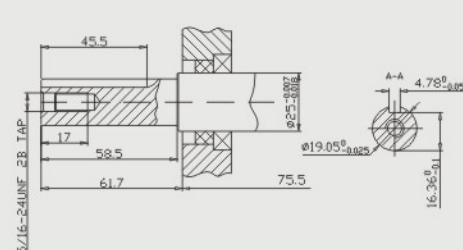
04

V type

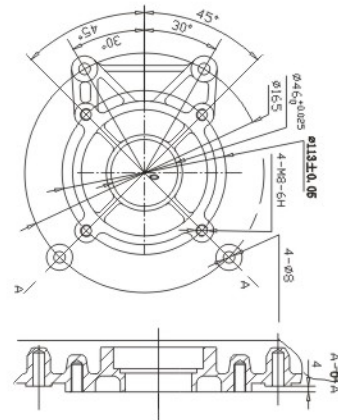
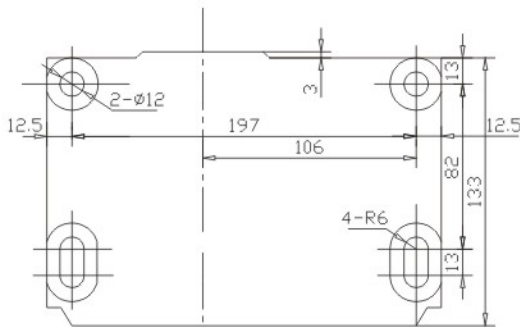
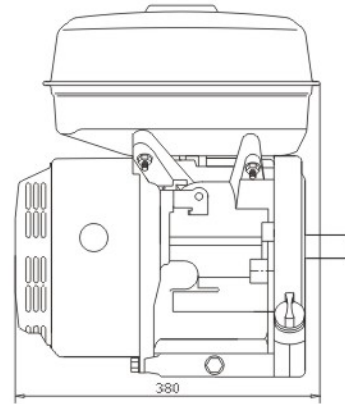
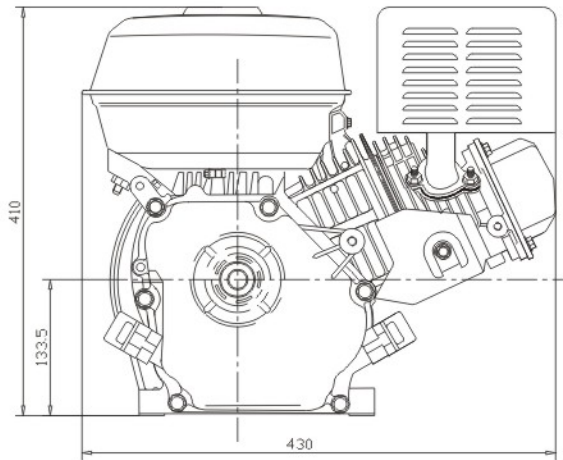


05

Q type



## WM177F/P



01

02

03

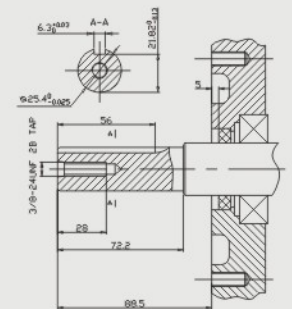
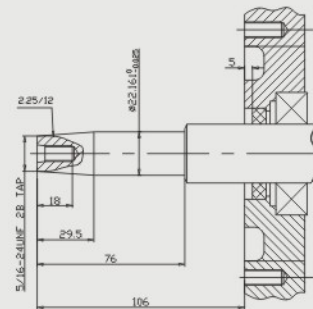
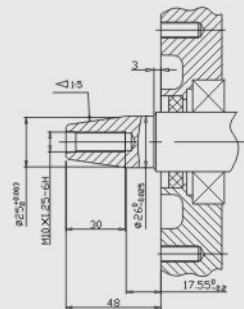
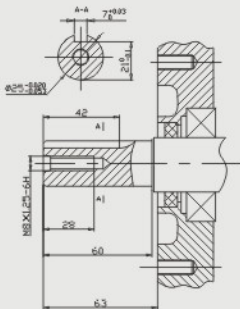
04

**S** type

**V** type (only for weima generator)

**V** type

**Q** type





# ● GENERATOR SERIES

# ● SERIES DE GENERADORES

# ● SÉRIE DE GROUPE ÉLECTROGÈNE

- ★ Different types for you choice.
  - ★ Electric start could be applied to generator according to your request.
  - ★ Function of control system could be extended properly.
  - ★ Brush and brushless options are available.
  - ★ Different types of sockets and control panels can be installed according to your will.
- If you have special requests, please tell us in advance.

- Gasoline Generator
- Diesel Generator
- Super Silence Generator





# GASOLINE GENERATOR SERIES



**MT Type**



**HT Type**



**GT Type**

All types work for Weima 1Kw to 7Kw generators.

## SPECIFICATION

Model	WM1200	WM1300	WM2500(E)	WM3200(E)	WM3500(E)
<b>Generator</b>					
Frequency(Hz)	50/60	50/60	50/60	50/60	50/60
Rated AC Output(Kw)	0.7/0.9	0.85/1	3.0/2.2	2.5/2.8	3.0/3.5
Max. AC Output(Kw)	1.0/1.2	1.1/1.3	2.2/2.5	2.7/3.2	3.5/4.0
Rated AC voltage(V)	110, 120, 220, 230, 240				
Type	Brushless, Self-excitation, 2-pole, Single-phase			Brush, Self-excitation, 2-pole, Single-phase	
DC Out put	12V/8.3A	12V/8.3A	12V/8.3A	12V/8.3A	12V/8.3A
<b>Engine</b>					
Engine model	WM152F/P	WM156F/P-M	WM168FB/P/168FBE/P	WM170P/B&S/170FE/P	WM177F/177FE
Engine type	Forced air-cooled, 4-stroke		Forced air-cooled, 4-stroke, OHV		
Fuel tank capacity(L)	3	4.8	15	15	25
Starting system	Recoil Starter		Recoil/Electric Starter		
<b>Packing</b>					
N.W / G.W(kg)	25/26	28/30	42.5/45.5	45/47	63/67
Dimension(mm)	445 × 350 × 430	500 × 385 × 430	605 × 455 × 470	605 × 455 × 470	695 × 535 × 575
20FT(set)	420	330	225	225	136
Certificate	CE/RoHS	RoHS	CE/GS/RoHS	CE/GS/RoHS	

# GASOLINE GENERATOR SERIES



**LT Type**



**VT Type**

All types work for Weima 1Kw to 7Kw generators.

## SPECIFICATION

Model	WM4500(E)	WM5500(E)	WM7000(E)	WM7500E
<b>Generator</b>				
Frequency(Hz)	50/60	50/60	50/60	50/60
Rated AC Output(Kw)	3.8/4.2	5.0/5.5	6.2/6.5	6.8/7.5
Max. AC Output(Kw)	4.2/4.5	5.5/6.0	6.5/7.0	7.5/8.0
Rated AC voltage(V)	110,120,220,230,240			
Type	Brush,Self-excitation,2-pole,Single-phase			
DC Output	12V/8.3A	12V/8.3A	12V/8.3A	12V/8.3A
<b>Engine</b>				
Engine model	WM188F/P/188FE/P	Wm188F/P/188FE/P	Wm190F/P/190FE/P	192FE/P
Engine type	Forced air-cooled,4-stroke,OHV			
Fuel tank capacity(L)	25	25	25	25
Starting system	Recoil/Electric Starter			
<b>Packing</b>				
N.W / G.W(kg)	76/80 80/84	78/82 83/87	90/94 98/102	98/100
Dimension(mm)	695 × 535 × 575	695 × 535 × 575	695 × 535 × 575	785 × 610 × 605
20FT(set)	136	136	136	75
Certificate	CE/RoHS	CE/RoHS	CE/RoHS	



# GASOLINE GENERATOR SERIES



## GASOLINE GENERATOR

Double cylinder engine , high-power output.



## GAS GENERATOR

LPG/NG for option, better regulator design, green power and safe.

## SPECIFICATION

Model	WM1110-A	WM3135-B	WM2500Q	WM5500Q
<b>Generator</b>				
Frequency(Hz)	50/60	50/60	50/60	50/60
Rated AC Output(Kw)	8.5/9.2	8.5/9.2	2/2.2	5/5.5
Max. AC Output(Kw)	9.5/10	9.5/10	2.2/2.5	5.5/6.0
Rated AC voltage(V)	110,120,220,230,240	380		110,120,220,230,240
Type	Brush,Self-exciation,2-pole,Single-phase		3	Brush,Self-exciation,2-pole,Single-phase
DC Output	12V/8.3A	12V/8.3A	12V/8.3A	12V/8.3A
<b>Engine</b>				
Engine model	WM2V78F/P	WM2V78F/P	WM168FB/P	WM188F/P
Engine type	Forced air-cooled,4-stroke,OHV			
Fuel tank capacity(L).	26	26		
Starting system	Recoil/Electric Starter			
<b>Packing</b>				
N.W / G.W(kg)	158/175	158/175	42.5/45.5	88/82
Dimension(mm)	990 × 690 × 750	990 × 690 × 750	605 × 455 × 475	695 × 585 575
20FT(set)	54	54	225	136
Certificate				





# DIESEL GENERATOR SERIES **WEMA**



## WM3600CL WM5000CL

The diesel generator is powered by WM178F/WM186F.



## WM6000CLE

With the diesel engine WM188F of 456cc.



## WM12000CE

With low noise, low emission and excellent function, these diesel generating sets have the same appearance with different output level.

### SPECIFICATION

Type	WM3600CL		WM5000CL		WM6000CLE		WM12000CE		
Phase	1		1		3		3		
Rated frequency(Hz)	50	60	50	60	50	60	50	60	
Rated power(kw)	2.7	2.8	4.5	4.8	5.5	6.0	10	11	
Rated speed(rpm)	3000	3600	3000	3600	3000	3600	3000	3600	
Rated voltage(V)	230/115	240/120	230/115	240/120	400/230	400/230	400/230	400/230	
DC output(V/S)	12/8.3								
Power factor(cos φ )	1		1		0.8(LAG)		1.0		
Excitation system	controllable self-excitation and constant voltage								
Structure	Trolley								
<b>Engine</b>									
Engine model	WM178F		WM186F/WM186FE		WM188F		WM290FE		
Engine type	Single-cylinder, vertical 4-stroke, forced air-cooled engine.							Double-cylinder, vertical 4-stroke, forced air-cooled engine.	
Starting system	Recoil start		Recoil/Electric start		Electric start				
Fuel capacity(L)	15		16		16		26		
Noise level(at 7m)db(A)	78		79		66		80		
<b>Packing</b>									
N.W / G.W	65/68		92/95		165/175		243/245		
Dimension	675 × 500 × 565		715 × 530 × 605		940 × 540 × 710		1030 × 825 × 735		
20FT(set)	144		84		72				
Certificate	CE/LVD								



# SILENCE GENERATOR SERIES



## WM5500E-S

Super silent type gasoline generator gives great power.



## WM5000CL-1

The diesel generator is powered by WM186FE.



## WM12000CE-S

The silence type with powerful double cylinder diesel engine, usually be used as the commercial power.

### SPECIFICATION

Type	WM5500E-S		WM5000CL-1		WM12000CE-S	
Phase	1&3		1&3		1&3	
Rated frequency(Hz)	50	60	50	60	50	60
Rated power(kw)	5	5.5	4.2	4.5	9.5	10.5
Rated speed(rpm)	3000	3600	3000	3600	3000	3600
Rated voltage(V)	400/230	400/230	400/230	400/230	400/230	400/230
DC output(V/S)	12/8.3					
Power factor(cos φ )			0.8(LAG)		1.0/0.8(LAG)	
Excitation system	controllable self-excitation and constant voltage					
Structure	Trolley					
<b>Engine</b>						
Engine model	WM188F/P		WM186FE		WM290FE	
Engine type			Single-cylinder, vertical 4-stroke, forced air-cooled engine.		Double-cylinder, vertical 4-stroke, forced air-cooled engine.	
Starting system			Electric start		Electric start	
Fuel capacity(L)	25		16		26	
Noise level(at 7m)db(A)			66		75	
<b>Packing</b>						
N.W / G.W	93/95		165/175		297/327	
Dimension	1134 × 654 × 705		940 × 540 × 710		1180 × 660 × 860	
20FT(set)	63		72			
Certificate			CE/LVD			



# GASOLINE WATER PUMP SERIES

WEMA



## 1.5 Inch Pump

With compact structure, mini body and low noise, it is easily operated in your common duty.



## 2-4 Inch Pump

Compact structure and high efficiency, it is suitable for your daily work and time-saving.



## Trash Pump

It is powered by WM168FB/P with its great efficiency and excellent performance.

### SPECIFICATION

Model	WMOGZ40-20	WMOGZ50-30	WMOGZ80-30	WMOGZ100-30	WMPW80-26
Type	Self priming	Self priming	Self priming	Self priming	Centrifugal
Inlet/outlet size(mm)	40	50	80	100	80
Max Lift(m)	20	30	30	30	26
Max.power(hp)	2.5	5.5	6.5	11	6.5
Suction(m)	5~8	5-8	5~8	4.5	5-8
Engine model	WM152F/P	WM168F/P	WM168FB/P	WM188F/P	WM168FB/P
Max.discharge capacity(m <sup>3</sup> /h)	27	36	60	96	
Starting system	Recoil start	Recoil start	Recoil start	Recoil start	Recoil start
Fuel tank capacity	1.1	3.6	3.6	6.5	3.6
N.W / G.W	13/14	25/27	28/30	52/55	36/38
Dimension	350 × 300 × 420	485 × 385 × 405	515 × 410 × 460	690 × 475 × 580	566 × 440 × 450
20FT(set)	560	305	300	160	
Certificate	CE	CE/GS	CE/GS	CE	

Note:When water pump lift is at the maximum, the rate of flow is minimum.



# DIESEL WATER PUMP SERIES

Model	WMCGZ80-30	WMCGZ100-30
Type	Self priming	Self priming
Inlet/outlet size(mm)	80	100
Max Lift(m)	30	30
Max.power(hp)	5	5.5
Suction(m)	5	5~8
Engine model	WM178F	WM186F
Max.discharge capacity(m <sup>3</sup> /h)	51	96
Starting system	Recoil start	Recoil start
Fuel tank capacity	5.5	5.5
N.W / G.W	52/55	60/62
Dimension	565 × 460 × 530	680 × 520 × 660
20FT(set)	105	160
Certificate		CE/GS



## 3-4 Inch Pump

The diesel water pump is powerful, and stable water flow.

Note:When water pump lift is at the maximum, the rate of flow is minimum.



# WELDING EQUIPMENT WEIMA



## WMAXQ1-190A

It can be used for welding or generating electricity.

TYPE	WMAXQ1-190A
Working amperage(DC)A	50-190(DC)
No-loading voltage(DC)V	62-90
Working voltage(DC)V	25-28
Adjective power(DC)kW	2(AC)
Adjective voltage(DC)V	230
Rated rotation(r/min)	3600
Load continuous rate%	60%
Insulation class of generator	B
Cool type of engine and generator	Air-cooling
Protection class of generator cover	1P23
Engine power	16Hp
Fuel tank capacity(L)	25
N.W/G.W(kg)	96/98
Dimension(mm)	700 × 695 × 580
20FT(set)	132
Certificate	

# ● TILLER AND CULTIVATOR SERIES

## ● TIMÓN Y SERIES CULTIVADOR

### ● BARRE ET SÉRIE CULTIVATEUR

- ★ Powerful output, easy operation and maintenance.
- ★ Compact structure, small size, light weight and excellent functions.
- ★ Widely used in field work such as cultivation, ditching and earthing up, etc, also in large shed vegetable base, paddy field, dry farmland and sandy land.
- ★ Easy operation: Circum-cultivation, deep or shallow ploughing, the height of the handle and the depth of the ploughing are adjustable.
- ★ Weima has the widest range of tiller models in the Chinese market.





# TILLER SERIES

## WM400B

Powered by 1P64F/P, this tiller has the same performance and function as WM400.



## WM500

Belt transmission, powered by WM168FB/P gasoline engine of 6.5HP. Suitable for different land usage.

## WM500AMF

Belt transmission, powered by WM168FB/P gasoline engine of 6.5HP. Suitable for different land usage with 360 degree rotary handle bar.



## WM900-2

Powered by gasoline engine WM168FB/P, it has a good reputation for its excellent function and performance.



# TILLER SERIES WEMA



## WM1050

Belt transmission, unique design, powered by WM168FB/P gasoline engine of 6.5Hp.



## WM1000(A)

All gear transmission, powered by WM168FB-2/P gasoline engine of 6.5Hp. Suitable for different land usage with 360 degree rotary handle bar.

## WM1000N

Rotary tilling machine is powered by WM168FB-2/P gasoline engine.



## SPECIFICATION

Model	WM400B	WM500	WM500AMF	WM900	WM1000(A)	WM1000N	WM1050
Body size(mm)	1400 × 700 × 980	1380 × 650 × 970	1380 × 650 × 970	1390 × 800 × 1070			
Tilling scope(mm)	700	900	600	1050	700	700-1050	1050
Tilling depth(mm)	150-250	150-300	150-300	150-300	150-300	150-300	150-300
Gear shifting	1	1/2,0,1/-1,0,1/-1,2,0,1	-1,1	1/2,0,1/-1,0,1/-1,2,0,1	1,2,3,-1,0	1,0,2-1	-1,2,0,1
Driving model	gear	Belt	Belt	Belt	gear	gear	belt
Max.torque(N.m/rpm)	6.6/2500	11/2500	11/2500	11/2500	11/2500	11/2500	11/2500
Transmission oil capacity(L)	0.6	0.95	0.95	1.1	0.6	1.1	1.1
Engine model	WM1P65F/P	WM168FB/P	WM168FB/P	WM168FB-2/P	WM168FB-2/P, Q shaft	168FB-2/P /170F-2/P	WM168FB (speed-down equipment: 44%)
Max.power hp(kw)/rpm	5(3.7)/3600	6.1(4.5)/3600	6.1(4.5)/3600	6.1(4.5)/3600	6.1(4.5)/3600	4.2(3.1)/3600	6.1(4.5)/3600
N.W/G.W(kg)	30/35	60/74	60/74	70/85	95/100	211/296	82/95
Dimension(mm)	720 × 440 × 740	820 × 375 × 780	885 × 380 × 770	860 × 410 × 780	870 × 455 × 720	890 × 455 × 780	890 × 455 × 660
20FT(Set)	126	125	125	96	96	96	98
Certificate	CE	CE/GS	CE	CE	CE		CE



# TILLER SERIES



Normally disengaged clutch



Standard Handle



## WM1100 SERIES



With battery



Diesel engine



With water pump



Trailer

Matching model: WM1100A, WM1100B series





# TILLER SERIES WEMA



## WM1100A(E) WM1100B(E)

Powered by diesel engine with great output, they can make your field work easier.

### SPECIFICATION

	Model	WM1100A(E)	WM1100B(E)	WM1100C	WM1100D(E)
	N.W / G.W	115/120	135/140	110/125	115/120
TILLER	Tilling width(mm)	800-1100	800-1300	800-1100	800-1100
	Tilling depth(mm)	150-300	150-300	150-300	150-300
	Gear shifting	1,0,2,-1	1,0,2,-1	1,0,2,-1	1,0,2,-1
	Driving model	gear	gear	gear	gear
ENGINE	Engine model	WM178F(Diesel engine)	WM186FB (Diesel engine)	WM168FB-2/P	WM177F/P
	BorexStroke(mm)	78 × 62	86 × 70	68 × 54	77 × 58
	Displacement(ml)	296	406	211	277
	Max.output hp(kw)/rpm	6(4.4)/3600	9(6.6)/3600	6.1(4.5)/3600	9(6.5)/3600
	Rated power hp(kw)/rpm	5.3(4)/3600	8.4(6.3)/3600	8.4(6.3)/3600	6.7(5.0)/3600
	Fuel tank capacity(L)	3.5	5.5	3.6	6
	Lube capacity(L)	1.1	1.65	0.6	1.1
	Starting model	Recoil/Electric	Recoil/Electric	Recoil	Recoil/Electric
PACKING	Dimension	1050 × 570 × 780	1050 × 570 × 780	980 × 570 × 760	1050 × 570 × 780
	20FT(set)	66	66	66	66
	Certificate	CE	CE		



# CLUTIVATOR SERIES

## WM610 with A-ditcher

Powered by diesel engine WM178F  
it has strong power and light weight.



## WMX650

With different additional tools  
and equipments, Powered by  
WM170F-1/P, WM177F-1/P  
gasoline engine.

## WMX770

Belt transmission, powered by  
WM186F/P gasoline engine of  
6.5Hp. Suitable for different land  
usage with 360 degree rotary  
handle bar.





# CLUTIVATOR SERIES

WEMA

## WMX720/A/B/BE

Powered by gasoline engine WM170F/P, it has a good reputation for its excellent function and performance. WM177F/P gasoline engine/WM178F diesel engine for optional.

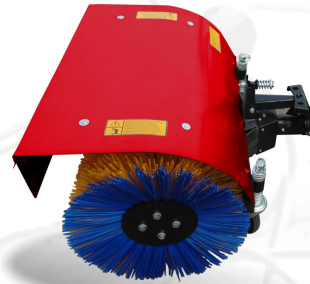


### SPECIFICATION

	Model	WM610	WMX650	WMX720	WMX770
	N.W / G.W	90/100	75/85	120/131	150/160
TILLER	Tilling width(mm)	1100	420-650	16,20,26	12,15,21,29,44
	Tilling depth(mm)	100-250	100-150	120/131	100-400
	Gear shifting	R,1,2,3	-2, -1,0,1,2	-2,-1,0,1,2,3	-2, -1,0,1,2 ,
	Driving model	belt/gear	gear	gear	gear
ENGINE	Engine model	WM178FS	WM170F-1	WM170F-2/P	WM186FB
	BoreStroke(mm)	78 × 62	70 × 55	70 × 55	86 × 72
	Displacement(ml)	296	212	212	418
	Max.output hp(kw)/rpm	5.8Hp/3600	7(5.0)Hp/3600	7(5.0)Hp/3600	9.5Hp/3600
	Max.torque N.m/rpm		11/2500	11/2500	6.3/1800
PACKING	Fuel tank capacity(L)	3.5	3.6	3.6	5.5
	Lube capacity(L)	1.1	0.6	0.6	1.65
	Dimension	1600 × 1100 × 1000	1280 × 440 × 730	1400 × 720 × 880	1760 × 710 × 1000
	20FT(set)				
	Certificate				



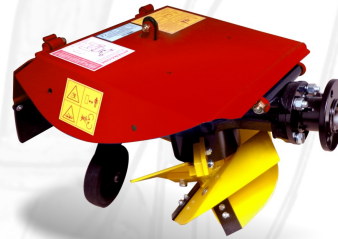
**Name: Snow Blower**  
 Matching model: WMX720 WMX610  
 Working width: 60~70cm  
 Working speed: 1200RPMs



**Name: Sweeper**  
 Driving Model: Shaft  
 Matching model: WMX720  
 Working Width: 75~100cm



**Name: Cutter-Mower**  
 Matching model: WMX610 WMX720  
 Driving model :Belt



**Name: Rotary Plow**  
 Matching model: WMX720  
 Driving model: shaft  
 Rotary speed: 300RPMs  
 Working width: 25cm  
 Working depth: 30cm  
 Gross weight: 48Kg



**Name: Mower A**  
 Matching model: WM900M  
 RATED SPEED: 3600r/min  
 Mowing height: 80mm  
 Mowing width: 800mm  
 N.W.: 25 KGS  
 Dimension: 955\*755\*310mm



**Name: Snow Blade**  
 Matching model: WMX610, WM1050  
 Driving model: shaft  
 Working width: 100cm



**Name: Grass Cutter**  
 Matching model: WM900M, WM1050, WM900 .  
 Driving model: belt  
 cutting width: 1100mm  
 Stubble leaving high: 20~40mm  
 cutting efficiency: 0.6~1 unit of area/hour  
 gross weight: 32kg



**Name: A-ditcher**  
 Matching model: WM610 WMX770(standard)  
 Driving model: gear, chain  
 Working Speed: 0.13~0.22m/s  
 Ditching width: 12~44cm

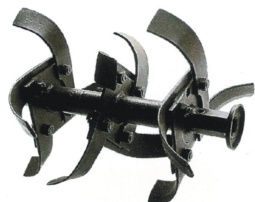


**Name: Radging Machine**  
 Matching model: WM610 WMX650 WMX770  
 Driving model: Gear  
 Ridging width: 500mm  
 Ridging height: 300mm  
 Working speed: 0.1~0.3m/s



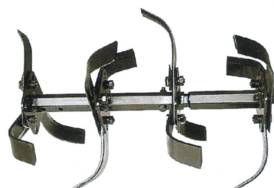
**WEIMA**

# BLADES AND WHEELS



## WM-1#

Name: Europe type 5# blade(4 pieces, 3 groups)  
Matching model: WM500 series(standard accessory)  
Tilling Depth: 100-250mm  
Tilling Scope: 350-600mm



## WM-2#

Name: Dry-land blade (3 pieces, 4 groups)  
Matching model: WM900 series(standard accessory)  
Tilling Depth: 150-300mm  
Tilling Scope: 700-1100mm



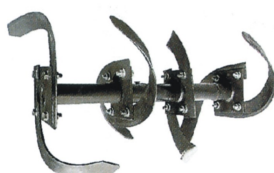
## WM-3#

Name: Europe type 1# blade  
Matching model: WM500 series  
Tilling Depth: 150-320mm  
Tilling Scope: 450-700mm



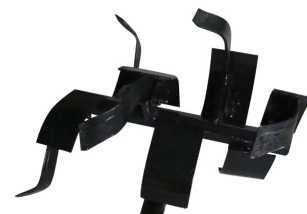
## WM-4#

Name: Deep hoe  
Matching model: WM900 series  
Tilling Depth: 180-380mm  
Tilling Scope: 700-1000mm



## WM-5#

Name: 2 pieces, 4 group wet-land blade  
Matching model: WM900 series  
Tilling Depth: 150-350mm  
Tilling Scope: 900-1000mm



## WM-6#

Name: Complex paddy blade  
Matching model: Wm900 series



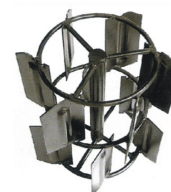
## WM-7#

Name: 4 pieces, 2 groups Dry-land blade  
Matching model: WM400 series (standard accessory)  
Tilling Depth: 150-250mm  
Tilling Scope: 360-430mm



## WM-8#

Name: Round blade  
Matching model :WM400 series(standard accessory),WM500 series



## WM-9#

Name:Interlaced paddy wheel  
Matching model: WM900 series  
Dimension:  $\phi=360$ mm  
L=390mm



## WM-10#

Name: Small interlaced paddy wheel  
Matching model: WM900 series  
Dimension:  $\phi=360$ mm L=390mm



## WM-11#

Name: Straight small paddy wheel  
Matching model: WM500 series  
Dimension:  $\phi=360$ mm L=340mm



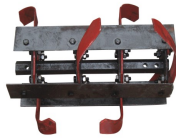
## WM-12#

Name: Interlaced paddy wheel (with teeth)  
Matching model: WM1100 series



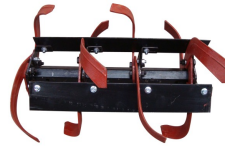
**WM-13#**

Name: Crawl (with teeth)  
Matching model: all the models



**WM-14#**

Name: Antiwind blade  
Matching model: WM900, series  
Application: be applied to grassy wet-land or paddy field



**WM-15#**

Name: Antiwind blade  
Matching model: WM1100 series  
Application: be applied to grassy wet-land or paddy field



**WM-16#**

Name: Dry-land blade  
Matching model: WM1100A/C series



**T-1#**

Name: Speed adjusting rod  
Matching model: WM500 series(standard accessory)



**T-2#**

Name: Dry-land speed adjusting rod  
Matching model: WM900 series(standard accessory)



**T-3#**

Name: Paddy field speed adjusting rod  
Matching model: WM900 series



**T-4#**

Name: Speed adjusting rod  
Matching model: WM500 series(standard accessory),and it connect with ditching blade.



**K-1#**

Name: Ditching blade  
Matching model: WM900 series  
Ditching depth: 120-250mm  
Ditching Scope: 200-330mm



**K-2#**

Name: Adjustable ditching blade  
Matching model: WM900/1100 series



**K-3#**

Name: Potato ditching blade  
Matching model: WM900/1100 series



**G-1#**

Name: Plough  
Matching model: WM900



**G-2#**

Name: Plough  
Matching model: WM900/WM1100 series



**L-1#**

Name: Small tyre  
Matching mode: WM500 series(standard accessory)  
Size: 3.50-4



**L-2#**

Name: Big tyre  
Matching model: WM900 series(optional accessory)  
Size: 4.00-8



**L-3#**

Name: "V" shape tyre  
Matching model: WM900 series(standard accessory)  
Size: 4.00-8



**L-4#**

Name: "V" shape tyre  
Matching model: WM500 series(optional accessory)  
Size: 3.50-6

# ● TRANSFER

# ● TRANSFERIR

# ● TRANSFÉRER

## Product characteristics:

- ◆ Compact and flexible with large loading capacity. A variety of gear selection. Easy operation.
- ◆ A caterpillar track will not chew grass up because of its small pressure. Excellent hill passage, terrain adaptation and climbing ability. It will not slip on sand and snow.
- ◆ Boards on both sides could be flat to extend bearing area. Back board can be removed to dump loads.





# TRANSFER



## SPECIFICATION

Model		7B-220A	
Machine weight (Kg)		156	
Loading capacity (Kg)		320	
Dimension	Lenght × width × height (mm)		1620 × 600 × 830
	Track length on the ground (mm)		650
	Track center distance (mm)		410
	Loading case bottom plate height (mm)		295
Loading case	Loading case internal dimensino	Lenght (mm)	850
		width (mm)	570
		height (mm)	290
	Dump type		manual
Dump angle ( ° )		60	
Model		WM168F/P	
Walking performance	Travel speeds	Forward 1 (Km/h)	0.5
		Forward 2 (Km/h)	0.8
		Forward 3 (Km/h)	1.3
		Forward 4 (Km/h)	1.8
		Forward 5 (Km/h)	3
		Forward 6 (Km/h)	4.9
		Reverse 1 (Km/h)	0.6
		Reverse 2 (Km/h)	2.3
	Minimum radius of gyration (m)		1.15
climbing ability angle ( ° )		25	
Brake type		Internal expanding	
Transmission lubricant		GL-4	
Transmission oil level (L)		1.5	
package dimension mm(lenght × width × height)		1270X760X1000	



- **MINI LOADER**
- **MINI LOADER**
- **MINI CHARGEUR**



### **Applications :**

Mainly used in construction field, farm, garden, dockyard, cabin, dock, workshop, warehouse, road, and Municipal Construction work of bucket transportation, digging, pushing, clawing, drilling, crashing, ditching, scarifying the soil, snow-blowing and so forth. It can also be supplementary tool for the bigger construction machinery for site cleaning, and project closeout.



# WEMA MINI LOADER

## WMD10 / WMDL10 ( Crawler type / Wheel type )

### Advantages:

- ★ Slippage type “Multi-functional loader” is driven by hydraulic power. It makes use of the wheel speed difference at two sides to realize turning function.
- ★ It is very suitable for narrow working environment and rough ground.
- ★ It is very easy to change from different attachments.
- ★ It has three engines to choose from: WM2V78F, WM290F, B&S2V77F.



B&S2V77F



WM2V78F



WM290F



### SPECIFICATION

Model	WMDL10(Wheel Type)	WMD10(Crawler Type)
Dimension	2000 × 1070 × 1340	
Weight	About 1000Kg	
Rated Power	21HP/15Kw	
Hydraulic System Rated Working Pressure	16Mpa	
Rated Working Flow	20L/min × 2	
Hydraulic Oil No.	No.46 anti-wear hydraulic	
Max.climbing Angle	20°	
Waiking Speed	0-10Km/h	
Fuel Tank/hydraulic Tank Capacity	23L/30L	
Wheel/clawler Specifications	6 × 6-8	180 × 72 × 39
Axle Diatance X Wheel Distance	740mm × 890mm	



# MINI LOADER **WEMA**



Hole Driller



Hydraulic Hammer



Claw



## SPECIFICATION

ITEMS	Length	Width	Height	Weight	Loading Volume	Ditching Width	Ditching Depth	Others	Remark
Excavator	1800mm	620mm	450mm	110kg	0.03m <sup>3</sup>	280mm	1200mm (Max.)	Maximum digging semidiameter: 2400mm	
Chain type Ditching Blades	1600mm	1000mm	900mm	138kg		160mm	500mm		
Forklift	1100mm	910mm	540mm	120kg				Loading capacity: 350kg	Fork length: 920mm
Hydraulic Hammer	1160mm	620mm	380mm	110kg				Working Hz: 10-13HZ	Hammer diameter: 45mm
Bucket	950mm	480mm	370mm	70kg	0.12m <sup>3</sup>			Loading capacity: 360kg	
Hole Driller	1150mm	610mm		90kg		Drilling diameter: 405mm	700mm	Torque : 1000 N.m	Rotation speed : 50rpm
Rotary Tiller	1335mm	540mm	375mm	98kg		1050mm	60-150mm	Blades quantity: 25pcs	
Snow Blower	1000mm	720mm	880mm	155kg		970mm	Blow snow thickness: 500mm	Snow blow ability: 40-50T/h	Blow snow adjustable angle: 360°
Snow Pusher	1100mm	680mm	500mm	120kg					Turning angle: ±30°
Claw	980mm	750mm	670mm	155kg					Maximum open degree: 800mm
Multi-function Bucket	1160mm	600mm	530mm	130kg	0.12m <sup>3</sup>			Loading capacity: 360kg	Openness degree: 110°

# PERFECT WEIMA, PERFECT LIFE

IMG\_8984.jpg

**WEIMA**<sup>®</sup>

**CHONGQING WEIMA POWER MACHINERY CO.,LTD.**  
**CHONGQING WEIMA AGRICULTURAL MACHINERY CO.,LTD.**

Address: Area B, Luohuang Industry Zone, Jiangjin District, Chongqing, China

Zip code: 402260

Tel: +86-(0)23-47633862

Fax: +86-(0)23-47633861

E-mail: [info@weimapower.com](mailto:info@weimapower.com)

Web site: [www.weimapower.com](http://www.weimapower.com)