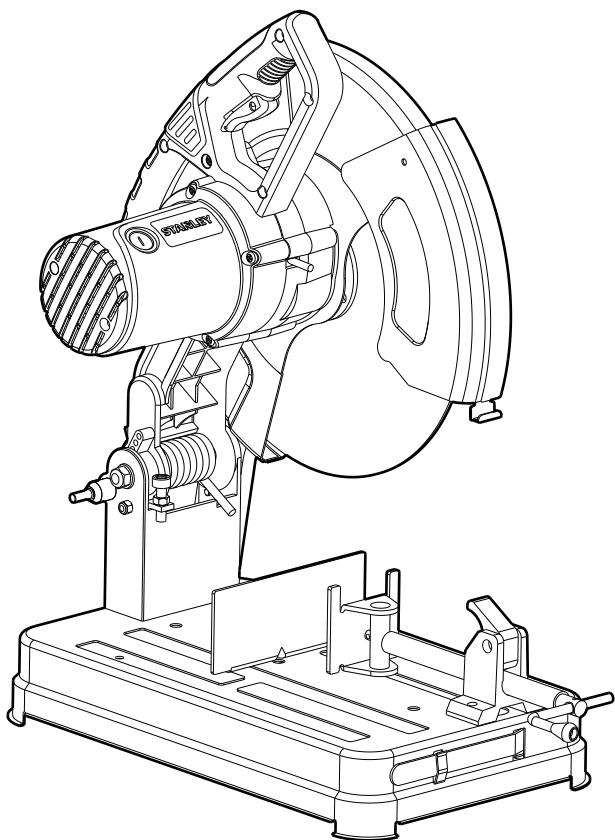
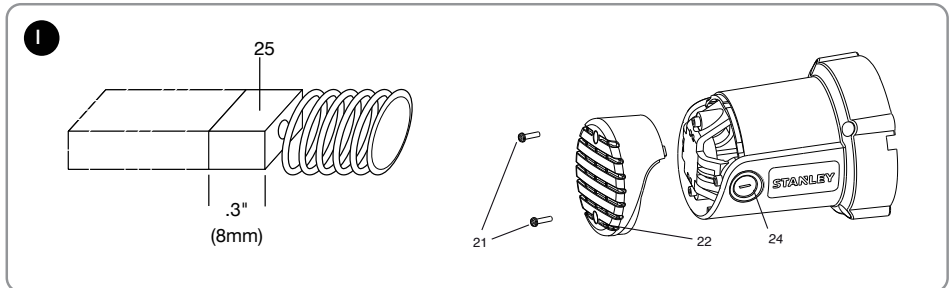
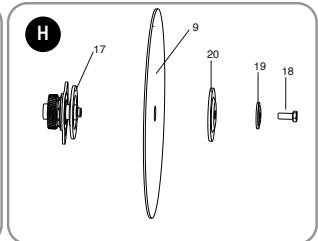
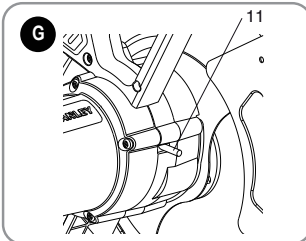
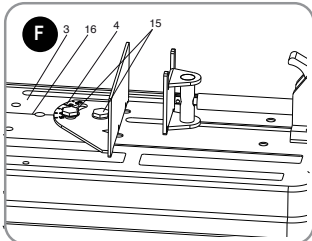
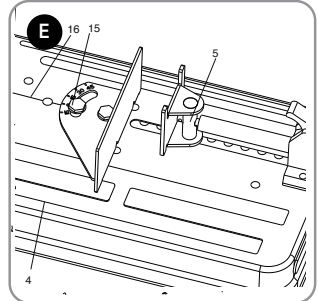
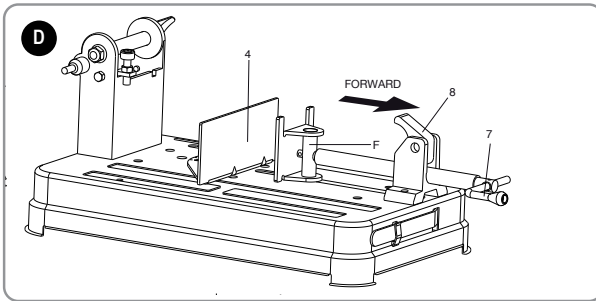
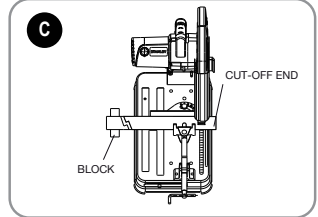
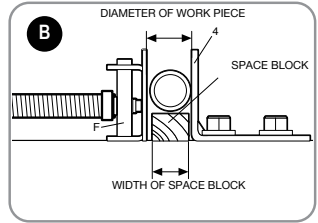
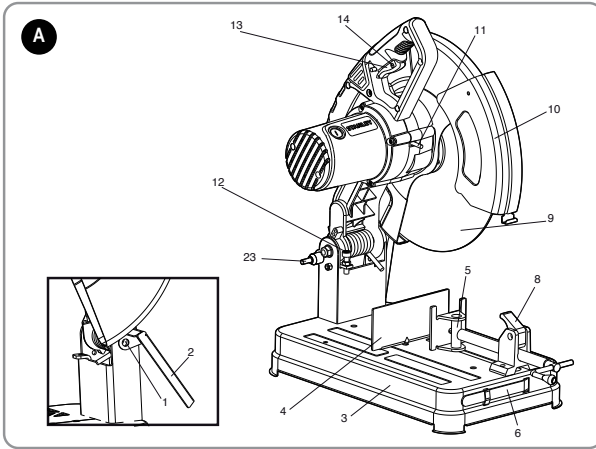


STANLEY®



SSC22

| | | |
|-----------|------|----|
| English | Page | 03 |
| Turkish | Page | 10 |
| Russian | Page | 18 |
| Ukrainian | Page | 27 |



Intended use

Your STANLEY SSC22 Chop Saw is intended to cut of variously shaped steel materials. This tool is intended for professional use.

SAFETY INSTRUCTIONS

General Power Tool Safety Warnings



WARNING! Read all safety warnings and all instructions. Failure to follow the warnings and instructions may result in electric shock, fire and/or serious injury.



WARNING! When using electric tools basic safety precautions should always be followed to reduce the risk of fire, electric shock and personal injury including the following. Read all these instructions before attempting to operate this product and save these instructions".

Save all warnings and instructions for future reference. The term "power tool" in the warnings refers to your mains-operated (corded) power tool or batteryoperated (cordless) power tool.

1. **Work area safety**
 - a. **Keep work area clean and well lit.** Cluttered and dark areas invite accidents.
 - b. **Do not operate power tools in explosive atmospheres, such as in the presence of flammable liquids, gases or dust.** Power tools create sparks which may ignite the dust or fumes.
 - c. **Keep children and bystanders away while operating a power tool.** Distractions can cause you to lose control.
2. **Electrical safety**
 - a. **Power tool plugs must match the outlet. Never modify the plug in any way. Do not use any adapter plugs with earthed (grounded) power tools.** Unmodified plugs and matching outlets will reduce risk of electric shock.
 - b. **Avoid body contact with earthed or grounded surfaces such as pipes, radiators, ranges and refrigerators.** There is an increased risk of electric shock if your body is earthed or grounded.
 - c. **Do not expose power tools to rain or wet conditions.** Water entering a power tool will increase the risk of electric shock.
 - d. **Do not abuse the cord. Never use the cord for carrying, pulling or unplugging the power tool. Keep cord away from heat, oil, sharp edges or moving parts.** Damaged or entangled cords increase the risk of electric shock.
 - e. **When operating a power tool outdoors, use an extension cord suitable for outdoor use.** Use of a cord suitable for outdoor use reduces the risk of electric shock.
 - f. **If operating a power tool in a damp location is unavoidable, use a residual current device (RCD) protected supply.** Use of an RCD reduces the risk of electric shock. NOTE: The term "residual current device (RCD)" may be replaced by the term "ground fault circuit interrupter (GFCI)" or "earth leakage circuit breaker (ELCB)".
3. **Personal safety**
 - a. **Stay alert, watch what you are doing and use common sense when operating a power tool. Do not use a power tool while you are tired or under the influence of drugs, alcohol or medication.** A moment of inattention while operating power tools may result in serious personal injury.
 - b. **Use personal protective equipment. Always wear eye protection.** Protective equipment such as dust mask, non-skid safety shoes, hard hat, or hearing protection used for appropriate conditions will reduce personal injuries.
 - c. **Prevent unintentional starting. Ensure the switch is in the off-position before connecting to power source and/or battery pack, picking up or carrying the tool.** Carrying power tools with your finger on the switch or energising power tools that have the switch on invites accidents.
 - d. **Remove any adjusting key or wrench before turning the power tool on.** A wrench or a key left attached to a rotating part of the power tool may result in personal injury.
 - e. **Do not overreach. Keep proper footing and balance at all times.** This enables better control of the power tool in unexpected situations.
 - f. **Dress properly. Do not wear loose clothing or jewellery. Keep your hair, clothing and gloves away from moving parts.** Loose clothes, jewellery or long hair can be caught in moving parts.
 - g. **If devices are provided for the connection of dust extraction and collection facilities, ensure these are connected and properly used.** Use of these devices can reduce dust related hazards.
4. **Power tool use and care**
 - a. **Do not force the power tool. Use the correct power tool for your application.** The correct power tool will do the job better and safer at the rate for which it was designed.
 - b. **Do not use the power tool if the switch does not turn it on and off.** Any power tool that cannot be controlled with the switch is dangerous and must be repaired.
 - c. **Disconnect the plug from the power source and/or the battery pack from the power tool before making any adjustments, changing accessories, or storing power tools.** Such preventive safety measures reduce the risk of starting the power tool accidentally.
 - d. **Store idle power tools out of the reach of children and do not allow persons unfamiliar with the power tool or these instructions to operate the power tool.** Power tools are dangerous in the hands of untrained users.
 - e. **Maintain power tools. Check for misalignment or binding of moving parts, breakage of parts and any other condition that may affect the power tools operation. If damaged, have the power tool repaired before use.** Many accidents are caused by poorly maintained power tools.

ENGLISH (Original instructions)

- f. **Keep cutting tools sharp and clean.** Properly maintained cutting tools with sharp cutting edges are less likely to bind and are easier to control.
- g. **Use the power tool, accessories and tool bits etc. in accordance with these instructions, taking into account the working conditions and the work to be performed.** Use of the power tool for operations different from those intended could result in a hazardous situation.
5. **Service**
- a. **Have your power tool serviced by a qualified repair person using only identical replacement parts.** This will ensure that the safety of the power tool is maintained.

CHOPSAW SAFETY WARNINGS









- **Always wear proper eye and respiratory protection.**
- **Before using, inspect the cutting wheel for cracks or flaws. If such a crack or flaw is evident, discard the wheel. The wheel should also be inspected whenever you think the tool may have been dropped.** Flaws may cause wheel breakage.
- **When starting the tool with a new or replacement wheel or if you are unsure of the condition of the wheel, hold the tool in a well protected area and let it run for one minute.** If the wheel has an undetected crack or flaw, it should burst in less than one minute. Never start the tool with a person in line with the wheel. This includes the operator.
- **In operation, avoid bouncing the wheel or giving it rough treatment.** If this occurs, stop the tool and inspect the wheel for cracks or flaws.
- **Clean your chop saw periodically following the procedure in this manual.**
- **Do not remove wheel guards or base.**
- **ALWAYS USE THE VISE OR SPECIAL FIXTURE TO CLAMP WORK SECURELY.** Other aids such as spring, bar, or C-clamps may be appropriate for certain sizes and shapes of workpiece. Use care in selecting and placing these clamps and make a dry run before making a cut.
- Use only 14" type 1 wheels rated at 4100 rpm or higher.
- Allow cut off parts to cool before handling.
- Do not attempt to cut wood or plastic with this tool.
- **NEVER CUT MAGNESIUM WITH THIS TOOL.**
- In case of workpiece fragments jammed between saw blade and guards, disconnect the machine from the power supply. Remove the jammed parts and reassembling the saw blade.
- Use chop saw in a well-ventilated area.
- Turn chop saw off before removing any pieces from the base.
- **DO NOT CUT ELECTRICALLY LIVE MATERIAL.**
- **Do not use circular saw blades or any other toothed blades with this tool.** Serious injury may result.
- **DO NOT OPERATE THIS TOOL NEAR FLAMMABLE LIQUIDS, GASES OR DUST.** Sparks or hot chips from cutting or arcing motor brushes may ignite combustible materials.
- Do not use the side of the abrasive wheel as a deburring

grinder. This will substantially weaken the wheel creating an unsafe condition. The wheel may come apart.

- **CAUTION: Wear appropriate hearing protection during use.** Under some conditions and duration of use, noise from this product may contribute to hearing loss.
- **CAUTION: Spark deflector will get hot.** Avoid touching or adjusting while hot. Keep cordset and materials away from spark deflector.
- **Avoid prolonged contact with dust from power sanding, sawing, grinding, drilling, and other construction activities.** Wear protective clothing and wash exposed areas with soap and water. Allowing dust to get into your mouth, eyes, or lay on the skin may promote absorption of harmful chemicals.
- **WARNING: Always use NIOSH/OSHA approved respiratory protection appropriate for the dust exposure.** Direct particles away from face and body. For your convenience and safety, the following warnings are on your Heavy-Duty 14" (355mm) Chop Saw:
- **FOR SAFE OPERATION READ THE INSTRUCTION MANUAL.**
- **DO NOT USE TOOTHED BLADES.**
- **USE ONLY REINFORCED WHEELS RATED 4100 RPM OR HIGHER.**
- **WHEN SERVICING USE ONLY IDENTICAL REPLACEMENT PARTS.**
- **ALWAYS: WEAR EYE PROTECTION, USE GUARDS, CLAMP WORK IN VISE, USE PROPER RESPIRATORY PROTECTION.**
- **ALWAYS STORE CUTTING DISCS WELL- PROTECTED AND IN A DRY PLACE, OUT OF REACH OF CHILDREN**
- **ONLY USE CHOP SAW WHEEL OF A MAX. THICKNESS OF 3.0 MM AND A MAX. DIAMETER OF 355mm.**

LABELS ON TOOL

The following symbols are shown on the tool along with date code:

| | | | |
|---|---|---|---|
|  | WARNING! To reduce the risk of injury, the user must read the instruction manual before use. | | |
|  | Wear ear protection. | | |
|  | Wear safety glasses or goggles. | | |
| V | Volts |  | Direct Current |
| A | Amperes | n_0 | No-Load Speed |
| Hz | Hertz |  | Class II Construction |
| W | Watts |  | Earthing Terminal |
| min | minutes |  | Safety Alert Symbol |
|  | Alternating Current | /min. | Revolutions or Reciprocation per minute |

Position of Date Code

The Date Code, which also includes the year of manufacture, is printed into the housing.

Example:

2017 XX JN
Year of manufacturing

PACKAGE CONTENTS

The package contains:

- 1 Chopsaw
 - 1 355mm Metal Cutting Abrasive Wheel
 - 1 Wheel Wrench
 - 1 Instruction Manual
- Check for damage to the tool, parts or accessories which may have occurred during transport.
 - Take the time to thoroughly read and understand this manual prior to operation.

ELECTRICAL SAFETY

Your tool is double insulated; therefore no earth wire is required. Be sure to check that the power supply corresponds to the voltage on the rating plate.



If the supply cord is damaged, it must be replaced by the manufacturer or an authorised STANLEY Service Centre in order to avoid a hazard.

USING AN EXTENSION CABLE

If it is necessary to use an extension cable, please use an approved extension cable that fits the tool's power input specifications. The minimum cross-sectional area of the conducting wire is 1.5 sq. mm. Cables should be untangled before reeling up.

| Cable cross-sectional area (mm ²) | Cable rated current (Ampere) |
|---|------------------------------|
| 0.75 | 6 |
| 1.00 | 10 |
| 1.50 | 15 |
| 2.50 | 20 |
| 4.00 | 25 |

| Cable length (m) | | | | | | |
|------------------|-----|----|----|----|----|----|
| | 7.5 | 15 | 25 | 30 | 45 | 60 |

| Voltage | Amperes | Cable rated current (Ampere) | | | | | |
|---------|-------------|------------------------------|----|----|----|----|----|
| 115 | 0 - 2.0 | 6 | 6 | 6 | 6 | 6 | 10 |
| | 2.1 - 3.4 | 6 | 6 | 6 | 6 | 15 | 15 |
| | 3.5 - 5.0 | 6 | 6 | 10 | 15 | 20 | 20 |
| | 5.1 - 7.0 | 10 | 10 | 15 | 20 | 20 | 25 |
| | 7.1 - 12.0 | 15 | 15 | 20 | 25 | 25 | - |
| | 12.1 - 20.0 | 20 | 20 | 25 | - | - | - |

| | | | | | | | |
|-----|-------------|----|----|----|----|----|----|
| 230 | 0 - 2.0 | 6 | 6 | 6 | 6 | 6 | 6 |
| | 2.1 - 3.4 | 6 | 6 | 6 | 6 | 6 | 6 |
| | 3.5 - 5.0 | 6 | 6 | 6 | 6 | 10 | 15 |
| | 5.1 - 7.0 | 10 | 10 | 10 | 10 | 15 | 15 |
| | 7.1 - 12.0 | 15 | 15 | 15 | 15 | 20 | 20 |
| | 12.1 - 20.0 | 20 | 20 | 20 | 20 | 25 | - |

FEATURES (FIG. 1, 4)

This tool includes some or all of the following features.

1. Spark Deflector Screw
2. Spark Deflector
3. Base
4. Fence
5. Vise
6. Polygonal Wrench
7. Crank
8. Vise Level
9. Wheel
10. Guard
11. Spindle Lock
12. Depth Stop Bolt and Jam Nut
13. Trigger Switch with On/off
14. Padlock Hole
15. Fence Bolts
23. Lock Pin

POWER SUPPLY

Be sure your power supply agrees with the nameplate marking. A voltage decrease of more than 10% will cause a loss of power and overheating.

CUTTING CAPACITY

The wide vise opening and high pivot point provide cutting capacity for many large pieces. Use the cutting capacity chart to determine total maximum size of cuts that can be made with a new wheel.



CAUTION: CERTAIN LARGE, CIRCULAR OR IRREGULARLY SHAPED OBJECTS MAY REQUIRE ADDITIONAL HOLDING MEANS IF THEY CANNOT BE HELD SECURELY IN VISE.



CAUTION: DO NOT CUT MAGNESIUM WITH THIS TOOL.

MAXIMUM CUTTING CAPACITY

NOTE: Capacity shown on chart assumes no wheel wear and optimum fence position.

| | | | | |
|-------------------|--------------------|---------------------|--|--------------------|
| Workpiece Shape: | | | | |
| 90° Cutting Angle | A = 125mm (4-7/8") | A = 115mm (4-1/2") | 115mm x 130mm (4-1/2" x 5-1/8") 102mm x 178mm (4" x 7") 76mm x 204mm (3" x 8") | A = 120mm (4-3/4") |
| 45° Cutting Angle | A = 115mm (4-1/2") | A = 98mm (3-13/16") | 95mm x 105mm (3-3/4" x 4-1/8") | A = 105mm (4-1/8") |

To Carry (fig. A)

Fold down unit to position where you can carry the saw. Push in lock pin (23) to lock arm down.

Installation Instruction (fig. C)

Fix the tool on a stable position through fix holes by using 2 M10 bolts.

Un Locking (fig. A)

To unlock tool and raise head, depress motor arm slightly and pull lock pin (23) out. Motor arm will then pivot upward.

Spark Deflector Adjustment (fig. A)

To best deflect sparks away from surrounding persons and materials, loosen the screw (1), adjust the spark deflector (2) and then retighten screw. Do not allow cordset to come into contact with deflector or sparks as damage to cordset may occur.

Depth Stop (fig. A)

Depth stop is set at the factory for a new 14" wheel to prevent wheel from cutting into the supporting surface. To allow more depth of cut, use the wrench (no provided) to loosen the depth stop bolt (12) and raise bolt to desired height and then turn jam nut (12) clockwise until seated firmly on the casting. Securely tighten the depth stop bolt before use.



CAUTION: When changing to a new wheel, readjust depth stop to original position to prevent cutting into supporting surface.

Trigger Switch with Lock-on (fig. A)

To start the tool, depress the trigger switch (13), then push lock on button to keep tool running. To turn the tool off, depress the trigger again and release the trigger switch. Keep hands and material from wheel until it has coasted to a stop. To prevent unauthorized use of tool, install a standard padlock (not included) into the padlock hole (14) located in the trigger.

MATERIAL CLAMPING AND SUPPORTING

- Angles are best clamped and cut with both legs resting against base.
- A spacer block slightly narrower than the work piece can

be used to increase wheel utilization (Fig. B).

- Long work pieces must be supported by a block so it will be level with top of base (Fig. C). The cut off end should be free to fall downward to avoid wheel binding.

Vise Operation (fig. D)

The vise (5) has a quick-travel feature. To release the vise when it is clamped tightly, turn the crank (7) counterclockwise one or two times to remove clamping pressure.

Lift vise lever (8) up. Pull crank assembly out as far as desired. Vise may be pushed forward into work without cranking. Lower vise lever (8) then tighten vise (5) on work by using crank (7).

Fence Operation (fig. E, F)



CAUTION: Turn off and unplug the tool before making any adjustments or removing or installing attachments or accessories. Be sure the trigger switch is in the OFF position. The fence (4) can be adjusted two ways: to change desired cutting angle and to change spacing between the fence and vise.

To Change the Desired Cutting Angle

Use the wrench provided to loosen (do not remove) the two fence bolts (15). Align the desired angle indicator line with the slot line (16) in the base (3). Securely tighten both fence bolts before use. For more accurate square cuts, disconnect the power supply, loosen the two fence bolts, push arm down until wheel extends into base. Place a square against the wheel and adjust fence against the square. Securely tighten both fence bolts before use. When making a miter cut, the vise (5) may not clamp securely, depending on the thickness of the workpiece and the miter angle. Other aids (such as spring, bar or C-clamps) will be necessary to secure the work piece to the fence when making these cuts.

To Change Spacing between The Fence and Vise

Using the wrench provided, loosen and remove the two fence bolts (15). Adjust the fence (4) to desired locations. Insert both fence bolts in provided locations. Securely tighten both fence bolts before use.

Removal and Installation of Wheels (fig. G, H)



CAUTION: Turn off and unplug the tool before making any adjustments or removing or installing attachments or accessories. Be sure the trigger switch is in the OFF position. Do not make any adjustment while the wheel is in motion. Do not make any adjustment while chop saw is plugged into power supply.

1. Push in spindle lock (11) and rotate wheel (9) by hand until wheel lock lever engages slot in inside flange (17) to lock wheel. Loosen the bolt (18) counterclockwise in the center of the abrasive wheel with the M10 Polygonal wrench (6). Bolt has right-hand thread.

- Remove the bolt (18), washer (19), outside flange (20) and old wheel (9).
- Make sure flange surfaces are clean and flat. Install the new abrasive wheel by reversing the above steps.
- Do not overtighten bolt.



WARNING: Check the work surface that the chop saw rests on when replacing with a new abrasive wheel. It is possible that the wheel may contact ANY ITEMS OR STRUCTURE THAT EXTENDS ABOVE work surface (under the base) when the arm is fully lowered.

WARNING: Always keep the screw attached to the guard and make sure the center guard in the right position after replacing wheel and before use, to protect user from high speed rotating wheel.

Operation Tips for More Accurate Cuts

- Allow the wheel to do the cutting. Excessive force will cause the wheel to glaze reducing cutting efficiency and/or to deflect causing inaccurate cuts.
- Properly adjust fence angle.
- Make sure material is laying flat across base.
- Properly clamp material to avoid movement and vibration.

Motor Brush Inspection and Replacement (fig.1)



WARNING: Turn off and unplug the tool. Be sure the trigger switch is in the OFF position. Brushes should be regularly inspected for wear. To inspect brushes, unscrew the two end cap screws (21) and remove end cap (22). Remove brush cap (24). Brushes (25) should slide freely in brush box. If brushes are worn down to .3" (8mm) as shown in Figure 1 they should be replaced. To reinstall, push new brush back into brushbox. If replacing existing brush, maintain same orientation as when removed. Replace the brush cap (do not overtighten). Replace end cap and two screws. Tighten securely.

Tool Care

Avoid overloading the machine. Overloading will result in a considerable reduction in speed and efficiency and the unit will become hot. In this event, run the machine at no load for a minute or two until cooled to normal working temperature by the built in fan. Switching your machine on and off whilst under load will considerably reduce the life of the switch.

Important

To ensure product SAFETY and RELIABILITY, repairs, maintenance and adjustment (other than those listed in this manual) should be performed by authorized service centers or other qualified organizations, always using identical replacement parts. Unit contains no user serviceable parts inside. Blowing dust and grit out of the main housing by means of an air hose is recommended and may be done as often as dirt is seen collecting in and around the air vents. Always wear proper eye and respiratory protection.

NOTE: Unit may be converted to a 3-wire twist lock cord set at an authorized service center.

MAINTENANCE

Your STANLEY corded/cordless appliance/tool has been designed to operate over a long period of time with a minimum of maintenance. To ensure satisfactory operations, the tool must be maintained and cleaned regularly



WARNING: To reduce the risk of injury, turn unit off and disconnect machine from power source before installing and removing accessories, before adjusting or changing set-ups or when making repairs. Be sure the trigger switch is in the OFF position. An accidental start-up can cause injury.

- This machine is not user-serviceable. If problems occur contact an authorized repair agent.
- The tool will automatically switch off when the carbon brushes are worn.

WARNING! Before performing any maintenance on corded/cordless power tools:

- Switch off and unplug the appliance/tool.
- Or switch off and remove the battery from the appliance/tool if the appliance/tool has a separate battery pack.
- Or run the battery down completely if it is integral and then switch off.
- Unplug the charger before cleaning it. Your charger does not require any maintenance apart from regular cleaning.
- Regularly clean the ventilation slots in your appliance/tool/ charger using a soft brush or dry cloth.
- Regularly clean the motor housing using a damp cloth. Do not use any abrasive or solvent-based cleaner.
- Regularly open the chuck and tap it to remove any dust from the interior (when fitted).

Lubrication



Stanley power tools are properly lubricated at the factory and are ready for use. Tools should be relubricated regularly, depending on usage. This lubrication should only be attempted by trained power tool repair persons, such as those at Stanley service centers or by other qualified service personnel.

Closed-type, grease-sealed ball bearings are used throughout. These bearings have sufficient lubrication packed in them at the factory to last the life of the chop saw.

Cleaning



Warning: unplug the tool before you use a cloth to clean the housing. With the motor running, blow dirt and dust out of all air vents with dry air at least once a week. Wear safety glasses when performing this. Exterior plastic parts may be cleaned with a damp cloth and mild detergent. Although these parts are highly solvent resistant, NEVER use solvents.



Blowing dust and grit out of the main housing by means of an air hose is recommended and may be done as often as dirt is seen collecting in and around the air vents. Always wear proper eye and respiratory protection.

ACCESSORIES

The performance of any power tool is dependent upon the accessory used. Stanley accessories are engineered to high quality standards and are designed to enhance the performance of power tool.

Note: Accessory must be rated for use at speed equal to or higher than nameplate RPM of tool with which it is being used.



CAUTION: The use of any other accessory not recommended for use with this tool could be hazardous. Use only high-strength Type 1 organic bonded wheels rated 4100 rpm or higher. Recommended accessories for use with your tool are available at extra cost from your local dealer or authorized service center.

Protecting the Environment



Separate collection. This product must not be disposed of with normal household waste.

Should you find one day that your STANLEY product needs replacement, or if it is of no further use to you, do not dispose of it with household waste. Make this product available for separate collection.



STANLEY provides a facility for the collection and recycling of STANLEY products once they have reached the end of their working life. To take advantage of this service please return your product to any authorised repair agent who will collect them on our behalf.

You can check the location of your nearest authorised repair agent by contacting your local STANLEY office at the address indicated in this manual. Alternatively, a list of authorised STANLEY repair agents and full details of our after-sales service and contacts are available on the Internet at: www.2helpU.com.

Notes

STANLEY's policy is one of continuous improvement to our products and as such, we reserve the right to change product specifications without prior notice.

Standard equipment and accessories may vary by country.

Product specifications may differ by country.

Complete product range may not be available in all countries. Contact your local STANLEY dealers for range availability.

TECHNICAL DATA

| CHOP SAW | | SSC22 |
|---------------|-----|---------|
| Voltage | V | 220-240 |
| Frequency | Hz | 50/60 |
| Power input | W | 2200 |
| No-load speed | min | 3800 |
| Max diameter | mm | 355 |
| Weight | kg | 15.5 |

Level of sound pressure according to EN 60745:

Sound pressure (L_{pA}) 87.0 dB(A), uncertainty (K) 3 dB(A)
 Sound power (L_{WA}) 107.5 dB(A), uncertainty (K) 3 dB(A)

Vibration emission value ah:

ah = m/s^2 4.9
 Uncertainty K = m/s^2 1.5

Vibration

The declared vibration emission values stated in the technical data and the declaration of conformity have been measured in accordance with a standard test method provided by EN 61029 and may be used for comparing one tool with another. The declared vibration emission value may also be used in a preliminary assessment of exposure.

Warning! The vibration emission value during actual use of the power tool can differ from the declared value depending on the ways in which the tool is used. The vibration level may increase above the level stated.

When assessing vibration exposure to determine safety measures required by 2002/44/EC to protect persons regularly using power tools in employment, an estimation of vibration exposure should consider, the actual conditions of use and the way the tool is used, including taking account of all parts of the operating cycle such as the times when the tool is switched off and when it is running idle in addition to the trigger time.

EC declaration of conformity
MACHINERY DIRECTIVE



SSC22 Chop Saw

STANLEY declares that these products described under "technical data" are in compliance with: 2006/42/EC, EN 61029-1:2009+A11:2010, EN 61029-2-10:2010 +A11:2013

These products also comply with Directive 2014/30/EU and 2011/65/EU.

For more information, please contact STANLEY at the following address or refer to the back of the manual.

The undersigned is responsible for compilation of the technical file and makes this declaration on behalf of STANLEY.

R.Laverick
Engineering Manager
STANLEY , Europe, Egide Walschaertsstraat14-18,
2800 Mechelen, Belgium
06.2017

TWO YEAR WARRANTY

If your STANLEY product becomes defective due to faulty materials or workmanship within 24 months from the date of purchase, STANLEY guarantees to replace all defective parts free of charge or – at our discretion – replace the unit free of charge provided that:

- The product has not been misused and has been used in accordance with the instruction manual;
- The product has been subject to fair wear and tear;
- Repairs have not been attempted by unauthorized persons;
- Proof of purchase is produced.
- The STANLEY product is returned complete with all original components
- The product hasn't been used for hire purposes

If you wish to make a claim, contact your seller or check the location of your nearest authorised STANLEY repair agent in the STANLEY catalogue or contact your local STANLEY office at the address indicated in this manual. A list of authorised STANLEY repair agents and full details of our after sales service is available on the internet at: www.2helpU.com

Kullanım amacı

STANLEY SSC22 Profil kesmeniz, değişik şekillerdeki çelik malzemelerin kesimi için tasarlanmıştır. Bu alet profesyonel kullanım içindir.

GÜVENLİK TALİMATLARI**Elektrikli el aletleri için genel güvenlik talimatları**

UYARI! Bütün güvenlik uyarılarını ve talimatlarını mutlaka okuyun. Bu uyarılar ve talimatların herhangi birisine uyulmaması elektrik çarpması, yangın ve/veya ciddi yaralanma riskine neden olabilir.



!! UYARI! Elektrikli aletlerle çalışırken yangın oluşma riski, elektrik çarpması ve kişilerin yaralanması önlemek için burada belirtilen güvenlik talimatlarına uyulmalıdır. Bu ürünü kullanmadan önce tüm bu talimatları okuyun ve kaydedin.

Bütün uyarı ve güvenlik talimatlarını ileride bakmak üzere saklayın. Uyarılarda yer alan «elektrikli alet» terimi şebeke elektrifiyle (kablolu) veya akü/pille (şarjlı) çalışan elektrikli aletinizi ifade etmektedir.

1. Çalışma alanının güvenliği

- Çalışma alanını temiz ve aydınlık tutun.** Dağınık ve karanlık alanlar kazaya davetiye çıkarır.
- Elektrikli aletleri, yanıcı sıvılar, gazlar ve tozların bulunduğu yerler gibi yanıcı ortamlarda çalıştırmayın.** Elektrikli aletler, toz veya dumanları ateşleyebilecek kıvılcımlar çıkarır.
- Bir elektrikli aleti çalıştırırken çocuklardan ve etraftaki kişilerden uzak tutun.** Dikkatinizi dağıtıcı şeyler kontrolü kaybetmenize neden olabilir.

2. Elektrik güvenliği

- Elektrikli aletlerin fişleri prizlere uygun olmalıdır. Fiş üzerinde kesinlikle hiçbir değişiklik yapmayın. Topraklı (topraklanmış) elektrikli aletlerde hiçbir adaptor fişi kullanmayın.** Değiştirilmemiş fişler ve uygun prizler elektrik çarpması riskini azaltacaktır.
- Borular, radyatörler, ocaklar ve buzdolapları gibi topraklanmış yüzeylerle vücut temasından kaçının.** Vücudunuzun topraklanması halinde yüksek elektrik çarpması riski vardır.
- Elektrikli aletleri yağmura maruz bırakmayın veya ıslatmayın.** Elektrikli alete su girmesi, elektrik çarpması riskini artıracaktır.
- Kablosuna zarar vermeyin. Elektrikli aleti kesinlikle kablodan tutarak taşımayın, çekmeyin veya prizden çıkarmayın. Kabloyu sıcağın, yağdan, keskin kenarlardan veya hareketli parçalardan uzak tutun.** Hasarlı veya dolaşmış kablolar elektrik çarpması riskini artırır.
- Elektrikli aleti açık havada kullanırken, açık hava kullanımına uygun bir uzatma kablosu kullanın.** Açık

havada kullanıma uygun bir kablonun kullanılması elektrik çarpması riskini azaltır.

- Eğer bir elektrikli aleti nemli bir bölgede çalıştırmaya zorluyorsa, bir artık akım aygıtı (RCD) korumalı bir kaynak kullanın.** Bir RCD kullanılması elektrik çarpması riskini azaltır. NOT: «Artık Akım Aygıtı (RCD)» tanımı, «Kaçak Akım Koruma Cihazı (GFCI)» veya «Toprak Kaçağı Devre Kesici (ELCB)» tanımları ile değiştirilebilir.
- Kişisel güvenlik**
 - Elektrikli bir alet kullanırken her zaman dikkatli olun, yaptığınız işe yoğunlaşın ve sağduyulu davranın. Elektrikli bir aleti yorgunken veya ilaç ya da alkolün etkisi altındayken kullanmayın.** Elektrikli aletleri kullanırken bir anlık dikkatsizlik ciddi yaralanmalara yol açabilir.
 - Kişisel koruyucu ekipmanları mutlaka kullanın.** Daima koruyucu gözlük takın. Koşullara uygun toz maskesi, kaymayan güvenlik ayakkabıları, baret veya kulaklık gibi koruyucu donanımların kullanılması kişisel yaralanmaları azaltacaktır.
 - İstem dışı çalıştırılmasını önleyin. Cihazı güç kaynağına ve/veya aküye bağlamadan, kaldırmadan veya taşımadan önce düğmenin kapalı konumda olduğundan emin olun.** Aleti, parmağınız düğme üzerinde bulunacak şekilde taşımak veya açık konumdaki elektrikli aletleri elektrik şebekesine bağlamak kazaya davetiye çıkarır.
 - Elektrikli aleti çalıştırmadan önce herhangi bir ayarlama anahtarını veya vida anahtarını çıkarın.** Elektrikli aletin hareketli parçasına takılı bırakılan bir vida anahtarı veya anahtar, kişisel yaralanmaya neden olabilir.
 - Ulaşmakta zorlandığımız yerlerde kullanmayın. Her zaman sağlam ve dengeli basın.** Bu, beklenmedik durumlarda elektrikli aletin daha iyi kontrol edilmesine olanak tanır.
 - Uygun şekilde giyinin. Bol giysiler giymeyin ve takı takmayın. Saçınızı, giysinizi ve eldivenlerinizi hareketli parçalardan uzak tutun.** Bol giysiler, takılar veya uzun saçlar hareketli parçalara takılabilir.
 - Eğer kullandığınız üründe toz emme ve toplama özellikleri olan ataşmalar varsa bunların bağlı olduğundan ve doğru şekilde kullanıldığından emin olun.** Bu toz toplama ataşmaların kullanılması tozla ilgili tehlikeleri azaltabilir.
 - Elektrikli aletlerin kullanımı ve bakımı**
 - Elektrikli aleti zorlamayın. Uygulamanız için doğru elektrikli aleti kullanın.** Doğru elektrikli alet, belirlendiği kapasite ayarında kullanıldığında daha iyi ve güvenli çalışacaktır.
 - Düğme açmıyor ve kapatmıyorsa elektrikli aleti kullanmayın.** Düğmeyle kontrol edilemeyen tüm elektrikli aletler tehlikelidir ve tamir edilmesi gerekmektedir.

- c. Herhangi bir ayarlama, aksesuar değişimi veya elektrikli aletlerin saklanması öncesinde fişi güç kaynağından çekin. Bu tür önleyici güvenlik tedbirleri aletin istem dışı çalıştırılması riskini azaltır.
- d. Elektrikli aleti, çocukların ulaşamayacağı yerlerde saklayın ve elektrikli aleti tanımayan veya bu talimatları bilmeyen kişilerden elektrikli aleti kullanımına izin vermeyin. Elektrikli aletler, eğitimsiz kullanıcıların elinde tehlikelidir.
- e. Elektrikli aletlerin bakımını yapın. Hareketli parçalardaki hizalama hatalarını ve tutuklukları, parçalardaki kırılmalar ve elektrikli aletin çalışmasını etkileyebilecek tüm koşulları kontrol edin. Hasarlı ise, elektrikli aleti kullanmadan önce tamir ettirin. Kazaların çoğu, elektrikli aletlerin bakımının yeterli şekilde yapılmamasından kaynaklanır.
- f. Kesim aletlerini keskin ve temiz tutun. Bakımı uygun şekilde yapılmış keskin kesim uçlu kesim aletlerinin sıkışma ihtimali daha düşüktür ve kontrol edilmesi kolaydır.
- g. Elektrikli aleti, aksesuarlarını ve aletin diğer parçalarını vs. kullanırken bu talimatlara mutlaka uyun ve elektrikli alet türü için öngörüldüğü şekilde, çalışma ortamının koşullarını ve yapılacak işin ne olduğunu göz önünde bulundurun. Elektrikli aletin öngörülen işlemler dışındaki işlemler için kullanılması tehlikeli durumlara neden olabilir.

5. Servis

- a. Elektrikli aletinizi, sadece orijinal yedek parçaları kullanıldığı yetkili servise tamir ettirin. Bu, elektrikli aletin güvenliğinin muhafaza edilmesini sağlayacaktır.

PROFİL KESME İÇİN GÜVENLİK UYARILARI

- Her zaman koruyucu gözlük ve solunum korumasını kullanın.
- Kullanmadan önce, kesme diskinde herhangi bir çatlak ya da yarık olup olmadığını kontrol edin. Üzerinde çatlak ya da yarık olan kesme diskini atın. Aletin düşmüş olabileceğini düşünüyorsanız her zaman kesme diski kontrol edin. Çatlaklar veya yarıklar disk kırılmasına neden olabilir.
- Yeni veya değiştirilmiş diski taktıktan sonra veya diskin durumundan emin değilseniz aleti iyi korunmuş bir alana yerleştirin ve bir dakika boyunca çalışmasına izin verin. Diskte fark edilmemiş bir çatlak ya da yarık varsa, bir dakikadan daha kısa bir süre içinde disk kırılacaktır. Disk ile aynı hizada insanlar varsa, aleti asla çalıştırmayın. Bu koşul kullanıcı için de geçerlidir.
- Çalışma esnasında, diskin yerinden oynamasını engelleyin veya diski zorlamayın. Aksi olursa, aleti durdurun ve diskinde herhangi bir çatlak ya da yarık olup olmadığını kontrol edin.
- Bu kılavuzdaki prosedürü izleyerek periyodik olarak profil kesmenizi temizleyin.
- Disk muhafazası veya tabanı çıkartmayın.
- MALZEMEYİ SABİTLEMEK İÇİN HER ZAMAN

MENGENE VEYA BAŞKA BAĞLANTI EKİPMANLARINI KULLANIN. Yay, pala veya C-kelepçe gibi diğer yardımcı ekipmanlar iş parçasının boyutlara ve şekillere uygun olmalıdır. Bu kelepçelerin seçim ve yerleştirme sırasında dikkatli olun ve bir asıl kesim yapmadan önce deneme çalışmasını yapın.

- Sadece 355 mm (14") 4100 dev/dak veya daha yüksek nominal hıza sahip olan tip 1 diskleri kullanın.
- Ellemeden önce kesilen parçaların soğumasına izin verin.
- Ahşap veya plastik malzemeleri kesmeye kalkışmayın.
- **ASLA MAGNEZYUM MALZEMELER KESMEYİN.**
- Üzerinde çalışılan parçadan çıkan küçük parçacıkların testere bıçağı ile muhafazalar arasında sıkışması halinde aletin güç kaynağıyla bağlantısını kesin. Sıkışmış parçaları çıkartın ve testere bıçağını takın.
- Profil kesmeyi iyi havalandırılan bir alanda kullanın.
- Tabandan herhangi parça çıkartmadan önce kesme profilinizi kapatın.
- **ELEKTRİĞE BAĞLI MALZEMELERİ KESMEYİN.**
- **Bu aletle dairesel kesim bıçaklarını veya diğer dışı bıçakları kullanmayın.** Ciddi yaralanmaya neden olabilir.
- **ALETİ YANICI SIVILAR VEYA GAZLARIN YANINDA YA DA TOZLU ALANLARDA KULLANMAYIN.** Kesmeden kaynaklanan kıvılcım veya sıcak yonga ya da yaylı motor fırçaları, yanıcı maddelerin tutuşmasına neden olabilir.
- Aşındırıcı diskin kenarını taşlama işlemleri için kullanmayın. Bu büyük ölçüde diski zayıflatır ve tehlikeli bir duruma yol açabilir. Disk aletten çıkabilir.
- **DIKKAT: Aleti kullanırken koruyucu kulaklık takın.** Bazı koşullarda ve kullanım süresine göre bu aletin gürültüsü işitme kaybına neden olabilir.
- **DIKKAT: Kıvılcım yön saptırıcısı ısınacaktır.** Sıcakken dokunmaktan ve ayarlamaktan kaçının. Kablo ve malzemeleri kıvılcım yön saptırıcısından uzak tutun.
- **Zımpara, kesme, taşlama, delme ve diğer inşaat faaliyetleri sırasında toz ile uzun süreli temastan kaçının. Koruyucu giysiler giyin ve açıkta kalan yerlerinizi sabun ve su ile yıkayın. Tozun ağıza, göze girmesi veya cilt üzerinde bulunması zararlı kimyasallar emilimini teşvik edebilir.**
- **UYARI:** Her zaman NIOSH / OSHA tarafından onaylı toz maruziyeti için uygun bir solunum korumasını kullanın. Yüzünüzü ve vücudunuzu uçan parçacıklardan uzakta tutun. Sizin rahatlığınız ve güvenliğiniz için, ağır hizmet tipi 14"(355mm) profil kesmeniz üzerinde aşağıdaki uyarılar vardır:
- **GÜVENLİ BİR ÇALIŞMA İÇİN KULLANIM KILAVUZUNU OKUYUN.**
- **DIŞLI DISKLERİ KULLANMAYIN.**
- **SADECE 4100 DEV/DAK VEYA DAHA YÜKSEK DEVİRLİ GÜÇLENDİRİLMİŞ DISKLER KULLANIN.**
- **SERVİS İŞLEMLERİ SİRASINDA SADECE ORJİNAL YEDEK PARÇALARI KULLANININ.**
- **HER ZAMAN GÖZ KORUMASI TAKIN, MUHAFAZALAR KULLANIN, ÇALIŞMA PARÇASINI MENGENE İLE SABİTLEYİN, UYGUN SOLUMA KORUMASI KULLANIN.**

TÜRKÇE (Çevirisi orijinal talimatlardan yapılmıştır)

- **HER ZAMAN KESME DISKLERİNİ İYİ MUHAFAZALI VE KURU, ÇOCUKLARIN ERIŞEMEYECEKLERİ BİR YERDE SAKLAYIN.**
- **SADECE MAKSİMUM KALINLIĞI 2,8 MM OLAN VE MAKSİMUM ÇAPI 355 MM OLAN PROFİL KESME DISKİ KULLANIN.**

ALET ÜZERİNDEKİ ETİKETLER

Aletin etiketinde tarih kodu ile birlikte aşağıdaki semboller bulunabilir:

| | | | |
|--|---|-------|----------------------------------|
|  | UYARI! Yaralanma riskini en aza indirmek için kullanıcı kullanım talimatlarını mutlaka okumalıdır. | | |
|  | Kulaklık takın. | | |
|  | Koruyucu gözlük takın. | | |
| V | Volt | === | Doğru akım |
| A | Amper | η | Yüksüz hızı |
| Hz | Hertz | □ | Çift yalıtım |
| W | Watt | ⊕ | Topraklı terminal |
| min | dakikalar | ⚠ | Güvenlik uyarı sembolü |
| ~ | Dalgalı akım | /min. | Dakikada devir veya darbe sayısı |

Tarih kodu konumu

İmalat yılını da içeren Tarih Kodu gövdeye basılıdır.

Örnek:

2017 XX JN
İmalat Yılı

AMBALAJIN İÇERİĞİ

Ambalaj, aşağıdaki parçaları içermektedir:

- 1 Profil Kesme
 - 1 355mm Metal Kesme Aşındırıcı Diski
 - 1 Disk anahtarı
 - 1 Kullanım kılavuzu
- Alette, parçalarda veya aksesuarlarda nakliye sırasında meydana gelmiş olabilecek hasarı kontrol edin.
 - Aleti çalıştırmadan önce, bu kullanım kılavuzunu baştan sonra okuyup anlamak için gerekli zamanı ayırın.

ELEKTRİK GÜVENLİĞİ



Bu alet çift yalıtımlıdır. Bu yüzden hiçbir topraklama kablosuna gerek yoktur. Her zaman şebeke geriliminin aletin üretim etiketinde belirlenmiş değerlere uyup uymadığını kontrol edin.



Elektrik kablosu hasarlı ise, bir tehlike oluşmasını önlemek için üretici ya da yetkili STANLEY Servis Merkezi tarafından değiştirilmelidir.

UZATMA KABLOLARININ KULLANIMI

Bir uzatma kablosu gerekli ise, bu aletin elektrik girişine uygun, onaylı bir uzatma kablo kullanın. Minimum iletken boyutu 1,5 mm²'dir. Bir kablo makarası kullanırken, kabloyu daima sonuna kadar açın.

| İletken boyutu (mm ²) | Kablo gücü (Amper) |
|-----------------------------------|--------------------|
| 0,75 | 6 |
| 1,00 | 10 |
| 1,50 | 15 |
| 2,50 | 20 |
| 4,00 | 25 |

| Kablo uzunluğu (m) | | | | | | |
|--------------------|-----|----|----|----|----|----|
| | 7,5 | 15 | 25 | 30 | 45 | 60 |

| Voltaj | Amper | Kablo gücü (Amper) | | | | | |
|---------|-------------|--------------------|----|----|----|----|----|
| | | 6 | 6 | 6 | 6 | 6 | 10 |
| 110-127 | 0 - 2,0 | 6 | 6 | 6 | 6 | 6 | 10 |
| | 2,1 - 3,4 | 6 | 6 | 6 | 6 | 15 | 15 |
| | 3,5 - 5,0 | 6 | 6 | 10 | 15 | 20 | 20 |
| | 5,1 - 7,0 | 10 | 10 | 15 | 20 | 20 | 25 |
| 220-240 | 7,1 - 12,0 | 15 | 15 | 20 | 25 | 25 | - |
| | 12,1 - 20,0 | 20 | 20 | 25 | - | - | - |
| | 0 - 2,0 | 6 | 6 | 6 | 6 | 6 | 6 |
| | 2,1 - 3,4 | 6 | 6 | 6 | 6 | 6 | 6 |
| | 3,5 - 5,0 | 6 | 6 | 6 | 6 | 10 | 15 |
| | 5,1 - 7,0 | 10 | 10 | 10 | 10 | 15 | 15 |
| | 7,1 - 12,0 | 15 | 15 | 15 | 15 | 20 | 20 |
| | 12,1 - 20,0 | 20 | 20 | 20 | 20 | 25 | - |

ÖZELLİKLER (ŞEKİL 1, 4)

Bu alet, aşağıdaki özelliklerin bir kısmını veya tümünü içermektedir.

1. Kıvılcım yön saptırıcısı vidası
2. Kıvılcım yön saptırıcısı
3. Taban
4. Kesme kılavuzu
5. Mengene
6. Poligon anahtar
7. Döndürme kolu
8. Mengene kolu
9. Disk
10. Muhafaza
11. Mil kilidi
12. Derinlik ayarı civata ve emniyet somunu
13. Açma/kapama düğmesi

14. Asma kilit deliği
15. Kesme kılavuzu civataları
23. Kilit pimi

ŞEBEKE GERİLİMİ

Her zaman şebeke geriliminin aletin üretim etiketinde belirlenmiş değerlere uyup uymadığını kontrol edin. % 10'dan daha fazla bir gerilim azalması güç kaybına ve aşırı ısınmaya neden olacaktır.

KESME KAPASİTESİ

Geniş açılan mengene ve yüksek dönme noktası birçok geniş malzemenin kesilmesi için gerekli kapasiteyi sağlar. Yeni bir diskle kesilebilecek maksimum kesme ölçüsünü belirlemek için kesme kapasitesi tablosunu kullanın.



DİKKAT: BAZI GENİŞ, DAİRESEL VEYA DÜZ OLMAYAN ŞEKİLLİ NESNELER, MENGENE İLE GÜVENLİ BİR ŞEKİLDE SABİTLENEMEYEBİLİR VE EK TUTMA DESTEĞİNE İHTİYAÇ DUYABİLİR.



DİKKAT: BU ALETLE MAGNEZYUM KESMEYİN.

MAKSİMUM KESME KAPASİTESİ

NOT: Tabloda gösterilen kapasite aşınmamış disk ve en uygun mengene konumuna göre kabul edilmiştir.

| Çalışma parçası şekli: | | | | |
|------------------------|------------------------|------------------------|---|-----------------------|
| 90° Kesme Açısı | A = 125 mm (4-7/8") | A = 115mm (4-1/2") | 115mm x 130mm (4-1/2" x 5-1/8") 102mm x 178mm (4" x 7") 76mm x 204mm (3" x 8") | A = 120mm (4-3/4") |
| 45° Kesme Açısı | A = 115mm (4-1/2") | A = 98mm (3-13/16") | 95mm x 105mm (3-3/4" x 4-1/8") | A = 105mm (4-1/8") |

Taşıma (Şekil A)

Aleti taşımak için ilk önce alet katlanmalıdır. Kilit pimi (23) yardımcı ile profil kesme kafasını sabitleyin.

Montaj talimatları (Şekil C)

Aleti 2 adet M10 civatayı montaj deliklerinden geçirerek dengeli konumda sabitleyin.

Kilidi açma (Şekil A)

Aletin kilidini açmak ve kafasını kaldırmak için motor gövdesine hafif olarak basın ve kilit pimini (23) çıkartın. Motor gövdesi yukarı doğru dönecektir.

Kıvılcım yön saptırıcısının ayarlanması (Şekil A)

Çevredeki kişiler ve malzemelerden kıvılcımları daha iyi saptırmak için vidayı (1) gevşetin, kıvılcım yön saptırıcısını (2)

ayarlayın ve ardından vidayı sıkın. Kablonun saptırıcı veya kıvılcım ile temas etmesine izin vermeyin, hasar oluşabilir.

Derinlik ayarı (Şekil A)

Derinlik ayarı, destek yüzeyinin kesmesini önlemek için yeni bir 355 mm (14 ") disk için fabrikada ayarlanmıştır. Kesme derinliğini ayarlamak için anahtarı kullanarak (alet ile birlikte verilmemektedir) derinlik ayarı civatasını (12) gevşetin, civatayı istenilen yüksekliğe kaldırın ve emniyet somununu (12) saat yönünde sonuna kadar sıkın. Aleti kullanmadan önce derinlik ayarı civatasını iyice sıkın.



DİKKAT: Diski değiştirirken derinlik ayarını, destek yüzeyinin kesmesini önlemek için daima orijinal konumuna ayarlayın.

Açma/kapama düğmesi (Şekil A)

Aleti çalıştırmak için açma/kapama düğmesine (13) basın, aleti kapatmak için açma/kapama düğmesini bırakın. Alet tamamen durana kadar elleri ve malzemeleri diskten uzak tutun. Aletin izinsiz kullanılmasını önlemek için standart bir asma kilidi (alet ile birlikte verilmemektedir), açma/kapama mekanizmasında bulunan asma kilit deliğine (14) takın.

MALZEME SIKIŞTIRMA VE DESTEKLEME

- Açılı kesimler her iki köşe de taban üzerinde desteklendiğinde en iyi şekilde sıkıştırılır ve kesilir.
- Kesim kapasitesini arttırmak için, çalışma parçasının altına bir destek parçası yerleştirin. Destek parçası, çalışma parçasından biraz daha dar olmalıdır (Şekil B).
- Uzun çalışma parçalarını taban yüzeyi ile hizalayarak bir parça tahta kullanarak destekleyin (Şekil C). Diskin sıkışmasını önlemek için kesilmiş uç serbest olarak aşağı düşmelidir.

Mengene kullanımı (Şekil D)

Mengene (5), hızlı hareket özelliğine sahiptir. Fazla sıkılmış mengenyeyi serbest bırakmak için döndürme kolunu (7) bir veya iki tur saat yönünün tersine çevirin ve mengenyeyi gevşetin.

Mengene kolunu (8) yukarı kaldırın. Döndürme kolunu istediğiniz kadar dışarı çekin. Mengene, döndürme kolunu kullanmadan çalışılan parçaya doğru itilebilir. Mengene kolunu (8) aşağı indirin ve mengenyeyi (5) döndürme kolunu (7) kullanarak çalışılan parça üzerinde sıkın.

Kesme kılavuzu kullanımı (Şekil E, F)



DİKKAT: Herhangi bir ayarlama veya aksesuarları takıp çıkarmadan önce aleti kapatın ve fişini çekin. Açma/kapama düğmesinin kapalı konumda olduğunu kontrol edin. Kesme kılavuzu (4) iki şekilde ayarlanabilir: istenilen kesim açısının değiştirerek ve kesme kılavuzu ve mengene arasındaki aralığı değiştirerek.

İstenilen kesme açısının değiştirilmesi

Aletle birlikte verilen anahtarı kullanarak iki adet kesme kılavuzu civatasını (15) gevşetin (ama çıkartmayın). İstenilen açı göstere çizgisini taban (3) üzerindeki bölme (16) ile hizalayın. Aleti kullanmadan önce her iki kesme kılavuzu civatasını sağlam bir şekilde sıkın. Daha hassas köşeli kesimler için, aleti güç kaynağından ayırın, iki kesme kılavuzu civatasını gevşetin ve disk tabanına ulaşına kadar kesme kafasını aşağı itin. Diskin karşısına bir köşebent yerleştirin ve kesme kılavuzunu köşebente göre ayarlayın. Aleti kullanmadan önce her iki kesme kılavuzu civatasını sağlam bir şekilde sıkın. Gönye kesimleri yaparken mengene (5), çalışılan parça kalınlığına ve gönye açısına göre sabitlenmelidir. Böyle kesimler yaparken çalışılan parçayı kesme kılavuzuna sabitlemek için başka yardımcı ekipmanlar da gerekebilir (yay, pala, C-kelepçe gibi).

Kesme kılavuzu ve mengene arasındaki aralığı değiştirilmesi

Aletle birlikte verilen anahtarı kullanarak iki adet kesme kılavuzu civatasını (15) gevşetin ve çıkartın. Kesme kılavuzunu (4) istenilen pozisyonuna ayarlayın. Sunulan yerlere her iki kesme kılavuzu civatalasını yerleştirin. Aleti kullanmadan önce her iki kesme kılavuzu civatasını sağlam bir şekilde sıkın.

Kesme diskinin takılması ve çıkartılması (Şekil G, H)



DİKKAT: Herhangi bir ayarlama veya aksesuarları takıp çıkarmadan önce aleti kapatın ve fişini çekin. Açma/kapama düğmesinin kapalı konumda olduğunu kontrol edin. Disk hareket ederken herhangi bir ayar yapmayın. Profil kesme elektrik prizine takılıysanız, herhangi bir ayarlamayı yapmayın.

1. Kesme diskinin sabitleyin. Bunun için mil kilidine (11) basın ve diskin (9) sabitleme kolu iç flanşın (17) üzerindeki yuvaya oturana kadar elle çevirin. Aşındırıcı diskin merkezinde bulunan civatayı (18) M10 poligonal anahtarı (6) kullanarak saat ters yönünde çevirerek gevşetin. Civata sağ oluğa sahiptir.
2. Civatayı (18), pulu (19), dış flanşı (20) ve eski kesme diskinin (9) çıkartın.
3. Flanş yüzeylerinin temiz ve düz olduğundan emin olun. Yukarıdaki adımları tersten izleyerek yeni kesme diskinin takın.
4. Civatayı aşırı sıkmayın.

UYARI: Yeni aşındırıcı disk takarken profil kesmenin yerleştirildiği çalışma yüzeyini kontrol edin. Kesme kafası tamamen indirilmiş olduğunda disk çalışma yüzeyinin üstünde UZANAN (tabanın altında) HERHANGİ BİR ÖGE YA DA YAPI ile temas edebilir.

UYARI: Vidayı daima muhafaza üzerinde tutun ve kullanıcıyı

yüksek hızlı dönen diskten korumak için diski değiştirdikten ve aleti kullanmadan önce orta muhafazanın doğru konumda olduğundan emin olun.

Daha hassas kesimler için çalışma tavsiyeleri

- Kesme diskinin kesim yapmasına izin verin. Aşırı kuvvet uygulanması diskin kesme verimliliğini azaltacak ve / veya diskin saptırılmasına ve hatalı kesimlere neden olacaktır.
- Kesme kılavuzu açısını doğru bir şekilde ayarlayın.
- Malzemenin taban üzerinde düz bir şekilde yerleştiğinden emin olun.
- Hareket etmesini ve titreşimi önlemek için malzemeyi sağlam bir şekilde sabitleyin.

Motor kömürünün kontrol edilmesi ve değiştirilmesi (Şekil I)



UYARI: Aleti kapatın ve fişten çekin. Açma/kapama düğmesinin kapalı konumda olduğunu kontrol edin. Kömürler düzenli olarak aşınma durumu için kontrol edilmelidir. Kömürleri kontrol etmek için arka kapaktaki iki vidaları (21) sökün ve arka kapağı (22) çıkartın. Kömür kapağını (24) sökün. Kömürler (25) kömür yuvası içinde serbestçe kaymalıdır. Eğer kömürler Şekil I'da gösterildiği gibi 8mm'nin altına inecek şekilde aşınımlarsa değiştirilmelidir. Yeniden takmak için, yeni kömürü, kömür yuvasının üzerine itin. Eğer mevcut kömürü yeniden takıyorsanız, çıkardığınız şekilde, aynı yönde takın. Kömür kapağını yerine takın (gereğinden fazla sıkmayın). Arka kapağı ve iki vidasını yerine takın. İyiye sıkın.

Alet bakımı

Aşırı yüklemekten kaçının. Aşırı yüklenme hız ve verimliliğin azalmasına neden olacak ve alet ısınacaktır. Bu durumda dahili fan sayesinde normal çalışma sıcaklığına soğuyana kadar bir ya da iki dakika boyunca makineyi yüksüz çalıştırın. Aletinizi yük altında iken kapatmanız açma/kapama düğmesinin ömrünü azaltacaktır.

Önemli

Alet EMNİYET GÜVENLİĞİ ve GÜVENİLİRLİK için bu kılavuzda belirtilen dışında tamir, bakım ve ayarlamaların her zaman orijinal yedek parça kullanılarak, yetkili servisler tarafından yapılması gerekmektedir. Aletin içinde bakımı kullanıcı tarafından yapılabilecek herhangi bir parça yoktur. Havalandırma çıkışlarının içinde ve civarında toz birikmeye başladığında, hortumla hava üfleyerek ana gövdenin toz ve kirden temizlenmesi önerilir. Her zaman koruyucu gözlük ve solunum korumasını kullanın.

NOT: Alet kablosu yetkili serviste üç telli kablo seti ile değiştirilebilir.

BAKIM

STANLEY elektrikli/şarjlı aletiniz minimum bakımla uzun bir süre çalışacak şekilde tasarlanmıştır. Kesintisiz olarak memnuniyet verici bir şekilde çalışması gerekli özenin gösterilmesine ve düzenli temizliğe bağlıdır.



UYARI: Yaralanma riskini azaltmak için aksesuarları takıp çıkarmadan önce, ayarlarla oynamadan veya değiştirmeden önce ya da tamir yaparken aleti kapatın ve makineyi güc kaynağından ayırın. Açma/kapama düğmesinin kapalı konumda olduğunu kontrol edin. Aletin yanlışlıkla çalıştırılması yaralanmaya neden olabilir.

- Bu aletin servisi kullanıcı tarafından yapılamaz. Bir sorun çıkarsa, yetkili servisiyle temasa geçin.
- Karbon kömürler yıprandıklarında alet otomatik olarak kapanır.

UYARI! Elektrikli/şarjlı alet üzerinde herhangi bir bakım işlemi gerçekleştirmeden önce:

- Aleti kapatın ve fişten çekin.
- Veya aletin çıkartılabilir aküsü varsa; aleti kapatın ve aküyü aletten çıkartın.
- Veya aletin dahili aküsü varsa, bitene kadar çalıştırın ve sonra kapatın.
- Şarj cihazını temizlemeden önce fişten çekin. Şarj cihazınız, düzenli temizlik dışında herhangi bir bakım gerektirmemektedir.
- Aletinizdeki ve şarj cihazındaki havalandırma deliklerini yumuşak bir fırça veya kuru bir bezle düzenli olarak temizleyin.
- Motor muhafazasını düzenli olarak nemli bir bezle silin. Aşındırıcı veya çözücü bazlı temizleyiciler kullanmayın.
- Mandreni düzenli olarak tamamen açın ve içindeki tozu dökmek için hafifçe vurun (mandren alete takılıysa).

Yağlama

Stanley elektrikli el aletleri, fabrikada uygun bir şekilde yağlanmıştır ve çalışmaya hazırdır. Aletler, kullanımına bağlı olarak, düzenli bir şekilde yağlanmalıdır. Bu yağlama sadece Stanley servislerindeki gibi eğitimli elektrikli el aleti tamir personeli tarafından yapılmalıdır.

Aletin tamamında kapalı tipte, yağ sızdırmaz bilyalı yataklar kullanılmıştır. Bu yataklar, fabrikada profil kesmenin kullanım ömrü boyunca yetecek miktarda yağla doldurulmuştur.

Temizleme

Uyarı: Aletin gövdesini bezle temizlemeden önce fişini şebekeden çekin. Tüm hava deliklerini, motor çalışırken haftada en az bir kere kuru hava ile kir ve tozdan temizleyin. Bu uygulamayı yaparken koruyucu gözlük takın. Dış plastik parçalar nemli bir bezle ve yumuşak deterjanla silinebilir. Bu parçaların, çözücüye karşı yüksek direnci olmasına

rağmen, çözücü maddeleri ASLA kullanmayın.



Havalandırma çıkışlarının içinde ve civarında toz birikmeye başladığında, hortumla hava üfleyerek ana gövdenin toz ve kirden temizlenmesi önerilir. Her zaman koruyucu gözlük ve solunum korumasını kullanın.

AKSESUARLAR

Herhangi bir elektrikli aletin performansı kullanılan aksesuarlara bağlıdır. Stanley aksesuarları, yüksek kalite standartlarına göre üretilmiş ve elektrikli aletinizin performansını arttıracak şekilde tasarlanmıştır.

Not: Aksesuarın nominal hızı, kullanıldığı elektrikli alet üzerinde yalnız maksimum hıza eşit olmalı veya bundan yüksek olmalıdır.



DIKKAT: Bu alet ile kullanılması önerilmeyen aksesuarların kullanılması ciddi yaralanmaya yol açabilir. Sadece 4100 dev/dak veya daha yüksek bir değere sahip organik bağlamalı yüksek dayanıklılığa sahip Tip 1 diskleri kullanın. Aletinizle kullanılabilecek, tavsiye edilen aksesuarlar bedeli karşılığında satış noktalarından temin edilebilir.

Çevrenin korunması

Ayrı olarak atın. Bu ürün, normal evsel atıklarla birlikte atılmamalıdır.

STANLEY ürününüzün değiştirilmesi gerektiğini düşünmeniz veya artık kullanılamaz durumda olması halinde onu, evsel atıklarla birlikte atmayın. Bu ürünü, ayrı olarak toplanacak şekilde atın.



STANLEY, hizmet ömrünün sonuna ulaşan STANLEY ürünlerinin toplanması ve geri dönüşüme sokulması için bir imkân sunmaktadır. Bu hizmetin avantajlarından faydalanmak için, lütfen, ürününüzü bizim adımıza teslim alacak herhangi bir yetkili servise iade edin.

Bu kılavuzda belirtilen listeden size en yakın STANLEY yetkili tamir servisinin yerini öğrenebilirsiniz. Ya da, alternatif olarak internet'ten STANLEY yetkili tamir servislerinin listesini ve satış sonrası hizmetlerimizle ilgili tüm bilgileri ve temas bilgilerine aşağıdaki siteden ulaşabilirsiniz. www.2helpU.com

Notlar

STANLEY olarak, ürünlerimizi sürekli iyileştirme politikası uyguladığımızdan, önceden haber vermeden ürün özelliklerini değiştirme hakkını saklı tutarız.

Standart ekipman ve aksesuarlar ülkeye göre değişebilir.

Ürün özellikleri ülkelere göre farklı olabilir.

Komple ürün çeşidi tüm ülkelerde geçerli olmayabilir. Ürün çeşidi durumu hakkında lütfen en yakın STANLEY yetkili servisiyle temas kurun.

TEKNİK ÖZELLİKLERİ

| PROFİL KESME | | SSC22 |
|-----------------|---------|---------|
| Voltaj | V | 220-240 |
| Frekans | Hz | 50/60 |
| Giriş gücü | W | 2200 |
| Yüksüz hızı | dev/dak | 3800 |
| Maks. disk çapı | mm | 355 |
| Ağırlık | kg | 15,5 |

EN 60745'e göre ses basıncı düzeyi:

Ses basıncı (L_{pA}) 87,0 dB(A), belirsizlik (K) 3 dB(A)
Akustik güç (L_{WA}) 107,5 dB(A), belirsizlik (K) 3 dB(A)

Titreşim emisyon değeri ah:

ah= m/s^2 4,9
Belirsizlik K = m/s^2 1,5

Titreşim

Teknik veriler ve uygunluk beyanatı içerisinde belirtilen titreşim emisyon değerleri EN 61029 tarafından belirlenen standart bir test yöntemine uygun olarak ölçülmektedir ve diğer bir aletle karşılaştırma yaparken kullanılabilir. Beyan edilen titreşim emisyon değeri aynı zamanda maruz kalmanın önceden değerlendirilmesinde de kullanılabilir.

Uyarı! Elektrikli aletin mevcut kullanımı sırasındaki titreşim emisyon değeri, aletin kullanım yöntemine bağlı olarak, beyan edilen değere göre farklılık sergileyebilir. Titreşim düzeyi belirlenen seviyenin üzerinde artış gösterebilir.

İşyerinde düzenli olarak elektrikli alet kullanan çalışanları korumak amacıyla 2002/44/EC tarafından getirilen elektrik güvenliği önlemlerini belirlemek üzere titreşime maruz kalmayı değerlendirirken, çalışma döngüsü içerisinde örneğin aletin kapalı olduğu ve aktif durumda olmasının yanı sıra boşta çalıştığı zamanlar gibi, bütün zaman dilimleri dahil olmak üzere mevcut kullanım durumu ve aletin kullanım şekli göz önünde bulundurularak değerlendirilmelidir.

AT Uygunluk Beyanatı MAKİNE DİREKTİFİ



SSC22 Profil Kesme

STANLEY, «teknik özellikleri» bölümünde açıklanan bu ürünlerin aşağıda belirtilen yönergelere uygun olduğunu beyan eder: 2006/42/EC, EN 61029-1:2009+A11:2010, EN 61029-2-10:2010+A11:2013

Bu ürünler ayrıca 2004/108/EC, 2014/30/EU ve 2011/65/EU Direktiflerine de uygundur.

Daha fazla bilgi için, lütfen aşağıdaki adresten STANLEY ile irtibata geçin veya kılavuzun arkasına bakın.

Bu belge altında imzası bulunan yetkili, teknik dosyanın derlenmesinden sorumludur ve bu beyanı STANLEY adına vermiştir.

R.Laverick

Mühendislik Bölümü Müdürü
STANLEY Europe, Egide Walschaertsstraat 14-18,
2800 Mechelen, Belçika
06.2017

İki yıl garanti

Sahip olduğunuz STANLEY ürünü satın alma tarihinden itibaren 24 ay içinde hatalı malzeme veya işçilik nedeniyle bozulursa, STANLEY aşağıdaki şartlara uyulması koşuluyla ücretsiz olarak tüm kusurlu parçaların yenilenmesini veya -kendi inisiyatifine bağlı olarak- satın alınan ürünün değiştirilmesini garanti eder:

- Ürün, hatalı kullanılmamış kullanım kılavuzuna uygun kullanılmıştır.
- Ürün yıpranmamış, hırpalanmamış ve aşınmamıştır;
- Yetkili olmayan kişilerce tamire çalışılmamıştır.
- Satın alma belgesi (fatura) ibraz edilmiştir;
- STANLEY ürünü, tüm orijinal parçaları ile birlikte iade edilmiştir;
- Ürün kiralama amacıyla kullanılmamıştır.

Garanti talebinde bulunmak için, lütfen satıcıyla irtibata geçin veya STANLEY katalogunda belirtilen size en yakın STANLEY yetkili satıcı adresini kontrol edin veya ürünün kılavuzunda belirtilen adresteki yerel STANLEY yetkili tamir servisi ile temas kurun. İnternet'ten STANLEY yetkili tamir servislerinin listesine ve satış sonrası hizmetlerimizle ilgili tüm bilgilerine aşağıdaki siteden ulaşabilirsiniz: www.2helpU.com

Sanayi ve Ticaret Bakanlığı tebliğince kullanım ömrü 7 yıldır.

Türkiye Distribütörü
STANLEY BLACK&DECKER TURKEY ALET URETİM SAN.
TIC. LTD.STİ.
Kozyatağı Mh Değirmen Sk. Nida Kule
No:18 Kat:6 34742 Kadıköy İstanbul
Tel : (0216) 665 29 00
Faks : (0216) 665 29 01
E-posta: info-tr@sbdinc.com

Назначение

Ваша монтажная пила STANLEY SSC22 предназначена для резки стальных материалов различного профиля. Данный инструмент предназначен для профессионального использования.

ИНСТРУКЦИИ ПО ТЕХНИКЕ БЕЗОПАСНОСТИ

Общие правила безопасности при работе с электроинструментами



ВНИМАНИЕ! Внимательно прочтите все инструкции по безопасности и руководство по эксплуатации. Несоблюдение всех перечисленных ниже правил безопасности и инструкций может привести к поражению электрическим током, возникновению пожара и/или получению тяжёлой травмы.



ВНИМАНИЕ! При использовании электрических инструментов соблюдение правил по технике безопасности и следование данным инструкциям позволит снизить вероятность возникновения пожара, поражения электрическим током и получения травм. Перед использованием данного электроинструмента внимательно прочтите настоящие инструкции и сохраните их для последующего использования.

Сохраните все инструкции по безопасности и руководство по эксплуатации для их дальнейшего использования. Термин «Электроинструмент» во всех приведённых ниже указаниях относится к Вашему сетевому (с кабелем) или аккумуляторному (беспроводному) электроинструменту.

1. Безопасность рабочего места

- a. **Содержите рабочее место в чистоте и хорошо освещённым.** Беспорядок на рабочем месте или отсутствие освещения рабочего места может привести к аварии.
- b. **Не работайте с электроинструментом в месте хранения взрывоопасных материалов, например, в присутствии огнеопасных жидкостей, газов или пыли.** Электрические инструменты создают искры, которые могут воспламенить пыль или пары.
- c. **Дети и посторонние лица должны находиться как можно дальше во время работы с электроинструментом.** Вы можете отвлечься и потерять контроль.

2. Электробезопасность

- a. **Вилка электроинструмента должна соответствовать розетке. Никогда не модифицируйте вилку каким-либо образом. Не используйте никакие вилки-переходники с заземленными (замкнутыми на землю) электроинструментами. Вилки и розетки, которые не подвергались никаким изменениям снижают риск поражения электрическим током.**

- b. **Избегайте контакта тела с заземленными поверхностями, такими как трубы, радиаторы, плиты и холодильники.** Существует повышенный риск поражения электрическим током, если ваше тело заземлено.
- c. **Избегайте любого воздействия дождя или влаги на электроинструменты.** Вода, попавшая в электроинструмент, увеличивает риск поражения электрическим током.
- d. **Аккуратно обращайтесь со шнуром питания. Никогда не используйте шнур питания для переноски, перемещения или извлечения вилки из розетки. Держите шнур вдали от источников тепла, масла, острых краев или движущихся частей.** Поврежденные или запутанные шнуры увеличивают риск поражения электрическим током.
- e. **При работе с электроинструментом на улице, используйте удлинитель, подходящий для наружного использования.** Использование кабеля, пригодного для использования на открытом воздухе, снижает риск поражения электрическим током.
- f. **При необходимости работы с электроинструментом во влажной среде, используйте устройство защитного отключения (УЗО).** Использование УЗО снижает риск поражения электрическим током. ПРИМЕЧАНИЕ: Термин «устройство защитного отключения (УЗО)» может быть заменён на «аварийный прерыватель заземления» или «автоматический выключатель тока утечки».

3. Личная безопасность

- a. **Будьте внимательны, смотрите, что вы делаете, используйте здравый смысл при работе с электроинструментом. Не используйте электроинструмент, если вы устали или находитесь под влиянием наркотиков, алкоголя или лекарств.** Малейшая неосторожность при работе с электроинструментом может привести к серьезным травмам.
- b. **Используйте средства индивидуальной защиты. Всегда надевайте защитные очки. Другое защитное оборудование, включая респиратор, ботинки на нескользящей подошве, защитный шлем или средства защиты органов слуха, используемые в надлежащих условиях, уменьшат риск получения травмы.**
- c. **Для предотвращения случайного запуска, убедитесь, что переключатель находится в выключенном положении перед подключением к источнику питания и/или аккумуляторной батарее, поднятия или переноски инструмента.** Не переносите электроинструмент с пальцем на выключателе и не включайте питание на инструмент с включенным выключателем, что может привести к несчастному случаю.

- d. **Перед включением электроинструмента снимайте регулировочный или гаечный ключ.** Гаечный или регулировочный ключ, оставленный на вращающейся части электроинструмента, может привести к травме.
- e. **Не тянитесь. Сохраняйте правильную стойку и баланс все время.** Это позволяет лучше контролировать инструмент в неожиданных ситуациях.
- f. **Одевайтесь правильно. Не надевайте свободную одежду или украшения. Держите волосы, одежду и перчатки вдали от движущихся частей. Свободная одежда, украшения или длинные волосы могут попасть в движущиеся части.**
- g. **Если имеются устройства для подключения пылесборника или вытяжки, убедитесь в том, что они подсоединены и используются правильно.** Использование пылесборника снижает вероятность возникновения рисков, связанных с пылью.
4. **Использование и уход за электроинструментом**
- a. **Не перегружайте электроинструмент. Используйте подходящий электрический инструмент для соответствующего применения.** Правильно подобранный электроинструмент позволит выполнить работу лучше и безопаснее при скорости, для которой он был разработан.
- b. **Не используйте электроинструмент, если переключатель не может его включить и выключить.** Любой электроинструмент, который нельзя контролировать с помощью переключателя, опасен и должен быть отремонтирован.
- c. **Отключите кабель питания от источника питания и/или аккумуляторный блок от электрического инструмента перед выполнением любых регулировок, замены принадлежностей или при хранении электроинструмента.** Такие профилактические меры безопасности уменьшают риск непреднамеренного запуска электрического инструмента.
- d. **Храните неиспользуемые электроинструменты в недоступном для детей месте и не позволяйте лицам, не знакомым с электроинструментом или данными инструкциями, работать с электроинструментом.** Электроинструменты опасны в руках неопытных пользователей.
- e. **Поддержание электроинструмента. Проверяйте разрегулированность или соединение подвижных частей, поломки частей и любые другие условия, которые могут повлиять на работу электроинструмента. При наличии повреждения, отремонтируйте электроинструмент перед использованием.** Многие несчастные случаи являются следствием плохого ухода за электроинструментом.
- f. **Держите режущий инструмент острым и чистым.** Хорошо ухоженный режущий инструмент с острыми режущими кромками легче контролировать.
- g. **Используйте электроинструмент, принадлежности, насадки и т.д. в соответствии с этими инструкциями, принимая во внимание рабочие условия и характер выполняемой работы.** Использование электроинструмента иным способом может привести к опасным ситуациям.
5. **Обслуживание**
- a. **Обеспечьте, чтобы обслуживание и ремонт вашего электроинструмента проводился в авторизованном сервисном центре по ремонту с использованием только оригинальных запасных частей.** Это станет гарантией безопасности электроинструмента.

ИНСТРУКЦИИ ПО БЕЗОПАСНОСТИ ПРИ РАБОТЕ МОНТАЖНЫМИ ПИЛАМИ

- **Всегда надевайте защитные очки и респиратор.**
- **Перед использованием, осмотрите режущий диск на предмет выявления трещин или дефектов. При обнаружении дефектов – замените диск. Также всякий раз проверяйте режущий диск при подозрении, что пила могла упасть.** Дефекты поверхности могут стать причиной поломки диска.
- **При включении пилы с установленным новым диском или если Вы не уверены в хорошем состоянии диска, установите пилу в хорошо защищённой зоне и дайте ей поработать в течение 1 минуты.** Если на диске имеются скрытые трещины или повреждения, он должен сорваться с крепления меньше чем за минуту. Никогда не включайте инструмент, если на линии диска находятся люди. Это правило включает в себя и оператора.
- **Избегайте резкого отскока режущего диска и грубого обращения с диском во время работы.** Если это произошло, выключите инструмент и проверьте режущий диск на наличие сколов и трещин.
- **Регулярно проводите чистку Вашей монтажной пилы, следуя инструкциям в данном руководстве по эксплуатации.**
- **Не снимайте защитные кожухи или основание.**
- **ВСЕГДА НАДЕЖНО ЗАКРЕПЛЯЙТЕ ЗАГОТОВКУ, ИСПОЛЬЗУЯ ДЛЯ ЭТОГО ТИСКИ ИЛИ СПЕЦИАЛЬНОЕ ЗАЖИМНОЕ УСТРОЙСТВО.** В зависимости от размера и формы заготовки можно также использовать вспомогательные средства, такие как пружина, брусок или зажимные скобы. Будьте особенно внимательны при выборе и установке зажимных устройств и перед работой всегда делайте пробный запуск.

- Используйте диски 14" Типа 1, рассчитанные на скорость 4100 об/мин и выше.
- Прежде чем дотрагиваться до отрезанных частей, дайте им полностью остыть.
- Не разрешается использовать данный инструмент для резания древесины или пластика.
- **ЗАПРЕЩЕНО ИСПОЛЬЗОВАНИЕ ДАННОГО ИНСТРУМЕНТА ДЛЯ РЕЗКИ МАГНИЯ.**
- В случае застревания фрагментов заготовки между пильным диском и защитными кожухами отключите инструмент от источника питания. Удалите застрявшие частицы и установите на место пильный диск.
- Используйте монтажную пилу только в хорошо вентилируемых помещениях.
- Всегда выключайте монтажную пилу перед удалением какой-либо детали с основания.
- **НИ В КОЕМ СЛУЧАЕ НЕ РЕЖЬТЕ ПРЕДМЕТЫ, НАХОДЯЩИЕСЯ ПОД ЭЛЕКТРИЧЕСКИМ НАПРЯЖЕНИЕМ.**
- **Не используйте с данным инструментом режущие диски для дисковых пил или другие отрезные диски с зубьями.** Это может привести к получению тяжелой травмы.
- **НЕ ИСПОЛЬЗУЙТЕ ДАННЫЙ ИНСТРУМЕНТ ВБЛИЗИ ОТ ГОРЮЧИХ ЖИДКОСТЕЙ, ГАЗОВ ИЛИ ПЫЛИ.** Искры или раскаленная стружка, образующаяся в результате резки, или искрение щеток электродвигателя могут вызвать воспламенение горючих материалов.
- Не используйте боковую сторону абразивного диска в качестве зачищающего инструмента. Это значительно сократит срок службы диска и создаст опасную ситуацию. Диск может сорваться с крепления.
- **ПРЕДУПРЕЖДЕНИЕ: При использовании инструмента надевайте противозумовые наушники.** При некоторых условиях и продолжительности использования, шум, производимый данным инструментом, может способствовать потере слуха.
- **ПРЕДУПРЕЖДЕНИЕ:** Отражатель искр сильно нагревается. Не прикасайтесь к нему и не регулируйте, пока он не остынет. Следите, чтобы кабель и материалы находились на расстоянии от отражателя искр.
- **Избегайте продолжительного контакта с пылью, вырабатываемой при шлифовании, пилении, зачистке, сверлении и выполнении других строительных работ.** Надевайте защитную одежду и промывайте незащищенные участки кожи водой и мылом. Попадание пыли в рот, глаза или на кожу может способствовать усвоению вредных химических веществ.
- **ВНИМАНИЕ:** Всегда используйте пылезаститный респиратор, одобренный NIOSH (Национальный

институт по охране труда и промышленной гигиене США)/OSHA (Федеральное Агентство по Охране Труда и Здоровья США). Следите за тем, чтобы лицо и тело было в стороне от линии выброса пыли. В целях обеспечения безопасности на Вашей монтажной пиле высокой мощности 14" (355 мм) имеются следующие предупреждающие знаки:

- **ДЛЯ ОБЕСПЕЧЕНИЯ БЕЗОПАСНОЙ РАБОТЫ ПРОЧТИТЕ РУКОВОДСТВО ПО ЭКСПЛУАТАЦИИ.**
- **НЕ ИСПОЛЬЗУЙТЕ ЗУБЧАТЫЕ ПИЛЬНЫЕ ДИСКИ.**
- **ИСПОЛЬЗУЙТЕ ТОЛЬКО АРМИРОВАННЫЕ РЕЖУЩИЕ ДИСКИ С РАСЧЕТНЫМИ ДАННЫМИ 4100 ОБ/МИН ИЛИ ВЫШЕ.**
- **ПРИ ТЕХНИЧЕСКОМ ОБСЛУЖИВАНИИ ДАННОГО ИНСТРУМЕНТА ИСПОЛЬЗУЙТЕ ТОЛЬКО ИДЕНТИЧНЫЕ ЗАПАСНЫЕ ЧАСТИ.**
- **ВСЕГДА: НАДЕВАЙТЕ ЗАЩИТНЫЕ ОЧКИ, РЕСПИРАТОР, ИСПОЛЬЗУЙТЕ ЗАЩИТНЫЕ КОЖУХИ, ДЛЯ ЗАЖИМА ЗАГОТОВКИ ИСПОЛЬЗУЙТЕ ТИСКИ.**
- **ВСЕГДА ХРАНИТЕ ХОРОШО ЗАЩИЩЕННЫЕ РЕЖУЩИЕ ДИСКИ В СУХОМ МЕСТЕ, НЕДОСТУПНОМ ДЛЯ ДЕТЕЙ.**
- **ИСПОЛЬЗУЙТЕ ТОЛЬКО РЕЖУЩИЕ ДИСКИ ТОЛЩИНОЙ НЕ БОЛЕЕ 2,8 ММ И МАКСИМАЛЬНЫМ ДИАМЕТРОМ 355 ММ.**

МАРКИРОВКА ИНСТРУМЕНТА

Помимо кода даты на инструменте имеются следующие знаки:

| | | | |
|---|--|---|------------------------------------|
|  | ВНИМАНИЕ! Полное ознакомление с руководством по эксплуатации перед использованием инструмента снизит риск получения травмы. | | |
|  | Используйте средства защиты органов слуха. | | |
|  | Надевайте защитные очки или маску. | | |
| V | Вольт | === | Постоянный ток |
| A | Ампер | ∅ | Скорость без нагрузки |
| Hz | Герц |  | Конструкция Класса II |
| W | Ватт |  | Клемма заземления |
| min | минут |  | Символ опасности |
|  | Переменный ток | /min. | Кол-во оборотов или шагов в минуту |

Место положения кода даты

Код даты, который также включает в себя год изготовления, отштампован на поверхности корпуса инструмента.

Пример:

2017 XX JN
Год изготовления

КОМПЛЕКТ ПОСТАВКИ

В упаковку входят:

- 1 Монтажная пила
 - 1 355 мм Абразивный диск для резки металла
 - 1 Ключ для установки диска
 - 1 Руководство по эксплуатации
- Проверьте инструмент, детали и дополнительные приспособления на наличие повреждений, которые могли произойти во время транспортировки.
 - Перед началом работы необходимо внимательно прочитать настоящее руководство и принять к сведению содержащуюся в нем информацию.

ЭЛЕКТРОБЕЗОПАСНОСТЬ

Данный инструмент защищён двойной изоляцией, что исключает потребность в заземляющем проводе. Следите за напряжением электрической сети, оно должно соответствовать величине, обозначенной на информационной табличке инструмента.



ПРИМЕЧАНИЕ: Данное устройство предназначено для подключения к источнику питания с максимальным допустимым электрическим сопротивлением системы Zmax 0,28 Ω в точке подключения (блоке питания) пользовательской сети. Пользователь должен следить за тем, чтобы данное устройство подключалось только к системе электропитания, которая полностью соответствует описанным выше требованиям. При необходимости пользователь может узнать о системе сопротивления в точке подключения в компании по коммунальному электро-снабжению.

Во избежание несчастного случая замена повреждённого кабеля питания должна производиться только на заводе-изготовителе или в авторизованном сервисном центре STANLEY.

ИСПОЛЬЗОВАНИЕ УДЛИНИТЕЛЬНОГО КАБЕЛЯ

При необходимости использования удлинительного кабеля, используйте только утверждённые кабели промышленного изготовления, рассчитанные на мощность не меньшую, чем потребляемая мощность данного инструмента. Минимальный размер проводника должен составлять 1,5 мм². При использовании кабельного барабана, всегда полностью разматывайте кабель.

| Напряжение | Ампер | Номинал кабеля (Ампер) | | | | | | |
|------------|-------------|------------------------|----|----|----|----|----|---|
| | | 6 | 6 | 6 | 6 | 6 | 10 | |
| 110-127 | 0 - 2,0 | 6 | 6 | 6 | 6 | 6 | 10 | |
| | 2,1 - 3,4 | 6 | 6 | 6 | 6 | 15 | 15 | |
| | 3,5 - 5,0 | 6 | 6 | 10 | 15 | 20 | 20 | |
| | 5,1 - 7,0 | 10 | 10 | 15 | 20 | 20 | 25 | |
| | 7,1 - 12,0 | 15 | 15 | 20 | 25 | 25 | - | |
| | 12,1 - 20,0 | 20 | 20 | 25 | - | - | - | |
| | 220-240 | 0 - 2,0 | 6 | 6 | 6 | 6 | 6 | 6 |
| | | 2,1 - 3,4 | 6 | 6 | 6 | 6 | 6 | 6 |
| | 3,5 - 5,0 | 6 | 6 | 6 | 6 | 10 | 15 | |
| | 5,1 - 7,0 | 10 | 10 | 10 | 10 | 15 | 15 | |
| | 7,1 - 12,0 | 15 | 15 | 15 | 15 | 20 | 20 | |
| | 12,1 - 20,0 | 20 | 20 | 20 | 20 | 25 | - | |

СОСТАВНЫЕ ЧАСТИ (Рис. 1, 4)

Данный инструмент может содержать все или некоторые из перечисленных ниже составных частей:

1. Винт отражателя искр
2. Отражатель искр
3. Основание
4. Направляющий упор
5. Зажим
6. Полигональный ключ
7. Ручка
8. Рычаг зажима
9. Режущий диск
10. Защитный кожух
11. Блокировка шпинделя
12. Болт ограничителя глубины реза и стопорная гайка
13. Клавиша пускового выключателя
14. Отверстие для навесного замка
15. Болты направляющего упора
23. Стопорный штифт

ПИТАНИЕ ЭЛЕКТРОСЕТИ

Убедитесь, что питание электросети полностью соответствует указанному на фирменной табличке инструмента. Уменьшение напряжения более чем на 10% повлечет за собой снижение мощности и перегрев инструмента.

РЕЖУЩАЯ СПОСОБНОСТЬ

Широкий проём зажимного приспособления и высоко расположенная ось поворота обеспечивает возможность резки крупных заготовок самого различного типа. Для определения максимального размера прореза, который может быть сделан новым диском, обратитесь к таблице режущей способности.



ПРЕДУПРЕЖДЕНИЕ: ДЛЯ РЕЗКИ НЕКОТОРЫХ КРУПНЫХ ЭЛЕМЕНТОВ ОКРУГЛОЙ ИЛИ НЕПРАВИЛЬНОЙ ФОРМЫ МОЖЕТ ПОТРЕБОВАТЬСЯ ИСПОЛЬЗОВАНИЕ ДОПОЛНИТЕЛЬНЫХ ЗАЖИМОВ-ФИКСАТОРОВ (В СЛУЧАЕ НЕВОЗМОЖНОСТИ ИХ НАДЕЖНОГО ЗАКРЕПЛЕНИЯ В ТИСКАХ).



ПРЕДУПРЕЖДЕНИЕ: НЕ ИСПОЛЬЗУЙТЕ ДАННЫЙ ИНСТРУМЕНТ ДЛЯ РЕЗКИ МАГНИЯ!



ПРЕДУПРЕЖДЕНИЕ: Перед сменой диска установите ограничитель глубины реза в первоначальное положение, чтобы избежать врезания диска в опорную поверхность.



Клавиша пускового выключателя (Рис. А)

Чтобы включить инструмент, нажмите на клавишу пускового выключателя (13). Для выключения инструмента отпустите клавишу пускового выключателя. Не прикасайтесь руками и обрабатываемым материалом к диску до его полной остановки. Для предотвращения использования инструмента посторонними лицами, установите в отверстие (14) в пусковом выключателе стандартный навесной замок (не входит в комплект поставки).

ЗАЖИМ И ОПОРА ДЛЯ ЗАГОТОВКИ

- Для прижима и резки уголка обе его полки должны лежать на основании.
- Для увеличения степени использования диска можно использовать распорный блок, немного более узкий, чем заготовка (Рис. В).
- В качестве опоры для длинных заготовок должен использоваться блок, для этого он должен находиться на одном уровне с верхней частью основания (Рис. С). Во избежание заедания диска отрезаемый конец заготовки должен свободно падать вниз.

Работа с зажимом (Рис. D)

Конструкция зажима (5) позволяет производить быстрое его перемещение. Чтобы ослабить натяжку зажима, поверните ручку (7) против часовой стрелки на один или два оборота для снятия усилия натяжки.

Поднимите рычаг зажима (8) вверх. Вытяните ручку до упора. Зажим может быть вытянут без проворачивания ручки. Опустите рычаг зажима (8), после чего затяните зажим (5) с помощью ручки (7).

Работа с направляющим упором (Рис. E, F)



ПРЕДУПРЕЖДЕНИЕ: Перед каждой операцией регулировки или снятием/установкой принадлежности или насадок, выключайте инструмент и отсоединяйте его от источника питания. Убедитесь, что клавиша пускового выключателя находится в положении ВЫКЛ. Направляющий упор (4) можно регулировать двумя способами: изменив угол резания или расстояние между направляющим упором и зажимом.

МАКСИМАЛЬНАЯ РЕЖУЩАЯ СПОСОБНОСТЬ

ПРИМЕЧАНИЕ: В параметры приведённой в таблице режущей способности включены диск без признаков износа и оптимальное положение направляющего упора.

| Форма заготовки: | | | | |
|------------------|-----------------------|------------------------|---|-----------------------|
| Угол реза 90° | A = 125мм (4-7/8") | A = 115мм (4-1/2") | 115мм x 130мм (4-1/2" x 5-1/8") 102мм x 178мм (4" x 7") 76мм x 204мм (3" x 8") | A = 120мм (4-3/4") |
| Угол реза 45° | A = 115мм (4-1/2") | A = 98мм (3-13/16") | 95мм x 105мм (3-3/4" x 4-1/8") | A = 105мм (4-1/8") |

Переноска (Рис. А)

Сложите инструмент в положение, которое позволяет переноску. Нажмите на стопорный штифт (23) для блокировки пильной головки в нижнем положении.

Инструкции по установке (Рис. С)

Зафиксируйте инструмент на устойчивой поверхности, используя отверстия в основании и 2 болта М10.

Разблокировка (Рис. А)

Чтобы разблокировать инструмент и поднять его пильную головку, слегка нажмите на неё и вытащите стопорный штифт (23). Пильная головка будет подана вверх.

Настройка отражателя искр (Рис. А)

Для наилучшей защиты находящихся поблизости людей и материалов от искр, ослабьте винт (1), отрегулируйте отражатель искр (2), после чего вновь затяните винт. Не допускайте контакта электрокабеля с отражателем искр, а также попадания искр на кабель, так как это может привести к его повреждению.

Ограничитель глубины реза (Рис. А)

Ограничитель глубины реза настроен на заводе-изготовителе для использования с новым 14" диском, чтобы предотвратить врезание диска в опорную

Изменение угла резания

Гаечным ключом ослабьте (но не извлекайте) два болта направляющего упора (15). Совместите указательную риску требуемого вам угла с прорезью (16А) в основании (3). Прежде чем начать работать, надёжно затяните оба болта направляющего упора. Для выполнения более точных прямых резов, отключите пилу от источника питания, ослабьте оба болта направляющего упора и опустите пыльную головку вниз, пока диск не достигнет основания. Прижмите угольник к диску и отрегулируйте по угольнику направляющий упор. Прежде чем начать работать, надёжно затяните оба болта направляющего упора. При выполнении резов со скосом зажим (5) может не затягиваться до упора – это будет зависеть от толщины заготовки и градуса угла скоса. При выполнении подобных резов необходимо использование вспомогательных средств (таких как пружина, брусок или зажимные скобы) для надёжной фиксации заготовки на направляющем упоре.

Изменение расстояния между направляющим упором и зажимом

Ослабьте и извлеките два болта направляющего упора (15), используя ключ, входящий в комплект поставки инструмента. Установите направляющий упор (4) на нужное расстояние. Вставьте оба болта направляющего упора в предусмотренные для них отверстия. Прежде чем начать работать, надёжно затяните оба болта направляющего упора.

Снятие и установка диска (Рис. G, H)



ПРЕДУПРЕЖДЕНИЕ: Перед каждой операцией регулировки или снятием/установкой принадлежностей или насадок, выключайте электроинструмент и отсоединяйте его от источника питания. Убедитесь, что клавиша пускового выключателя находится в положении ВЫКЛ. Не меняйте настроек, пока режущий диск находится в движении. Не производите настройку или регулировку, если монтажная пила подключена к источнику питания.

1. Нажмите на рычаг блокировки шпинделя (11) и проворачивайте диск (9) рукой до тех пор, пока рычаг блокировки диска не войдет в зацепление с пазом внутреннего фланца (17) для фиксации. Используя полигональный ключ M10 (6), ослабьте против часовой стрелки болт (18), находящийся в центре абразивного диска. Болт имеет правостороннюю резьбу.
2. Удалите болт (18), шайбу (19), снимите внешний фланец (20) и старый диск (9).
3. Убедитесь, что поверхность фланца чистая и ровная. Установите новый абразивный диск, выполнив все

указанные выше операции в обратной последовательности.

4. Не затягивайте болт слишком туго.



ВНИМАНИЕ: При установке нового абразивного диска, проверьте рабочую поверхность, на которой установлена монтажная пила. Существует вероятность касания диском КАКОЙ-ЛИБО ДЕТАЛИ ИЛИ ЭЛЕМЕНТА КОНСТРУКЦИИ, ВОЗВЫШАЮЩЕЙСЯ НАД рабочей поверхностью (под основанием), при полном опускании пыльной головки.

ВНИМАНИЕ: Всегда закрепляйте винт на защитном кожухе; после каждой замены диска и перед использованием инструмента проверяйте, что центральный защитный кожух находится в правильном положении, чтобы защитить оператора от вращающегося на большой скорости диска.

Рекомендации по выполнению более аккуратного реза

- Не оказывайте чрезмерного давления на диск. Чрезмерное давление может привести к полировке диска, что значительно снизит режущую способность, и/или к отклонению диска, что приведет к получению неаккуратного реза.
- Правильно отрегулируйте угол направляющего упора.
- Убедитесь, что заготовка полностью лежит на основании пилы.
- Должным образом закрепляйте заготовку, чтобы избежать её перемещений и вибрации.

Осмотр и замена щёток двигателя (Рис. I)



ВНИМАНИЕ: Выключите инструмент и отключите его от источника питания. Убедитесь, что клавиша пускового выключателя находится в положении ВЫКЛ. Регулярно проверяйте щётки двигателя на наличие признаков износа. Для осмотра щёток отвинтите два винта (21) и снимите торцевую крышку (22). Снимите крышку щёткодержателя (24). Щётки (25) должны свободно двигаться в обойме щёткодержателя. Если щётки износились до 8 мм, как показано на Рисунке I, они должны быть заменены. Для замены, вставьте в обойму щёткодержателя новую щётку. Устанавливая существующую щётку на место, вставляйте её в том же положении, что и при извлечении. Установите на место крышку щёткодержателя (не затягивайте слишком туго). Установите на место торцевую крышку и винты. Затяните с усилием.

Уход за инструментом

Избегайте перегрузки инструмента. Перегрузка может привести к значительному снижению скорости и эффективности и сильному нагреванию инструмента. Если это произошло, дайте инструменту поработать без нагрузки минуту или две, пока встроенный вентилятор не охладит инструмент до нормальной рабочей температуры. Включение и выключение инструмента, находящегося под нагрузкой, значительно снизит срок службы выключателя.

Важно

В целях обеспечения БЕЗОПАСНОСТИ и ДОЛГОВЕЧНОСТИ в использовании продукта ремонт, техническое обслуживание и регулировка (кроме перечисленных в данном руководстве по эксплуатации) должны производиться только в авторизованных сервисных центрах или других квалифицированных мастерских и только с использованием идентичных запасных частей. Внутри инструмента нет обслуживаемых пользователем деталей. Выдувайте грязь и пыль из корпуса инструмента рекомендованным воздушным шлангом по мере видимого скопления грязи внутри и вокруг вентиляционных отверстий. Всегда надевайте защитные очки и респиратор.

ПРИМЕЧАНИЕ: Данный инструмент может быть переоборудован в трехпроводное изделие с поворотным замком, для чего следует обратиться в авторизованный сервисный центр.

ТЕХНИЧЕСКОЕ ОБСЛУЖИВАНИЕ

Ваш электрический/аккумуляторный инструмент STANLEY рассчитан на работу в течение продолжительного времени при минимальном техническом обслуживании. Срок службы и надёжность инструмента увеличивается при правильном уходе и регулярной чистке.



ВНИМАНИЕ: Во избежание травмы, выключите инструмент и отсоедините его от источника электропитания, прежде чем устанавливать и демонтировать принадлежности, выполнять или изменять настройки, а также перед проведением ремонта. Убедитесь, что клавиша пускового выключателя находится в положении ВЫКЛ. Непреднамеренный запуск инструмента может привести к получению травмы.

- Данный инструмент не обслуживается пользователем. В случае возникновения проблем до истечения указанного срока, обращайтесь в авторизованный сервисный центр.
- Электроинструмент автоматически выключается в случае износа угольных щеток.

ВНИМАНИЕ! Перед проведением технического обслуживания электрического/аккумуляторного инструмента:

- Выключите инструмент и отключите его от источника питания.
- Или выключите инструмент и извлеките из него аккумулятор, если инструмент оснащён съёмным аккумулятором.
- В случае наличия встроенного аккумулятора, полностью разгрузите аккумулятор и выключите инструмент.
- Перед чисткой зарядного устройства отключите его от источника питания. Ваше зарядное устройство не требует никакого дополнительного технического обслуживания, кроме регулярной чистки.
- Регулярно очищайте вентиляционные отверстия инструмента/зарядного устройства мягкой щёткой или сухой тканью.
- Регулярно очищайте корпус двигателя влажной тканью. Не используйте абразивные чистящие средства, а также чистящие средства на основе растворителей.
- Регулярно раскрывайте патрон (при наличии) и вытряхивайте из него всю накопившуюся пыль.

Смазка



Электроинструменты Stanley смазаны должным образом на производстве и готовы к использованию. Инструменты должны регулярно смазываться каждый год, в зависимости от интенсивности использования. Смазка инструмента должна производиться только обученным персоналом по ремонту электроинструментов, например, в авторизованном сервисном центре Stanley.

В данном электроинструменте использованы смазанные жиром шарикоподшипники закрытого типа. Данные подшипники снабжены на производстве достаточным количеством смазки на весь срок службы монтажной пыли.

Чистка



Внимание: Перед тем как протереть корпус инструмента тканью, отключите инструмент от источника питания. Минимум раз в неделю выдувайте сухим воздухом грязь и пыль из всех вентиляционных отверстий при работающем двигателе. Выполняйте эту операцию в защитных очках. Внешние пластиковые детали очищайте влажной тканью и мягкой чистящим средством. Несмотря на то, что данные детали имеют высокую устойчивость к растворителям, НИКОГДА не используйте растворители при чистке.



Выдувайте грязь и пыль из корпуса инструмента рекомендованным воздушным шлангом по мере видимого скопления грязи внутри и вокруг вентиляционных отверстий. Всегда надевайте защитные очки и респиратор.

ДОПОЛНИТЕЛЬНЫЕ ПРИНАДЛЕЖНОСТИ

Производительность любого электроинструмента напрямую зависит от того, какие дополнительные принадлежности с ним используются. Принадлежности Stanley изготовлены в соответствии с самыми высокими стандартами качества и способны увеличить производительность вашего электроинструмента.

Примечание: Дополнительные принадлежности должны быть пригодны для использования на скорости, равной или более высокой, чем та частота вращения, которая обозначена на паспортной табличке инструмента, с которым они используются.



ПРЕДУПРЕЖДЕНИЕ: Использование любых принадлежностей, не рекомендованных к использованию с данным прибором, может быть опасным. Для работы должны использоваться только высокопрочные диски на органическом связывающем компаунде Типа 1, рассчитанные на скорость 4100 об/мин и выше. Рекомендованные дополнительные принадлежности, используемые с Вашим инструментом, можно приобрести за дополнительную плату у местного дилера или в авторизованном сервисном центре

Защита окружающей среды



Раздельный сбор. Данное изделие нельзя утилизировать вместе с обычными бытовыми отходами.

Если однажды Вы захотите заменить Ваш электроинструмент STANLEY, или Вы больше в нем не нуждаетесь, не выбрасывайте его вместе с бытовыми отходами. Отнесите изделие в специальный приемный пункт.



Фирма STANLEY обеспечивает прием и переработку отслуживших свой срок изделий STANLEY. Чтобы воспользоваться этой услугой, Вы можете сдать Ваше изделие в любой авторизованный сервисный центр, который собирает их по нашему поручению. Вы можете узнать место нахождения Вашего ближайшего авторизованного сервисного центра, обратившись в Ваш местный офис STANLEY по адресу, указанному в данном руководстве по эксплуатации. Кроме того, список авторизованных сервисных центров STANLEY и полную информацию о нашем послепродажном обслуживании и контактах Вы можете найти в интернете по адресу: www.2helpU.com.

Примечания

Политика STANLEY нацелена на постоянное усовершенствование нашей продукции, поэтому фирма оставляет за собой право изменять технические характеристики изделий без предварительного уведомления.

Стандартное оборудование и дополнительные принадлежности могут меняться в зависимости от страны продаж.

Технические характеристики продуктов могут различаться в зависимости от страны продаж.

Полная линия продуктов присутствует на рынках не всех стран. Для получения информации касательно линии продуктов в Вашей стране обратитесь в ближайший сервисный центр STANLEY.

ТЕХНИЧЕСКИЕ ХАРАКТЕРИСТИКИ

| МОНТАЖНАЯ ПИЛА | | SSC22 |
|-----------------------------|---------|---------|
| Напряжение | В | 220-240 |
| Частота | Гц | 50/60 |
| Потребляемая мощность | Вт | 2200 |
| Число оборотов без нагрузки | об/мин. | 3800 |
| Макс. диаметр диска | мм | 355 |
| Вес | кг | 15,5 |

STANLEY

Гарантийные условия

Уважаемый покупатель!

1. Поздравляем Вас с покупкой высококачественного изделия STANLEY и выражаем признательность за Ваш выбор.
2. При покупке изделия требуйте проверки его комплектности и исправности в Вашем присутствии, инструкцию по эксплуатации и заполненный гарантийный талон на русском языке.
В гарантийном талоне должны быть внесены: модель, дата продажи, серийный номер, дата производства инструмента; название, печать и подпись торговой организации. При отсутствии у Вас правильно заполненного гарантийного талона, а также несоответствия указанных в нем данных мы будем вынуждены отклонить Ваши претензии по качеству данного изделия.
3. Во избежание недоразумений убедительно просим Вас перед началом работы с изделием внимательно ознакомиться с инструкцией по его эксплуатации. Правовой основой настоящих гарантийных условий является действующее Законодательство. Гарантийный срок на данное изделие составляет 24 месяца и исчисляется со дня продажи. В случае устранения недостатков изделия, гарантийный срок продлевается на период его нахождения в ремонте. Срок службы изделия составляет 5 лет со дня продажи.
4. В случае возникновения каких-либо проблем в процессе эксплуатации изделия рекомендуем Вам обращаться только в уполномоченные сервисные центры STANLEY, адреса и телефоны которых Вы сможете найти в гарантийном талоне, на сайте www.2helpU.com или узнать в магазине. Наши сервисные станции - это не только квалифицированный ремонт, но и широкий ассортимент запчастей и принадлежностей.
5. Производитель рекомендует проводить периодическую проверку и техническое обслуживание изделия в уполномоченных сервисных центрах.

6. Наши гарантийные обязательства распространяются только на неисправности, выявленные в течение гарантийного срока и вызванные дефектами производства и \ или материалов.

7. Гарантийные условия не распространяются на неисправности изделия, возникшие в результате:

- 7.1. Несоблюдения пользователем предписаний инструкции по эксплуатации изделия, применения изделия не по назначению, неправильному хранении, использования принадлежности, расходных материалов и запчастей, не предусмотренных производителем.
- 7.2. Механического повреждения (сколы, трещины и разрушения) внутренних и внешних деталей изделия, основных и вспомогательных рукояток, сетевого электрического кабеля, вызванного внешним ударным или любым иным воздействием
- 7.3. Попадания в вентиляционные отверстия и проникновение внутрь изделия посторонних предметов, материалов или веществ, не являющихся отходами, сопровождающими применение изделия по назначению, такими как: стружка, опилки, песок, и пр.
- 7.4. Воздействий на изделие неблагоприятных атмосферных и иных внешних факторов, таких как дождь, снег, повышенная влажность, нагрев, агрессивные среды, несоответствие параметров питающей электросети, указанных на инструменте.
- 7.5. Стихийного бедствия. Повреждение или утрата изделия, связанное с непредвиденными бедствиями, стихийными явлениями, в том числе вследствие действия непреодолимой силы (пожар, молния, потоп и другие природные явления), а так же вследствие перепадов напряжения в электросети и другими причинами, которые находятся вне контроля производителя.

8. Гарантийные условия не распространяются:

- 8.1. На инструменты, подвергавшиеся вскрытию, ремонту или модификации вне уполномоченного сервисного центра.
- 8.2. На детали и узлы, имеющие следы естественного износа, такие как: приводные ремни и колеса, угольные щетки, смазка, подшипники, зубчатое зацепление редукторов, резиновые уплотнения, сальники, направляющие ролики, муфты, выключатели, бойки, толкатели, стволы, и т.п.
- 8.3. На сменные части: патроны, цанги, зажимные гайки и фланцы, фильтры, аккумуляторные батареи, ножи, шлифовальные подошвы, цепи, звездочки, пыльные шины, защитные кожухи, пилки, абразивы, пыльные и абразивные диски, фрезы, сверла, буры и т.п.
- 8.4. На неисправности, возникшие в результате перегрузки инструмента (как механической, так и электрической), повлекшей выход из строя одновременно двух и более деталей и узлов, таких как: ротора и статора, обеих обмоток статора, ведомой и ведущей шестерни редуктора или других узлов и деталей. К безусловным признакам перегрузки изделия относятся, помимо прочего: появление цветов побежалости, деформация или оплавление деталей и узлов изделия, потемнение или обугливание изоляции проводов электродвигателя под воздействием высокой температуры.



Изготовитель

Блэк энд Деккер Холдингс ГмБХ
Германия, 65510, Идштайн,
ул. Блэк энд Деккер, 40

Призначення

Дискова відрізна пила STANLEY SSC22 призначена для відрізання сталевих деталей різної форми. Цей інструмент призначений для професійного використання.

Вказівки з техніки безпеки

Загальні правила техніки безпеки під час роботи з електричним інструментом



Обережно! Уважно прочитайте всі попереджувальні написи та вказівки з техніки безпеки. Порушення наведених нижче попереджувальних написів і вказівок може призвести до ураження електричним струмом, пожежі та/або серйозних травм.



Обережно! Для зниження ризику виникнення пожежі, ураження електричним струмом, травмування та матеріального збитку, при роботі електричними інструментами необхідно завжди дотримуватись основних вказівок щодо безпечної роботи, включаючи наведені нижче. Перед експлуатацією цього інструменту прочитайте цю інструкцію і збережіть її.

Зберігайте всі попереджувальні написи та вказівки щодо безпечної роботи для використання в майбутньому. Термін «електричний інструмент», що використовується у всіх застережливих написах та вказівках щодо техніки безпеки, представлених нижче, відноситься до електричного інструменту, що працює від мережі (зі шнуром електроживлення) або від акумуляторної батареї (без шнура живлення).

1. Вказівки з техніки безпеки на робочому місці

- a. **Утримуйте робоче місце в чистоті і добре освітленим.** Безлад або погане освітлення на робочому місці можуть призвести до нещасного випадку.
- b. **Не працюйте з електроінструментом в місці зберігання вибухонебезпечних матеріалів, наприклад, у присутності легкозаймистих рідин, газів або пилу.** Електричні інструменти створюють іскри, що можуть запалити пил або пари.
- c. **Забороняється перебування дітей та сторонніх осіб поблизу працюючого електричного інструменту.** Ви можете відволіктися і втратити контроль за роботою інструменту.

2. Електрична безпека

- a. **Вилка шнура живлення інструмента повинна відповідати мережній розетці. Забороняється вносити будь-які зміни у вилку шнура живлення. Не використовуйте жодних вилок-перехідників із заземленими (зануленими) електроінструментами.** Відсутність змін у вилках шнурів живлення та відповідність електричних вилок і розеток знижує ризик ураження електричним струмом.

- b. **Не торкайтеся поверхонь заземлених чи занулених предметів, наприклад труб, радіаторів, електроплит або холодильників.** Заземлення чи занулення тіла підвищує ризик ураження електричним струмом.
- c. **Забороняється піддавати електричні інструменти впливу дощу чи підвищеної вологості.** При попаданні вологи всередину електричного інструмента підвищується ризик ураження електричним струмом.
- d. **Забороняється пошкоджувати шнур живлення. У жодному разі не використовуйте шнур живлення для перенесення чи зміни положення інструмента; не тягніть за шнур, виймаючи вилку з розетки. Не прокладайте шнур живлення поруч із гарячими предметами, мастилом, гострими кінцями і рухомими деталями.** Пошкодження й заплування шнурів живлення підвищує ризик ураження електричним струмом.
- e. **Під час роботи з електричним інструментом за межами приміщень використовуйте відповідний подовжувач.** Використання подовжувача, призначеного для роботи поза приміщеннями, знижує ризик ураження електричним струмом.
- f. **Якщо електричним інструментом необхідно користуватись у вологому місці, слід використовувати пристрій захисного відключення (ПЗВ) електричної мережі.** Використанн Примітка: Термін «пристрій захисного відключення» (ПЗВ) може бути замінений терміном «вимикач короткого замикання на землю» (ВКЗЗ) або терміном «автоматичний вимикач витоку на землю» (АВВЗ).я ПЗВ знижує ризик ураження електричним струмом.

3. Безпека персоналу

- a. **Під час роботи з електричним інструментом необхідно бути обачним, слідкувати за виконуваною роботою та керуватися здоровим глуздом.** Забороняється працювати з електричним інструментом у стані втоми чи під впливом наркотиків, алкоголю й лікарських препаратів. Ослаблення уваги навіть на мить може призвести до серйозної травми.
- b. **Використовуйте засоби індивідуального захисту. Завжди користуйтеся засобами захисту очей.** Використання у відповідних умовах засобів індивідуального захисту, наприклад пилозахисної маски, протиковзного захисного взуття, захисної каски або засобів захисту органів слуху, завжди знижує ризик отримання травми.
- c. **Не допускайте ненавмисного вмикання інструмента. Перш ніж підключити джерело живлення та/або акумулятор, піднімати чи переносити інструмент, переконайтесь, що його вимикач переведено у положення «вимкнено».** Якщо тримати палець на вимикачі під час перенесення інструмента чи підключення увімкненого інструмента до мережі, це підвищує ризик нещасного випадку.

- d. **Перш ніж увімкнути електричний інструмент, обов'язково вийміть із нього регулювальний чи гайковий ключ.** Ключ, залишений ключ на обертальній деталі інструмента, може призвести до травмування.
- e. **Не намагайтеся дотягнутися до важкодоступних місць. Завжди міцно тримайтеся на ногах і зберігайте рівновагу під час роботи.** Це дозволяє краще контролювати електричний інструмент у непередбачуваних ситуаціях.
- f. **Одягайте відповідний одяг. Забороняється одягати вільний одяг або прикраси. Волосся, одяг та рукавиці повинні знаходитися на максимальній відстані від рухомих деталей інструмента.** Вільний одяг, прикраси або довге волосся можуть бути захоплені рухомими деталями.
- g. **Якщо встановлені пристрої підключення засобів пиловловлювання та пилозбірників, необхідно перевіряти, щоб вони були підключені та використовувалися належним чином.** Використання цих пристроїв знижує рівень ризику, пов'язаного з пилом.
4. **Використання та догляд за електричним інструментом**
- a. **Не застосовуйте надмірне зусилля до електричного інструмента. Використовуйте електричний інструмент тільки за призначенням.** Правильно підібраний електроінструмент дозволить виконати роботу краще і безпечніше при швидкості, для якої він був розроблений.
- b. **Забороняється використовувати цей електричний інструмент, якщо не вдається ввімкнути чи вимкнути його вимикачем.** Будь-який електричний інструмент, роботою якого неможливо керувати за допомогою вимикача, є небезпечним, і його обов'язково потрібно відремонтувати.
- c. **Перш ніж регулювати електричний інструмент, замінювати на ньому приладдя чи класти на зберігання, необхідно витягти вилку живлення з розетки та/або зняти з нього акумулятор.** Такий превентивний захід безпеки знижує ризик випадкового увімкнення інструмента.
- d. **Зберігайте електричний інструмент, який в даний момент не використовується, в недоступному для дітей місці та не дозволяйте працювати з інструментом особам, які не знайомі з ним або з цими вказівками.** Електричний інструмент є небезпечним в руках ненавченої людини.
- e. **Підтримуйте інструмент в робочому стані. Перевіряйте центрування та з'єднання рухомих деталей, наявність пошкоджених деталей та будь-які фактори, які можуть негативно позначитися на роботі електричного інструмента.** У разі виявлення пошкодження електричний інструмент необхідно відремонтувати перед

використанням. Багато нещасних випадків трапляється через неналежне технічне обслуговування електричних інструментів.

- f. **Ріжучі інструменти мають бути загостреними й чистими.** Підтримуваний у належному робочому стані ріжучий інструмент з гострими лезами менше застряє, ним легше керувати.
- g. **Використовуйте електричний інструмент, приладдя, вставні різці і т. п. відповідно до даних вказівок, враховуючи умови експлуатації та роботу, яка має бути виконана.** Використання електричного інструменту не за призначенням може призвести до небезпечної ситуації.
5. **Обслуговування**
- a. **Обслуговувати електричний інструмент повинен тільки кваліфікований ремонтний персонал із використанням лише ідентичних запасних частин.** Це забезпечить утримання електричного інструмента у безпечному стані.

ЗАХОДИ З ТЕХНІКИ БЕЗПЕКИ ПРИ РОБОТІ З ВІДРІЗНОЮ ПИЛОЮ

- **Завжди використовуйте належні засоби захисту очей і органів дихання.**
- **Перед використанням перевірте відрізний диск на наявність технологічних дефектів і тріщин. Якщо такий дефект або тріщина будуть знайдені, відрізний диск необхідно утилізувати.** Диск також необхідно оглянути, якщо є підозра, що він падав. Дефекти можуть призвести до руйнування диску.
- **Якщо при встановленні нового або заміні диска ви не впевнені у доброму стані диска, увімкніть інструмент у добре захищеному місці і дайте попрацювати протягом однієї хвилини.** Якщо диск має невиявлені дефекти він зруйнується менш ніж за хвилину. Під час роботи ніхто не повинен перебувати на одній лінії зі шліфувальним колом. Це стосується також і шліфувальника.
- **Під час експлуатації уникайте підсакування диску або його надмірного навантаження.** Якщо це трапилось, зупиніть інструмент і обстежте диск на наявність пошкоджень та тріщин.
- **Періодично очищайте відрізний інструмент, дотримуючись рекомендацій, наведених у цій інструкції.**
- **Заборонено знімати захисні кожухи або станину інструменту.**
- **ЗАВЖДИ ВИКОРИСТОВУЙТЕ ЛИЩАТА АБО СПЕЦІАЛЬНИЙ ЗАЖИМ ДЛЯ ФІКСАЦІЇ ОБРОБЛЯЄМОЇ ДЕТАЛІ.** Для деяких деталей особливої форми чи розміру необхідно використовувати інші допоміжні засоби, такі як: пружина, брус або С-подібний затискач. При виборі і розташуванні таких допоміжних приладь будьте обережні і зробіть пробний відріз без деталі.

- Використовуйте лише 14" диски, тип 1, які розраховані на експлуатацію при 4100 обертах на хвилину або більше.
- Перед тим як брати відрізані деталі почекайте, поки вони охолонуть.
- Заборонено різати даним інструментом дерев'яні або пластикові деталі.
- **ЗАБОРОНЕНО РІЗАТИ ДАНИМ ІНСТРУМЕНТОМ ДЕТАЛІ З МАГНІЮ.**
- У випадку коли фрагменти деталі, що обробляється, застрягають між відрізним диском і захисними кожухами, від'єднайте інструмент від електромережі. Необхідно витягнути фрагменті, що застрягли, і установити дискову на своє місце.
- Використовуйте дискову пилу в місцях, які добре вентиліюються.
- Перед видаленням будь-чого зі станини відрізного дискового інструменту вимкніть його.
- **ЗАБОРОНЕНО РІЗАТИ МАТЕРІАЛ, ЯКИЙ ЗНАХОДИТЬСЯ ПІД СТРУМОМ.**
- Заборонено використовувати відрізні дискові пили із зубцями або будь-які інші диски із зубцями на цьому інструменті. Це може призвести до серйозного травмування.
- **ЗАБОРОНЯЄТЬСЯ ЕКСПЛУАТАЦІЯ ЦЬОГО ІНСТРУМЕНТУ ПОБЛИЗУ ЛЕГКОЗАЙМИСТИХ РІДИН, ГАЗІВ АБО ПИЛУ.** Іскри або гарячі частинки, що розлітаються під час відрізання, а також іскріння щіток електродвигуна можуть призвести до займання горючих матеріалів.
- Заборонено використовувати бокову поверхню абразивного диску для зняття задирок на заготовках. Дана процедура значно зменшує міцність диску, що може призвести до виникнення небезпеки. Диск може розлетітися на шматки.
- **УВАГА! При роботі з інструментом використовуйте відповідні засоби захисту органів слуху.** За деяких умов та тривалості використання, шум, спричинений цим виробом, може призвести до втрати слуху.
- **УВАГА!** Відбивач іскр дуже нагрівається. Не торкайтесь його і не виконуйте будь-якого налаштування. Тримайте кабелі та матеріали на відстані від відбивача іскр.
- **Уникайте тривалого контакту з пилом, який створюється під час шліфування, зачищення, обробки, свердління та інших будівельних робіт, що виконуються електроінструментом. Надягайте захисний одяг та мийте забруднені ділянки шкіри водою з милом. Потрапляння пилу до рота, очей, осідання на шкіру може призвести до накопичення шкідливих хімічних речовин.**
- **ОБЕРЕЖНО!** Завжди використовуйте засоби захисту органів дихання для захисту від пилу, які схвалені відповідними органами з охорони праці. Запобігайте

потраплянню часток матеріалу, що обробляється на обличчя і тіло. Для зручності і безпеки наступні попереджувальні знаки розташовані на 14" (355 мм) дисковому відрізному інструменті:

- **ДЛЯ БЕЗПЕЧНОЇ ЕКСПЛУАТАЦІЇ ПРОЧИТАЙТЕ ЦЮ ІНСТРУКЦІЮ З ЕКСПЛУАТАЦІЇ.**
- **НЕ ВИКОРИСТОВУЙТЕ ДИСКИ ІЗ ЗУБЦЯМИ.**
- **ВИКОРИСТОВУЙТЕ ЛИШЕ АРМОВАНІ ДИСКИ, ЯКІ РОЗРАХОВАНІ НА ЕКСПЛУАТАЦІЮ ЗІ ШВИДКОСТЮ ОБЕРТАННЯ 4100 ОБЕРТІВ НА ХВИЛИНУ АБО ВИЩЕ.**
- **ПРИ ОБСЛУГОВУВАННІ ВИКОРИСТОВУЙТЕ ТІЛЬКИ ІДЕНТИЧНІ ЗАПАСНІ ЧАСТИНИ.**
- **ЗАВЖДИ: ВИКОРИСТОВУЙТЕ ЗАСОБИ ЗАХИСТУ ОЧЕЙ, ЗАХИСНІ КОЖУХИ, ФІКСУЙТЕ ЗАГОТОВКИ У ЛЕЩАТАХ, ВИКОРИСТОВУЙТЕ НАЛЕЖНІ ЗАСОБИ ЗАХИСТУ ОРГАНІВ ДИХАННЯ.**
- **ЗАВЖДИ ЗБЕРІГАЙТЕ ВІДРІЗНІ ДИСКИ В ДОБРЕ ЗАХИЩЕНОМУ І СУХОМУ МІСЦІ, В ЯКЕ НЕ МОЖУТЬ ПОТРАПИТИ ДІТИ**
- **ВИКОРИСТОВУЙТЕ ЛИШЕ ДИСКИ З МАКС. ТОВЩИНОЮ 3,0 ММ І МАКС. ДІАМЕТРОМ 355 ММ.**

НАКЛЕЙКИ НА ІНСТРУМЕНТІ

До поверхні інструменту разом з кодом дати прикріплені наступні графічні зображення:

| | | | |
|---|---|---|--|
|  | ОБЕРЕЖНО! ДЛЯ ЗНИЖЕННЯ РИЗИКУ ТРАВМУВАННЯ ОПЕРАТОР ПОВИНЕН ПРОЧИТАТИ ЦЮ ІНСТРУКЦІЮ З ЕКСПЛУАТАЦІЇ ПЕРЕД ПОЧАТКОМ РОБОТИ. | | |
|  | Застосовуйте засоби захисту органів слуху. | | |
|  | Використовуйте відкриті і закриті захисні окуляри. | | |
| V | Напруга | === | Постійний струм |
| A | Ампери | I_0 | Швидкість холостого ходу |
| Гц | Герци |  | Конструкція класу II |
| Вт | Вати |  | Клема заземлення |
| хв. | хвилини |  | Попереджувальний знак |
|  | Змінний струм | /хв | Кількість обертів або зворотно-поступальних рухів за хвилину |

Розташування коду дати (PIS. A)

Штрих-код з датою (10), який також включає рік виготовлення, надрукований на корпусі.

Приклад:

2017 XX JN
Рік виготовлення

ВМІСТ УПАКОВКИ

Упаковка містить:

- 1 відрізний інструмент
- 1 абразивний диск для обробки металу діаметром 355 мм
- 1 гайковий ключ
- 1 інструкцію з експлуатації
- Перевірте, чи не має інструмент, його деталі та приладдя пошкоджень, які могли з'явитися під час транспортування.
- Перш ніж починати роботу з інструментом, уважно прочитайте і вивчіть вказівки, які містяться у цій інструкції.

ЕЛЕКТРИЧНА БЕЗПЕКА



Цей інструмент має подвійну ізоляцію, тому дріт заземлення для нього не потрібен. Переконайтесь, що мережева напруга відповідає значенню, зазначеному в таблиці з паспортними даними.



У разі пошкодження кабелю живлення, щоб уникнути виникнення небезпечних ситуацій, його заміну повинен виконати виробник обладнання або уповноважений сервісний центр STANLEY.

ВИКОРИСТАННЯ ПОДОВЖУВАЧА

Якщо необхідно використовувати подовжувач, користуйтеся сертифікованим подовжувачем, який відповідає споживаній потужності інструмента. Мінімальна площа поперечного перерізу електричного дроту становить 1,5 кв. мм. Кабелі перед намотуванням на барабан необхідно розплутати.

| Площа поперечного перетину кабелю (мм ²) | Номинальний струм кабелю (Ампер) |
|--|----------------------------------|
| 0,75 | 6 |
| 1,00 | 10 |
| 1,50 | 15 |
| 2,50 | 20 |
| 4,00 | 25 |

| Довжина кабелю (м) | | | | | | |
|--------------------|-----|----|----|----|----|----|
| | 7,5 | 15 | 25 | 30 | 45 | 60 |

| Напруга | Ампер | Номинальний струм кабелю (Ампер) | | | | | |
|---------|-------------|----------------------------------|----|----|----|----|----|
| | | 6 | 6 | 6 | 6 | 6 | 10 |
| 110-127 | 0 - 2,0 | 6 | 6 | 6 | 6 | 6 | 10 |
| | 2,1 - 3,4 | 6 | 6 | 6 | 6 | 15 | 15 |
| | 3,5 - 5,0 | 6 | 6 | 10 | 15 | 20 | 20 |
| | 5,1 - 7,0 | 10 | 10 | 15 | 20 | 20 | 25 |
| | 7,1 - 12,0 | 15 | 15 | 20 | 25 | 25 | - |
| | 12,1 - 20,0 | 20 | 20 | 25 | - | - | - |
| 220-240 | 0 - 2,0 | 6 | 6 | 6 | 6 | 6 | 6 |
| | 2,1 - 3,4 | 6 | 6 | 6 | 6 | 6 | 6 |
| | 3,5 - 5,0 | 6 | 6 | 6 | 6 | 10 | 15 |
| | 5,1 - 7,0 | 10 | 10 | 10 | 10 | 15 | 15 |
| | 7,1 - 12,0 | 15 | 15 | 15 | 15 | 20 | 20 |
| | 12,1 - 20,0 | 20 | 20 | 20 | 20 | 25 | - |

ДЕТАЛІ ІНСТРУМЕНТА (РИС. 1, 4)

Цей інструмент може мати усі або деякі з перерахованих нижче функцій.

1. Гвинт відбивача іскр
2. Відбивач іскр
3. Станина
4. Обмежувач
5. Лещата
6. Багатогранний гайковий ключ
7. Колінчата ручка
8. Рівень лещат
9. Диск
10. Запобіжний кожух
11. Кнопка фіксації шпінделя
12. Стопорний гвинт і стопорна гайка
13. Курковий вимикач з положеннями ВКЛ./ВИКЛ
14. Отвір для висячого замка
15. Болти для обмежувача
23. Стопорний штифт

ЕЛЕКТРОЖИВЛЕННЯ

Переконайтесь, що джерело струму відповідає маркуванню на паспортній табличці. Якщо напруга буде більшою на 10%, це призведе до падіння потужності і перегріву.

ТОВЩИНА ВИРОБУ, ЯКИЙ РОЗРІЗУЄТЬСЯ

Широкий отвір лещат і високе розташування петлі забезпечують можливість обробки великих заготовок. Використовуйте таблицю діаметрів заготовок, які можуть різатись новим диском.



УВАГА! ДЛЯ ДЕЯКИХ ВЕЛИКИХ ЗАГОТОВОК, ГРУГЛОЇ АБО НЕСТАНДАРТНОЇ ФОРМИ, МОЖЕ ЗНАДОБИТИСЯ ДОДАТКОВЕ ПРИЛАДДЯ ДЛЯ ЇХ ФІКСАЦІЇ, ЯКЩО ТАКІ ЗАГОТОВКИ НЕМОЖЛИВО НАДІЙНО ЗАФІКСУВАТИ У ЛЕЩАТАХ.



УВАГА! ЗАБОРОНЕНО РІЗАТИ ДАНИМ ІНСТРУМЕНТОМ ДЕТАЛІ З МАГНІЮ

МАКСИМАЛЬНА ТОВЩИНА ВИРОБУ, ЯКИЙ РОЗРІЗУЄТЬСЯ

ПРИМІТКА: Розрізання заготовок максимальної товщини, яка вказана у таблиці, допустиме при умові, що диск не зношений, а положення обмежувача оптимальне.

| Форма заготовки: | | | | |
|------------------|------------------------|------------------------|---|-----------------------|
| Кут розрізу 90° | A = 125 мм (4-7/8") | A = 115мм (4-1/2") | 115мм x 130мм (4-1/2" x 5-1/8") 102мм x 178мм (4" x 7") 76мм x 204мм (3" x 8") | A = 120мм (4-3/4") |
| Кут розрізу 45° | A = 115мм (4-1/2") | A = 98мм (3-13/16") | 95мм x 105мм (3-3/4" x 4-1/8") | A = 105мм (4-1/8") |

Для переміщення (рис. А)

Нагніть робочу частину з диском, щоб інструмент було зручно переносити. Вставте стопорний штифт (23), щоб заблокувати робочу частину в нижньому положенні.

Інструкції з встановлення (рис. С)

Зафіксуйте інструмент у стабільному положенні крізь монтажні отвори за допомогою 2 болтів М10.

Розблокування (рис. А)

Для розблокування інструменту і підйому робочої частини, злегка натисніть на кронштейн двигуна і витягніть стопорний штифт (23). Кронштейн двигуна потрібно потім повернути в попереднє положення.

Регулювання відбивача іскр (рис. А)

Налаштуйте відбивач іскр таким чином, щоб направити іскри від оточуючих людей і матеріалів, для цього відпустіть гвинт (1), відрегулюйте відбивач іскр (2) і потім затягніть гвинт знову. Запобігайте контакту кабелю з відбивачем і попадання іскр на кабель, інакше можливе пошкодження кабелю.

Обмежувач глибини опускання робочого органу (рис. А)

Обмежувач глибини налаштований на заводі таким

чином, щоб не пошкоджувати поверхню станини при використанні 14" дисків. Для забезпечення більшої глибини відрізання гайковим ключем (не входить до комплексу поставки) відпустіть стопорний гвинт (12) і підніміть болт на потрібну висоту, після цього поверніть стопорну гайку (12) у напрямку годинникової стрілки до надійного її фіксування. Надійно затягніть стопорний болт перед вмиканням інструменту.



УВАГА! При встановленні нового диску повторно відрегулюйте положення стопорного болта, тобто поверніть його у попереднє положення, з метою запобігання пошкодження поверхні станини.

Курковий вимикач з блокуванням (рис. А)

Для запуску інструменту натисніть курковий вимикач (13), потім натисніть кнопку блокування для збереження положення вимикача. Для вимикання інструменту натисніть вимикач знову і натисніть кнопку блокування. Запобігайте торканню диску руками або чимось іншим поки диск обертається по інерції до його повної зупинки. Для запобігання неавторизованого використання інструменту установіть стандартний висячий замок (не входить до комплексу поставки) у отвори для висячого замка (14), які розташовані біля вимикача.

ФІКСАЦІЯ І ПІДТРИМКА ЗАГОТОВОК

- Кут відрізу найкраще досягається, якщо заготовка фіксується і розрізується, коли обидві опори впираються у станину.
- Може використовуватись розпірний блок, який повинен бути трошки більше, ніж заготовка, для підвищення ефективності диску (рис. В).
- Довгі заготовки повинні підтримуватись блоком, щоб їх рівень збігався з верхньою поверхнею станини (Рис. С). Кінець відрізання повинен бути вільним для падіння і запобігання заклинювання диску.

Використання лещат (рис. D)

Лещата (5) мають конструкцію, яка дозволяє забезпечити швидку фіксацію. Щоб послабити лещата коли вони міцно стиснуті, поверніть колінчасту ручку (7) проти годинникової стрілки один чи два рази, щоб розтиснути їх.

Підніміть важіль лещат (8) вгору. Відтягніть блок колінчастої ручки на потрібну відстань. Для затискання штовхайте лещата вперед без застосування колінчастої ручки. Опустіть важіль лещат (8), потім затисніть лещата (5) за допомогою колінчастої ручки (7).

Обмежувач (рис. Е, F)



УВАГА! Перш ніж приступити до виконання будь-яких налаштувань, демонтажу та встановлення кріплення та приладдя, вимкніть інструмент та вийміть штепсельну вилку з мережевої розетки. Переконайтесь, що курковий вимикач у положенні ВИКЛ. Обмежувач (4) має два режими налаштування: регулювання потрібного кута відрізання і зміна відстані між обмежувачем і лещатами.

Зміна потрібного кута відрізання

За допомогою гайкового ключа, який входить до комплекту поставки, ослабте (не витягуйте) два болта обмежувача (15). Необхідно сумістити ризику потрібного кута з ризику на отворі (16) на станині (3). Надійно затягніть обидва стопорних болта обмежувача перед вмиканням інструменту. Для більш акуратних відрізів на заготовках з квадратним поперечним перерізом натисніть на кронштейн двигуна, щоб диск торкнувся станини. Установіть квадратну заготовку навпроти диска і відрегулюйте обмежувач по відношенню до квадратної заготовки. Надійно затягніть обидва стопорних болта обмежувача перед вмиканням інструменту. При відрізання конусоподібних заготовок, лещата (5) можуть не забезпечувати надійної фіксації, що залежить від товщини заготовки і кута конусу. Необхідно застосовувати інші приладдя для фіксації заготовок (пружина, брус або С-подібні кліщі) для відрізання.

Для зміни відстані між обмежувачем і лещатами

За допомогою гайкового ключа, який входить до комплекту поставки, ослабте і витягніть два болта обмежувача (15). Відрегулюйте положення обмежувача (4). Вставте обидва болта обмежувача у відповідні отвори. Надійно затягніть обидва стопорних болта обмежувача перед вмиканням інструменту.

Знімання і встановлення дисків (рис. G, H)



УВАГА! Перш ніж приступити до виконання будь-яких налаштувань, демонтажу та встановлення кріплення та приладдя, вимкніть інструмент та вийміть штепсельну вилку з мережевої розетки. Переконайтесь, що курковий вимикач у положенні ВИКЛ. Забороняється виконувати будь-які налаштування до повної зупинки диску. Забороняється виконувати будь-які налаштування, якщо відрізна пила увімкнута в мережу електроживлення.

1. Натисніть стопор шпінделя (11) і перевірте диск (9) вручну до моменту входження важеля стопора диску

в отвір внутрішнього фланця (17) для блокування диску. Послабте болт (18), відкрутив його проти годинникової стрілки в центрі абразивного диску за допомогою багатогранного гайкового ключа М10 (6). Болт має правосторонню різьбу.

2. Витягніть болт (18), зніміть шайбу (19), фланець (20) і старий диск (9).
3. Переконайтесь, що поверхні фланця чисті і рівні. Установіть новий абразивний диск у зворотньому порядку.
4. Не затягуйте болт з надмірним зусиллям.



ОБЕРЕЖНО! Перевірте робочу поверхню, на яку спирається диск, під час його заміни. Можливо торкання диском БУДЬ-ЯКИХ ПРЕДМЕТІВ АБО КОНСТРУКЦІЙ, ЯКІ ПІДНИМАЮТЬСЯ НАД робочою поверхнею (під станиною) при повністю опущеному робочому органі.

ОБЕРЕЖНО! Завжди перевіряйте наявність гвинтів на захисних кожухах та належне розташування центрального захисту після заміни диску і перед початком роботи з метою забезпечення користувачів від диска, який швидко обертається.

Підказки для отримання більш акуратних відрізів

- Зробіть відріз диском. Надмірне зусилля притискання спричиняє зменшення ефективності різання і/або відхилення, яке призводить до неакуратних зрізів.
- Належним чином відрегулюйте кут обмежувача.
- Переконайтесь, що заготовка лежить рівно на станині.
- Належним чином фіксуйте заготовку, щоб уникнути її зсуву і вібрації.

Огляд і заміна щіток двигуна (рис. I)



ОБЕРЕЖНО! Вимкніть інструмент і відключіть від розетки шнур його живлення. Переконайтесь, що курковий вимикач у положенні ВИКЛ. Щітки повинні регулярно оглядатись на наявність зношування. Для того, щоб оглянути щітки, відкрутіть два гвинти торцевої кришки (21) і зніміть кришку (22). Зніміть кришку щітки (24). Щітки (25) повинні вільно ковзати у тримачі щіток. Якщо щітки зношені до рівня 3" (8 мм), як показано на Рисунок I, вони підлягають заміні. Помістіть нову щітку у тримач. Під час заміни щіток звертайте увагу на їх орієнтацію. Установіть кришку щіток (не затягуйте з надмірним зусиллям). Установіть торцеву кришку і два гвинти. Надійно затягніть.

Догляд за інструментом

Не допускайте надмірного навантаження інструменту. Надмірне навантаження призводить до зниження швидкості і продуктивності, а також перегріву. В такому випадку дайте інструменту попрацювати протягом однієї або двох хвилин до моменту охолодження до звичайної робочої температури за допомогою вбудованого вентилятора. Вимкнення інструменту в режимі роботи під навантаженням призведе до скорочення терміну служби перемикача.

Важливо

Щоб гарантувати БЕЗПЕКУ та НАДІЙНІСТЬ інструменту, ремонт, обслуговування та регулювання (окрім описаних в цій інструкції) повинні виконувати уповноважені сервісні центри чи інші кваліфіковані організації; для виконання цих робіт обов'язково слід використовувати ідентичні запасні частини. Виріб не містить деталей, призначених для обслуговування користувачем. Видавайте пил і абразивні частки з корпусу за допомогою сухого повітря під тиском по мірі накопичення бруду всередині і навколо вентиляційних отворів. Завжди використовуйте належні засоби захисту очей і органів дихання.

ПРИМІТКА: Інструмент можливо обладнати кабелем живлення з 3-контактною вилкою з фіксацією повертанням у авторизованому сервісному центрі.

ТЕХНІЧНЕ ОБСЛУГОВУВАННЯ

Конструкція вашого дротового/бездротового побутового приладу/інструмента STANLEY розрахована на роботу протягом тривалого періоду часу при мінімальному технічному обслуговуванні. Щоб забезпечити належне виконання робочих операцій, необхідно регулярно виконувати технічне обслуговування і очищення інструмента.



ОБЕРЕЖНО! Для зменшення ризику травмування вимикайте інструмент і від'єднайте його від мережі електроживлення перед встановленням і зміненням зняття, перед налаштуванням, зміною регулювань і ремонтом. Переконайтесь, що курковий вимикач у положенні ВИКЛ. Раптове вмикання може призвести до травмування.

- Ця машина не призначена для обслуговування користувачем. Якщо виникають неполадки, звертайтеся до авторизованого сервісного центру.
- Інструмент автоматично вимикається, якщо графітові щітки мають критичний рівень зношення.

ОБЕРЕЖНО! Перед виконанням будь-яких робіт з технічного обслуговування інструмента з дротовим/бездротовим живленням:

- Вимкніть пристрій / інструмент і відключіть від розетки шнур його живлення.
- Або вимкніть побутовий прилад/інструмент і відстаньте з нього акумуляторну батарею, якщо побутовий прилад/інструмент обладнаний окремим батарейним відсіком.
- Або дайте акумуляторній батареї розрядитися до кінця, якщо вона є вбудованою, потім вимкніть побутовий прилад.
- Перед проведенням очищення зарядного пристрою вийміть його штепсельну вилку з розетки. Крім періодичної очистки, ваш зарядний пристрій не вимагає інших операцій технічного обслуговування.
- Регулярно очищуйте вентиляційні прорізи в інструменті/приладді/зарядному пристрої за допомогою м'якої щітки або сухої тканини.
- Регулярно очищуйте корпус двигуна за допомогою вологої тканини. Не використовуйте для очищення абразивні матеріали та засоби очищення на основі розчинників.
- Регулярно розкривайте й вибивайте затискний патрон (якщо його встановлено) для видалення пилу з його внутрішньої частини.

Змащування



Електроінструменти Stanley належним чином змащені на заводі і готові до використання. Залежно від режиму використання, інструменти слід регулярно змащувати. Таке змащування мають виконувати тільки досвідчені спеціалісти з обслуговування електричного інструмента, наприклад працівники уповноважених сервісних центрів Stanley або інші кваліфіковані спеціалісти з обслуговування.

Усюди використовуються шарикопідшипники закритого типу зі змазкою. Ці підшипники мають достатньо змазки, яка була запресована в них на заводі, що дозволяє їх експлуатувати без обслуговування протягом усього строку експлуатації відрізної пили.

Очищення



Обережно! Перед очищенням корпусу від'єднайте інструмент від мережі електроживлення. Принаймні один раз на тиждень видавайте бруд і пил з вентиляційних отворів за допомогою стиснутого сухого повітря при працюючому двигуні. При виконанні цієї процедури одягайте захисні окуляри. Зовнішні пластикові елементи можуть очищуватися вологою тканиною і м'яким миючим засобом. Хоча ці елементи стійкі до впливу розчинників, НІКОЛИ не використовуйте розчинники для їх очищення.



Видуйте пил і абразивні частки з корпусу за допомогою сухого повітря під тиском по мірі накопичення бруду всередині і навколо вентиляційних отворів. Завжди використовуйте належні засоби захисту очей і органів дихання.

АКСЕСУАРИ

Ефективність роботи будь-якого електричного інструмента залежить від використовуваного приладдя. Приладдя Stanley розроблено відповідно до високих стандартів якості, і його конструкція розширює можливості інструмента.

Примітка: Аксесуари повинні бути розраховані на експлуатацію зі швидкістю обертання рівною або більшою, ніж та, яка зазначена на табличці з паспортними даними.



УВАГА! Використання будь-яких інших аксесуарів на цьому інструменті не рекомендується, так як підвищує рівень небезпеки. Використовуйте лише диски підвищеної міцності, тип 1, з органічним в'язучим, які розраховані на експлуатацію при 4100 обертах на хвилину або більше. Придбання аксесуарів для вашого інструменту можливе за додаткові кошти у вашого місцевого дилера або в авторизованому сервісному центрі.

Захист навколишнього середовища



Окреме збирання. Цей продукт не можна викидати разом зі звичайним побутовим сміттям.

Якщо якимось ви вирішите, що ваш виріб фірми STANLEY має бути замінено, або він вам більше не потрібний, не викидайте його на смітник побутового сміття. Зробіть цей виріб доступним для спеціального збирання.



Компанія STANLEY має можливість для збору та переробки продуктів власного виробництва після закінчення їхнього терміну служби. Щоб скористатися цією послугою, поверніть виріб компанії в офіційний сервісний центр, які збирають відпрацьовані продукти за наш рахунок.

Ви можете знайти місцезнаходження найближчого до Вас сервісного центру, зв'язавшись з місцевим офісом компанії STANLEY за адресою, вказаною в цих інструкціях. Крім того, список офіційних сервісних центрів компанії STANLEY з усіма подробицями нашого післяпродажного обслуговування та контактною інформацією міститься в Інтернеті за адресою: www.2helpU.com

Примітка

Одним із принципів політики STANLEY є постійне

вдосконалення наших продуктів, тому ми залишаємо за собою право змінювати характеристики наших продуктів без попереднього сповіщення.

Перелік стандартного та додаткового обладнання може різнитися в залежності від країни.

Технічні характеристики виробів можуть різнитися залежно від країни.

Повна лінійка продуктів може бути доступна не в усіх країнах.

З питання наявності наших продуктів зверніться до дилерів STANLEY.

ТЕХНІЧНІ ДАНІ

| ВІДРІЗНА ПИЛА | | SSC22 |
|--------------------------|------|-----------|
| Напруга | V | 220 – 240 |
| Частота | Гц | 50/60 |
| Споживана потужність | Вт | 2200 |
| Швидкість холостого ходу | мін. | 3800 |
| Макс. діаметр | мм | 355 |
| Вага | кг | 15,5 |

STANLEY

Гарантійні умови

Шановний покупець!

1. Вітаємо Вас з покупкою високоякісного виробу STANLEY і висловлюємо вдячність за Ваш вибір.

2. При покупці виробу вимагайте перевірки його комплектності і справності у Вашій присутності, інструкцію з експлуатації та заповнений гарантійний талон українською мовою

В гарантійному талоні повинні бути внесені: модель, дата продажу, серійний номер, дата виробництва інструменту; назва, печатка і підпис торгової організації. За відсутності у Вас правильно заповненого гарантійного талону, а також при невідповідності зазначених у ньому даних ми будемо змушені відхилити Ваші претензії щодо якості даного виробу.

3. Щоб уникнути непорозумінь, переконливо просимо Вас перед початком роботи з виробом уважно ознайомитися з інструкцією з його експлуатації. Правовою основою справних гарантійних умов є чинне Законодавство. Гарантійний термін на даний виріб складає 24 місяці і обчислюється з дня продажу. У разі усунення недоліків виробу, гарантійний строк продовжується на період його перебування в ремонті. Термін служби виробу становить 5 років з дня продажу.

4. У разі виникнення будь-яких проблем у процесі експлуатації виробу рекомендуємо Вам звертатися тільки в уповноважені сервісні центри STANLEY, адреси та телефони яких Ви зможете знайти в гарантійному талоні, на сайті www.2helpU.com або дізнатися в магазині. Наші сервісні станції - це не тільки кваліфікований ремонт, але і широкий асортимент запчастин і аксесуарів.

5. Виробник рекомендує проводити періодичну перевірку і технічне обслуговування виробу в уповноважених сервісних центрах.

6. Наші гарантійні зобов'язання поширюються тільки на несправності, виявлені протягом гарантійного терміну і викликані дефектами виробництва та \ або матеріалів.

7. Гарантійні умови не поширюються на несправності виробу, що виникли в результаті:

7.1 Недотримання користувачем приписів інструкції з експлуатації виробу, застосування виробу не за призначенням, неправильного зберігання, використання приладдя, витратних матеріалів і запчастин, що не передбачені виробником.

7.2 Механічного пошкодження (відколи, тріщини і руйнування) внутрішніх і зовнішніх деталей виробу, основних і допоміжних рукояток, мережевого кабелю, що викликані зовнішнім ударним або будь-яким іншим впливом

7.3 Потрапляння у вентиляційні отвори та проникнення всередину виробу сторонніх предметів, матеріалів або речовин, що не є відходами, які супроводжують застосування виробу за призначенням, такими як: стружка, тирса, пісок, та ін.

7.4 Впливу на виріб несприятливих атмосферних і інших зовнішніх факторів, таких як дощ, сніг, підвищена вологість, нагрівання, агресивні середовища, невідповідність параметрів електромережі, що зазначені на інструменті.

7.5 Стихійного лиха. Пошкодження або втрати виробу, що пов'язані з непередбаченими лихами, стихійними явищами, у тому числі внаслідок дії непереборної сили (пожежа, блискавка, потоп і інші природні явища), а також внаслідок перепадів напруги в електромережі та іншими причинами, які знаходяться поза контролем виробника.

8. Гарантійні умови не поширюються:

8.1. На інструменти, що піддавались розкриттю, ремонту або модифікації поза уповноваженим сервісним центром.

8.2. На деталі, вузли та матеріали, що мають сліди природного зносу, такі як: приводні ремені і колеса, вугільні щітки, мастило, підшипники, зубчасті зчеплення редукторів, гумові ущільнення, сальники, направляючі ролики, муфти, вимикачі, бойки, штовхачі, ствольні тощо.

8.3. На змінні частини: патрони, цанги, затискові гайки і фланці, фільтри, акумуляторні батареї, ножі, шліфувальні підшви, ланцюги, зірочки, пильні шини, захисні кожухи, пилки, абразиви, пильні і абразивні диски, фрези, свердла, бури тощо

8.4. На несправності, що виникли в результаті перевантаження інструменту (як механічного, так і електричного), що спричинили вихід з ладу одночасно двох і більше деталей і вузлів, таких як: ротора і статора, обох обмоток статора, веденої і ведучої шестерень редуктора або інших вузлів і деталей. До безумовних ознак перевантаження виробу відносяться, крім інших: поява кольорів мінливості, деформація або оплавлення деталей і вузлів виробу, потемніння або обуглювання ізоляції проводів електродвигуна під впливом високої температури.



060

Виробник:

"Stanley Black & Decker Deutschland GmbH" Black-&-Decker Str.40, D-65510 Idstein, Німеччина

