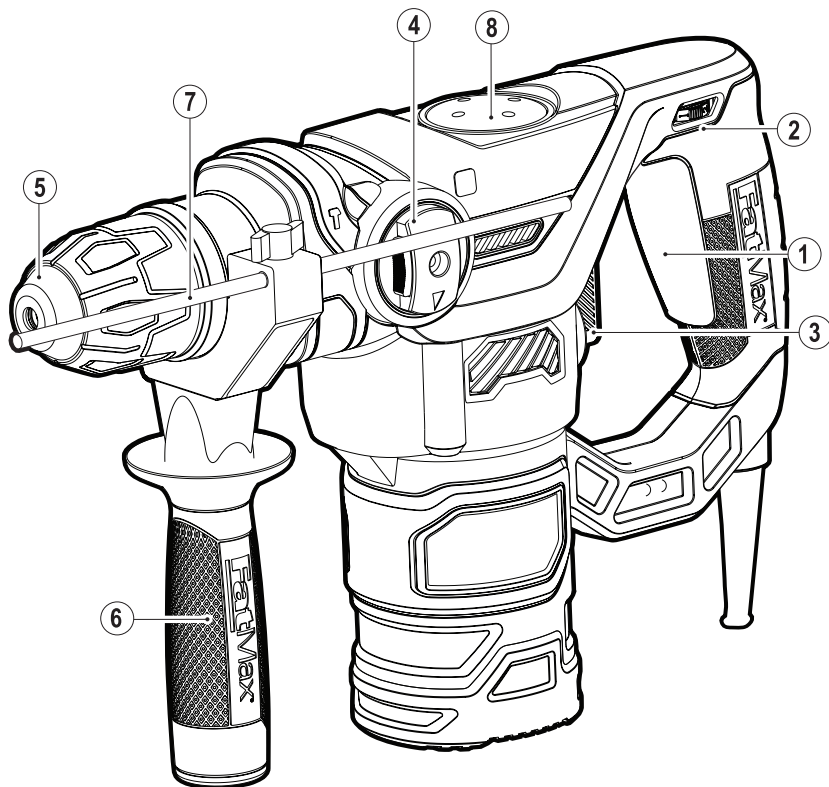
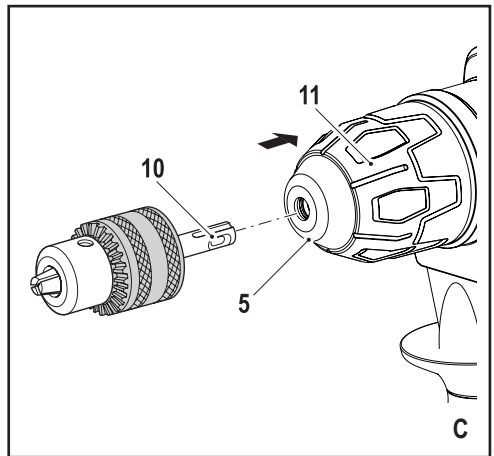
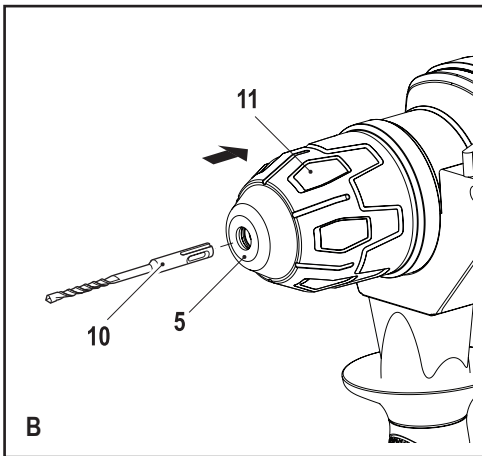
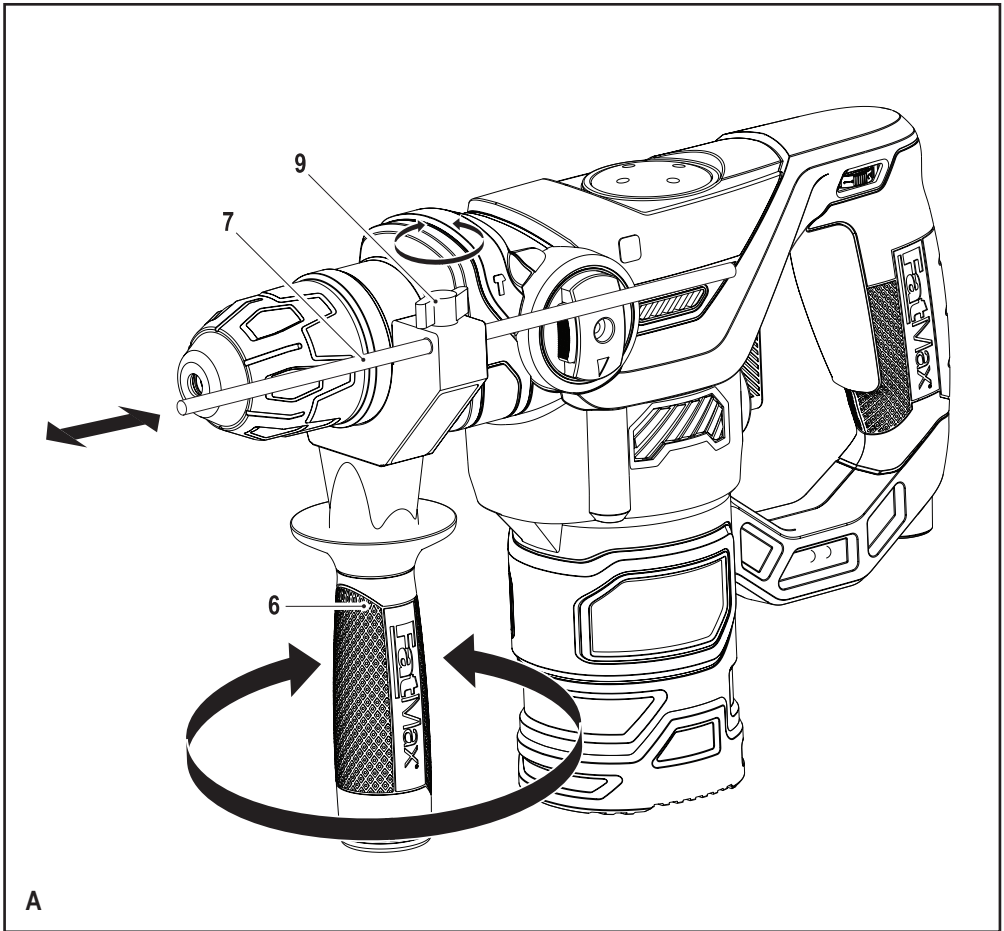
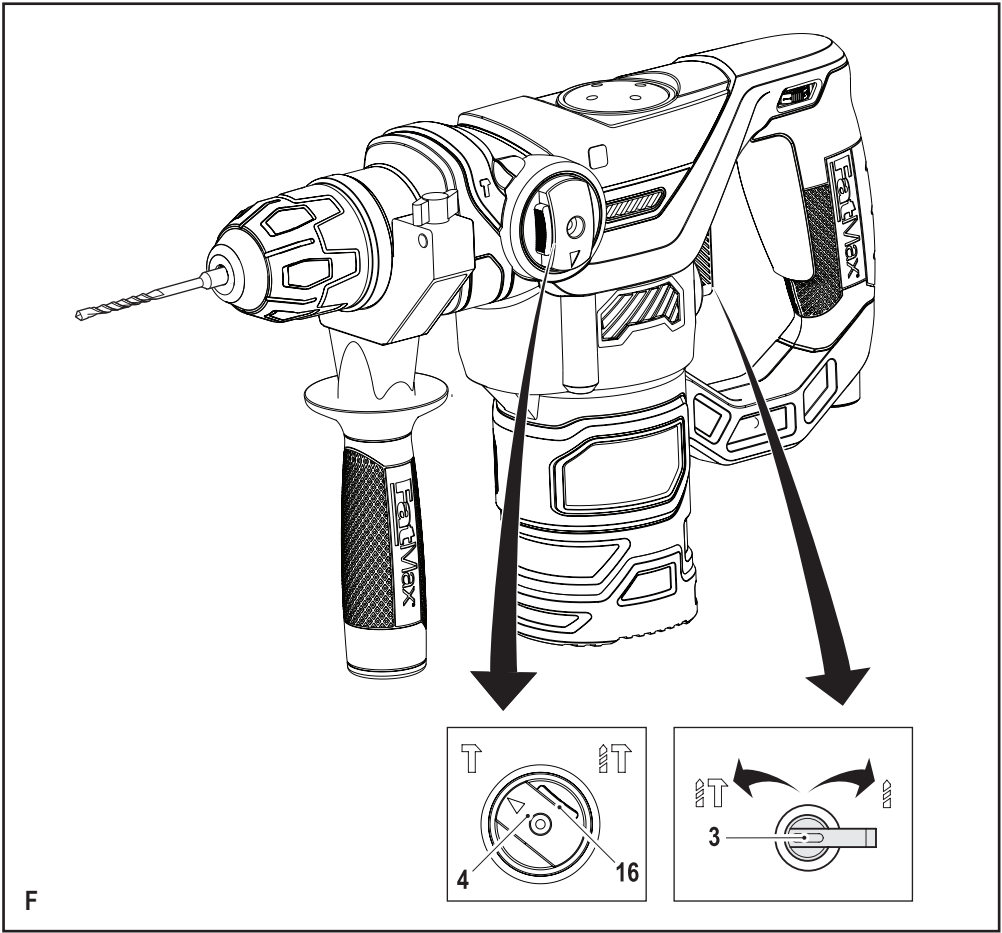
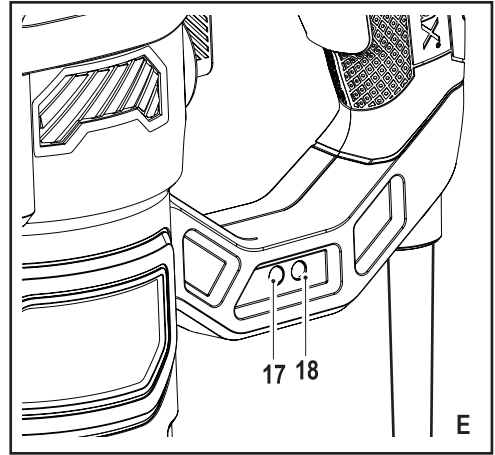
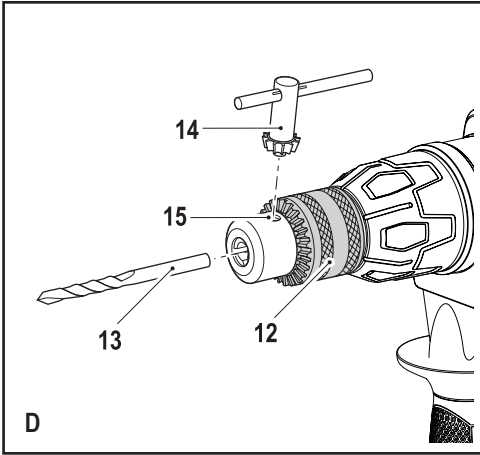


STANLEY®

FatMax®







Intended use

Your Stanley FatMax rotary hammer drill has been designed for drilling in wood, metal, plastics, and masonry as well as for screwdriving and light chiselling applications. This tool is intended for professional and private, non professional users.

Safety instructions

General power tool safety warnings



Warning! Read all safety warnings and all instructions. Failure to follow the warnings and instructions listed below may result in electric shock, fire and/or serious injury.

Save all warnings and instructions for future reference.

The term "power tool" in the warnings refers to your mains operated (corded) power tool or battery operated (cordless) power tool.

1. **Work area safety**
 - a. **Keep work area clean and well lit.** Cluttered or dark areas invite accidents.
 - b. **Do not operate power tools in explosive atmospheres, such as in the presence of flammable liquids, gases or dust.** Power tools create sparks which may ignite the dust or fumes.
 - c. **Keep children and bystanders away while operating a power tool.** Distractions can cause you to lose control.
2. **Electrical safety**
 - a. **Power tool plugs must match the outlet. Never modify the plug in any way. Do not use any adapter plugs with earthed (grounded) power tools.** Unmodified plugs and matching outlets will reduce risk of electric shock.
 - b. **Avoid body contact with earthed or grounded surfaces such as pipes, radiators, ranges and refrigerators.** There is an increased risk of electric shock if your body is earthed or grounded.
 - c. **Do not expose power tools to rain or wet conditions.** Water entering a power tool will increase the risk of electric shock.
 - d. **Do not abuse the cord. Never use the cord for carrying, pulling or unplugging the power tool. Keep cord away from heat, oil, sharp edges or moving parts.** Damaged or entangled cords increase the risk of electric shock.
 - e. **When operating a power tool outdoors, use an extension cord suitable for outdoor use.** Use of a cord suitable for outdoor use reduces the risk of electric shock.
 - f. **If operating a power tool in a damp location is unavoidable, use a residual current device (RCD) protected supply.** Use of an RCD reduces the risk of electric shock.
3. **Personal safety**
 - a. **Stay alert, watch what you are doing and use common sense when operating a power tool. Do not use a power tool while you are tired or under the influence of drugs, alcohol or medication.** A moment of inattention while operating power tools may result in serious personal injury.
 - b. **Use personal protective equipment. Always wear eye protection.** Protective equipment such as dust mask, non-skid safety shoes, hard hat, or hearing protection used for appropriate conditions will reduce personal injuries.
 - c. **Prevent unintentional starting. Ensure the switch is in the off-position before connecting to power source and/or battery pack, picking up or carrying the tool.** Carrying power tools with your finger on the switch or energising power tools that have the switch on invites accidents.
 - d. **Remove any adjusting key or wrench before turning the power tool on.** A wrench or a key left attached to a rotating part of the power tool may result in personal injury.
 - e. **Do not overreach. Keep proper footing and balance at all times.** This enables better control of the power tool in unexpected situations.
 - f. **Dress properly. Do not wear loose clothing or jewellery. Keep your hair, clothing and gloves away from moving parts.** Loose clothes, jewellery or long hair can be caught in moving parts.
 - g. **If devices are provided for the connection of dust extraction and collection facilities, ensure these are connected and properly used.** Use of dust collection can reduce dust-related hazards.
4. **Power tool use and care**
 - a. **Do not force the power tool. Use the correct power tool for your application.** The correct power tool will do the job better and safer at the rate for which it was designed.
 - b. **Do not use the power tool if the switch does not turn it on and off.** Any power tool that cannot be controlled with the switch is dangerous and must be repaired.
 - c. **Disconnect the plug from the power source and/or the battery pack from the power tool before making any adjustments, changing accessories, or storing power tools.** Such preventive safety measures reduce the risk of starting the power tool accidentally.

- d. **Store idle power tools out of the reach of children and do not allow persons unfamiliar with the power tool or these instructions to operate the power tool.** Power tools are dangerous in the hands of untrained users.
 - e. **Maintain power tools. Check for misalignment or binding of moving parts, breakage of parts and any other condition that may affect the power tools operation. If damaged, have the power tool repaired before use.** Many accidents are caused by poorly maintained power tools.
 - f. **Keep cutting tools sharp and clean.** Properly maintained cutting tools with sharp cutting edges are less likely to bind and are easier to control.
 - g. **Use the power tool, accessories and tool bits etc. in accordance with these instructions, taking into account the working conditions and the work to be performed.** Use of the power tool for operations different from those intended could result in a hazardous situation.
5. **Service**
- a. **Have your power tool serviced by a qualified repair person using only identical replacement parts.** This will ensure that the safety of the power tool is maintained.

Additional power tool safety warnings



Warning! Additional safety warnings for rotary and chiselling hammers

- ◆ **Wear ear protectors.** Exposure to noise can cause hearing loss.
- ◆ **Use auxiliary handles supplied with the tool.** Loss of control can cause personal injury.
- ◆ **Hold power tool by insulated gripping surfaces when performing an operation where the cutting accessory may contact hidden wiring or its own cord.** Cutting accessory contacting a "live" wire may make exposed metal parts of the power tool "live" and shock the operator.
- ◆ **Never use a chisel accessory in rotary mode.** The accessory will bind in the material and rotate the drill.
- ◆ **Use clamps or another practical way to secure and support the workpiece to a stable platform.** Holding the work by hand or against your body leaves it unstable and may lead to loss of control.
- ◆ Before drilling into walls, floors or ceilings, check for the location of wiring and pipes.
- ◆ Avoid touching the tip of a drill bit just after drilling, as it may be hot.

- ◆ This tool is not intended for use by persons (including children) with reduced physical, sensory or mental capabilities, or lack of experience and knowledge, unless they have been given supervision or instruction concerning use of the appliance by a person responsible for their safety. Children should be supervised to ensure that they do not play with the appliance.
- ◆ The intended use is described in this instruction manual. The use of any accessory or attachment or performance of any operation with this tool other than those recommended in this instruction manual may present a risk of personal injury and/or damage to property.
- ◆ Use a face or dust mask whenever the operations may produce dust or flying particles.

Safety of others

- ◆ This appliance is not intended for use by persons (including children) with reduced physical, sensory or mental capabilities, or lack of experience and knowledge, unless they have been given supervision or instruction concerning use of the appliance by a person responsible for their safety.
- ◆ Children should be supervised to ensure that they do not play with the appliance.

Residual risks.

Additional residual risks may arise when using the tool which may not be included in the enclosed safety warnings. These risks can arise from misuse, prolonged use etc.

Even with the application of the relevant safety regulations and the implementation of safety devices, certain residual risks can not be avoided. These include:

- ◆ Injuries caused by touching any rotating/moving parts.
- ◆ Injuries caused when changing any parts, blades or accessories.
- ◆ Injuries caused by prolonged use of a tool. When using any tool for prolonged periods ensure you take regular breaks.
- ◆ Impairment of hearing.
- ◆ Health hazards caused by breathing dust developed when using your tool (example:- working with wood, especially oak, beech and MDF.)

Vibration

The declared vibration emission values stated in the technical data and the declaration of conformity have been measured in accordance with a standard test method provided by EN 60745 and may be used for comparing one tool with another. The declared vibration emission value may also be used in a preliminary assessment of exposure.

Warning! The vibration emission value during actual use of the power tool can differ from the declared value depending on the ways in which the tool is used. The vibration level may increase above the level stated.

When assessing vibration exposure to determine safety measures required by 2002/44/EC to protect persons regularly using power tools in employment, an estimation of vibration exposure should consider, the actual conditions of use and the way the tool is used, including taking account of all parts of the operating cycle such as the times when the tool is switched off and when it is running idle in addition to the trigger time.

Labels on tool

The following pictograms are shown on the tool:



Warning! To reduce the risk of injury, the user must read the instruction manual.

Electrical safety



This tool is double insulated; therefore no earth wire is required. Always check that the power supply corresponds to the voltage on the rating plate.

- ◆ If the supply cord is damaged, it must be replaced by the manufacturer or an authorised Stanley Europe Service Centre in order to avoid a hazard.

Features

This tool includes some or all of the following features.

1. On/Off switch
2. Speed selector dial
3. Drilling mode selector
4. Operating mode selector
5. Tool holder
6. Side handle
7. Depth stop
8. Grease cap

Assembly

Warning! Before assembly, make sure that the tool is switched off and unplugged.

Fitting the side handle (fig. A)

- ◆ Turn the grip counterclockwise until you can slide the side handle (6) onto the front of the tool as shown.
- ◆ Rotate the side handle into the desired position.
- ◆ Tighten the side handle by turning the grip clockwise.

Fitting and setting the depth stop (fig. A)

- ◆ Slacken the knob (9).
- ◆ Insert the depth stop (7) into the mounting hole as shown.
- ◆ Set the depth stop (7) to the desired position. The maximum drilling depth is equal to the distance between the tip of the drill bit and the front end of the depth stop.
- ◆ Tighten the knob (9).

Fitting an accessory (fig. B - D)

- ◆ Clean and grease the shank (10) of the accessory.
- ◆ Pull back the sleeve (11) and insert the shank into the tool holder (5).
- ◆ Push the accessory down and turn it slightly until it fits into the slots.
- ◆ Pull on the accessory to check if it is properly locked. The hammering function requires the accessory to be able to move axially several centimetres when locked in the tool holder.
- ◆ To remove the accessory, pull back the sleeve (11) and pull out the accessory.

Keyed chuck (fig. D)

- ◆ Open the chuck by turning the sleeve (12) anti-clockwise.
- ◆ Insert the bit shaft (13) into the chuck.
- ◆ Insert the chuck key (14) into each hole (15) in the side of the chuck and turn clockwise until tight.

Use

Warning! Let the tool work at its own pace. Do not overload.

Warning! Before drilling into walls, floors or ceilings, check for the location of wiring and pipes.



Warning! Do not apply chisels when the tool is in the drilling mode.

Selecting the operating mode (fig. F)



The tool can be used in three operating modes.

- ◆ To operate the drilling mode selector (3), rotate it towards the required position, as indicated by the symbols.
- ◆ To operate the operating mode selector (4), push the unlock button (16) and rotate the selector towards the required position, as indicated by the symbols.

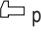

Drilling

- ◆ For drilling in steel, wood and plastics, and for screwdriving set the operating mode selector (4) to the  position and the drilling mode selector (3) to the  position.

Hammer drilling

- ◆ For hammer drilling in masonry and concrete, set the operating mode selector (4) to the  position and the drilling mode selector (3) to the  position. When hammering, the tool should not bounce and run smoothly. If necessary, increase the speed.

Hammering

- ◆ For hammering with spindle lock, and for light chiselling and chipping, set the operating mode selector (4) to the  position and the drilling mode selector (3) to the  position.
- ◆ When changing from hammer drilling to chiselling, turn the chisel to the desired position. If resistance is felt during mode change, slightly turn the chisel to engage the spindle lock.

Switching on and off

- ◆ Select the required speed by turning the speed selector dial (2).
- ◆ To switch the tool on, press the on/off switch (1).
- ◆ To switch the tool off, release the on/off switch.

Brush monitor (fig. E)

Your tool has a built in system that monitors the health of the brushes.

- ◆ Green brush monitor indicator (17). The brushes are in good condition.
- ◆ Red brush monitor indicator (18). The brushes are worn and need replacing, return your tool to an authorised Stanley Europe Service Centre in order to have the brushes replaced.

Accessories

The performance of your tool depends on the accessory used. Stanley FatMax accessories are engineered to high quality standards and designed to enhance the performance of your tool. By using these accessories you will get the very best from your tool.

Maintenance

Your Stanley FatMax corded/cordless appliance/tool has been designed to operate over a long period of time with a minimum of maintenance. Continuous satisfactory operation depends upon proper tool care and regular cleaning.

Warning! Before performing any maintenance on corded/cordless power tools:

- ◆ Switch off and unplug the appliance/tool.
- ◆ Regularly clean the ventilation slots in your appliance/tool/charger using a soft brush or dry cloth.
- ◆ Regularly clean the motor housing using a damp cloth. Do not use any abrasive or solvent-based cleaner.

- ◆ Regularly open the chuck and tap it to remove any dust from the interior (when fitted).

Mains plug replacement (U.K. & Ireland only)

If a new mains plug needs to be fitted:

- ◆ Safely dispose of the old plug.
- ◆ Connect the brown lead to the live terminal in the new plug.
- ◆ Connect the blue lead to the neutral terminal.

Warning! No connection is to be made to the earth terminal. Follow the fitting instructions supplied with good quality plugs. Recommended fuse: 5 A.

Protecting the environment



Separate collection. This product must not be disposed of with normal household waste.

Should you find one day that your Stanley FatMax product needs replacement, or if it is of no further use to you, do not dispose of it with household waste. Make this product available for separate collection.



Separate collection of used products and packaging allows materials to be recycled and used again. Re-use of recycled materials helps prevent environmental pollution and reduces the demand for raw materials.

Local regulations may provide for separate collection of electrical products from the household, at municipal waste sites or by the retailer when you purchase a new product.

Stanley Europe provides a facility for the collection and recycling of Stanley FatMax products once they have reached the end of their working life. To take advantage of this service please return your product to any authorised repair agent who will collect them on our behalf.

You can check the location of your nearest authorised repair agent by contacting your local Stanley Europe office at the address indicated in this manual. Alternatively, a list of authorised Stanley Europe repair agents and full details of our after-sales service and contacts are available on the Internet at: www.2helpU.com

Technical data

		FME1250 (Type 1)
Input voltage	V_{AC}	230
Power input	W	1250
No-load speed	min^{-1}	0-850
Impact rate	min^{-1}	0-4100
Impact energy per stroke according to EPTA-Procedure 05/2009	J	3.2
Weight	kg	5.4
Max. drilling capacity		
Concrete	mm	32
Steel	mm	13
Wood	mm	40

Level of sound pressure according to EN 60745:

Sound pressure (L_{pA}) 93 dB(A), uncertainty (K) 3 dB(A)Sound power (L_{WA}) 104 dB(A), uncertainty (K) 3 dB(A)

Vibration total values (triax vector sum) according to EN 60745:

Hammer drilling into concrete ($a_{h,HD}$) 14.2 m/s^2 , uncertainty (K) 1.5 m/s^2 Chiselling ($a_{h,Cheq}$) 13.6 m/s^2 , uncertainty (K) 1.5 m/s^2 EC declaration of conformity
MACHINERY DIRECTIVE

FME1250

Stanley Europe declares that these products described under "technical data" are in compliance with:
2006/42/EC, EN 60745-1, EN 60745-2-6

These products also comply with Directive
2004/108/EC and 2011/65/EU.

For more information, please contact Stanley Europe at the following address or refer to the back of the manual.

The undersigned is responsible for compilation of the technical file and makes this declaration on behalf of Stanley Europe.

Kevin Hewitt

Vice-President Global Engineering
Stanley Europe, Egide Walschaertsstraat14-18,
2800 Mechelen, Belgium
12/05/2020

Guarantee

StanleyEurope is confident of the quality of its products and offers an outstanding guarantee for professional users of the product. This guarantee statement is in addition to and in no way prejudices your contractual rights as a private non-professional user. The guarantee is valid within the territories of the Member States of the European Union and the European Free Trade Area.

ONE-YEAR FULL WARRANTY

If your Stanley FatMax product becomes defective due to faulty materials or workmanship within 12 months from the date of purchase, Stanley Europe guarantees to replace all defective parts free of charge or – at our discretion – replace the unit free of charge provided that:

- ◆ The product has not been misused and has been used in accordance with the instruction manual.
- ◆ The product has been subject to fair wear and tear;
- ◆ Repairs have not been attempted by unauthorised persons;
- ◆ Proof of purchase is produced.
- ◆ The Stanley FatMax product is returned complete with all original components

If you wish to make a claim, contact your seller or check the location of your nearest authorised Stanley FatMax repair agent in the Stanley FatMax catalogue or contact your local Stanley office at the address indicated in this manual. A list of authorised Stanley FatMax repair agents and full details of our after sales service is available on the internet at:www.stanley.eu/3

Назначение

Ваш перфоратор Stanley FatMax предназначен для сверления отверстий в древесине, металле, пластике и мягком кирпиче, а также для заворачивания саморезов и легких работ по долблению. Данный инструмент предназначен для профессионального использования, а также для бытового использования частными пользователями.

Правила техники безопасности

Общие правила безопасности при работе с электроинструментом



Внимание! Полностью прочтите инструкции по технике безопасности и все руководства по эксплуатации. Несоблюдение представленных ниже предупреждений и инструкций может привести к поражению электрическим током, возгоранию и/или тяжелым травмам.

Сохраните все инструкции для последующего обращения к ним. Термин «электроинструмент» в предупреждениях относится к питаемому от электросети (проводному) или от аккумуляторных батарей (беспроводному) электроинструменту.

1. Безопасность на рабочем месте

- a. **Содержите рабочее место в чистоте и обеспечьте его хорошую освещенность.** Плохое освещение или беспорядок на рабочем месте может привести к несчастному случаю.
- b. **Не используйте электроинструмент во взрывоопасной атмосфере, например, при наличии горючих жидкостей, газов или пыли.** Искры, которые появляются при работе электроинструмента, могут привести к воспламенению пыли или паров.
- c. **Не разрешайте детям и посторонним лицам находиться рядом с вами при работе с электроинструментом.** Отвлекаясь от работы, вы можете потерять контроль над инструментом.

2. Электробезопасность

- a. **Сетевые вилки электроинструмента должны соответствовать розеткам. Никогда не меняйте вилку инструмента. Запрещается использовать переходники к вилкам для электроинструментов с заземлением.** Использование оригинальных штепсельных вилок, соответствующих типу сетевой розетки, снижает риск поражения электрическим током.

- b. **Следует избегать контакта с заземленными поверхностями, такими как трубы, радиаторы, батареи и холодильники.** Если вы будете заземлены, увеличивается риск поражения электрическим током.
 - c. **Не допускайте нахождения электроинструментов под дождем или в условиях повышенной влажности.** При попадании воды в электроинструмент риск поражения электротоком возрастает.
 - d. **Бережно обращайтесь с кабелем питания. Никогда не используйте кабель для переноски электроинструмента, не тяните за него, пытайтесь отключить инструмент от сети. Держите кабель подальше от источников тепла, масла, острых углов или движущихся предметов.** Поврежденный или запутанный кабель питания повышает риск поражения электротоком.
 - e. **При работе с электроинструментом вне помещения необходимо пользоваться удлинителем, рассчитанным на эксплуатацию в соответствующих условиях.** Использование кабеля питания, предназначенного для использования вне помещения, снижает риск поражения электрическим током.
 - f. **При необходимости эксплуатации электроинструмента в местах с повышенной влажностью используйте устройство защитного отключения (УЗО).** Использование УЗО сокращает риск поражения электрическим током.
3. **Обеспечение индивидуальной безопасности**
 - a. **При работе с электроинструментом сохраняйте бдительность, следите за своими действиями и пользуйтесь здравым смыслом. Не работайте с электроинструментом, если вы устали, находитесь в состоянии наркотического, алкогольного опьянения или под воздействием лекарственных препаратов.** Невнимательность при работе с электроинструментом может привести к серьезным телесным повреждениям.
 - b. **Используйте средства индивидуальной защиты. Всегда используйте защитные очки.** Средства защиты, такие как пылезащитная маска, обувь на нескользящей подошве, каска и защитные наушники, используемые при работе, уменьшают риск получения травм.
 - c. **Примите меры для предотвращения случайного включения. Перед тем как подключить электроинструмент к сети и/или аккумуляторной батарее, взять инструмент или перенести его на другое место, убедитесь в том, что выключатель находится в положении «Выкл.».** Если при переноске электроинструмента он подключен к сети, и

при этом ваш палец находится на выключателе, это может стать причиной несчастных случаев.

- d. **Уберите все регулировочные или гаечные ключи перед включением электроинструмента.** Ключ, оставленный на вращающейся части электроинструмента, может привести к травме.
- e. **Не пытайтесь дотянуться до слишком удаленных поверхностей. Всегда твердо стойте на ногах, сохраняя равновесие.** Это позволит лучше контролировать электроинструмент в непредвиденных ситуациях.
- f. **Надевайте подходящую одежду. Избегайте носить свободную одежду и ювелирные украшения.** Следите за тем, чтобы волосы, одежда и перчатки не попадали под движущиеся детали. Возможно наматывание свободной одежды, ювелирных изделий и длинных волос на движущиеся детали.
- g. **При наличии устройств для подключения оборудования для удаления и сбора пыли необходимо обеспечить правильность их подключения и эксплуатации.** Использование устройства для пылеудаления сокращает риски, связанные с пылью.

4. Эксплуатация электроинструмента и уход за ним

- a. **Избегайте чрезмерной нагрузки электроинструмента. Используйте электроинструмент в соответствии с назначением.** Правильно подобранный электроинструмент выполнит работу более эффективно и безопасно при стандартной нагрузке.
- b. **Не используйте электроинструмент, если не работает его выключатель.** Любой электроинструмент, управляет выключением и включением которого невозможно, опасен, и его необходимо отремонтировать.
- c. **Перед выполнением любой регулировки, заменой дополнительных принадлежностей или хранением электроинструмента отключите инструмент от сети или извлеките батарею из инструмента.** Такие превентивные меры безопасности сокращают риск случайного включения электроинструмента.
- d. **Храните электроинструмент в недоступном для детей месте и не позволяйте работать с инструментом людям, не имеющим соответствующих навыков работы с такого рода инструментами.** Электроинструмент представляет опасность в руках неопытных пользователей.
- e. **Проводите обслуживание электроинструментов.** Проверьте движущиеся детали на точность совмещения или заклинивание, поломку либо какие-либо другие условия, которые могут повлиять на эксплуатацию электроинструмента. В

случае обнаружения повреждений, прежде чем приступить к эксплуатации электроинструмента, его нужно отремонтировать. Большинство несчастных случаев происходит из-за электроинструментов, которые не обслуживаются должным образом.

- f. **Необходимо содержать режущий инструмент в остро заточенном и чистом состоянии.** Вероятность заклинивания инструмента, за которым следят должным образом и который хорошо заточен, значительно меньше, а работать с ним легче.
 - g. **Используйте данный электроинструмент, а также дополнительные принадлежности и насадки в соответствии с данными инструкциями и с учетом условий и специфики работы.** Использование электроинструмента для выполнения операций, для которых он не предназначен, может привести к созданию опасных ситуаций.
- #### 5. Сервисное обслуживание
- a. **Обслуживание электроинструмента должно выполняться только квалифицированным техническим персоналом.** Это позволит обеспечить безопасность обслуживаемого электроинструмента.

Дополнительные правила техники безопасности при работе с электроинструментом



Внимание! Дополнительные меры предосторожности при использовании перфораторов и отбойных молотков

- ◆ **Используйте защитные наушники.** Шум может стать причиной снижения слуха.
- ◆ **Пользуйтесь дополнительными рукоятками, входящими в комплект поставки инструмента.** Потеря контроля может привести к травме.
- ◆ **При выполнении работ, когда есть вероятность того, что режущий инструмент может коснуться скрытой проводки или собственного сетевого кабеля, держите силовой инструмент за изолированные поверхности.** Режущая насадка в случае задевания за провод под напряжением может передать напряжение на внешние металлические элементы электроинструмента, что приведет к поражению оператора электротоком.
- ◆ **Ни в коем случае не используйте режим вращения с установленным долотом.** В противном случае насадка застрянет в материале и начнет проворачивать саму дрель.
- ◆ **Используйте зажимы или другие уместные средства фиксации заготовки на стабильной опоре.** Если держать заготовку руками или с упором в

собственное тело, то можно потерять контроль над инструментом или заготовкой.

- ◆ Перед тем как сверлить отверстия в стенах, полах или потолках, проверьте места расположения проводки и трубопроводов.
- ◆ Избегайте касания к кончику сверла сразу после работы, он может сильно нагреваться.
- ◆ Данный инструмент не предназначен для использования лицами (включая детей) с ограниченными физическими, сенсорными или ментальными возможностями, а также лицами без достаточного опыта и знаний, если только они не делают этого под руководством лица, имеющего соответствующий опыт и отвечающего за их безопасность. Не позволяйте детям играть с данным инструментом.
- ◆ Далее в руководстве приводятся виды работ, для которых предназначен данный инструмент. Применение любых принадлежностей и приспособлений, а также выполнение любых операций помимо тех, которые рекомендованы данным руководством, может привести к травме.
- ◆ При выполнении работ, при которых разлетается пыль или мелкие частицы материала, используйте защитную маску или пылезащитную маску.

Безопасность окружающих

- ◆ Данный инструмент не предназначен для использования лицами (включая детей) с ограниченными физическими, сенсорными или ментальными возможностями, а также лицами без достаточного опыта и знаний, если только они не делают этого под руководством лица, имеющего соответствующий опыт и отвечающего за их безопасность.
- ◆ Не позволяйте детям играть с данным инструментом.

Остаточные риски.

При работе с данным инструментом возможно возникновение дополнительных остаточных рисков, которые не вошли в описанные здесь правила техники безопасности. Эти риски могут возникнуть при неправильном или продолжительном использовании изделия и т. п. Несмотря на соблюдение соответствующих инструкций по технике безопасности и использование предохранительных устройств, некоторые остаточные риски невозможно полностью исключить. К ним относятся:

- ◆ Травмы в результате касания вращающихся/движущихся частей.
- ◆ Травмы, которые могут произойти в результате смены деталей, лезвий или дополнительных принадлежностей.
- ◆ Травмы, связанные с продолжительным использованием инструмента. При использовании любого инструмента в течение продолжительного периода

времени не забывайте делать перерывы.

- ◆ Ухудшение слуха.
- ◆ Ущерб здоровью в результате вдыхания пыли в процессе работы с инструментом (например, при обработке древесины, в особенности, дуба, бука и МДФ.)

Вибрация

Заявленные значения вибрации указанные в технических спецификациях и заявлении о соответствии были измерены в соответствии с стандартным методом тестирования EN 60745 и могут быть использованы для сравнения инструментов. Заявленное значение эмиссии вибрации также может использоваться при предварительной оценке ее воздействия.

Внимание! Значения вибрационного воздействия при работе с электроинструментом зависят от вида работ, выполняемых данным инструментом, и могут отличаться от заявленных значений. Уровень вибрации может быть выше заявленного.

При оценке уровня вибрации для определения меры безопасности, предусмотренного 2002/44/ЕС для защиты людей, регулярно пользующихся электроинструментом при работе, нужно принимать во внимание уровень вибрации, реальные условия использования и способ использования инструмента, а также учитывать все этапы цикла работы – когда инструмент выключается, когда он работает на холостом ходу, а также время переключения с одного режима на другой.

Условные обозначения на инструменте

На инструмент нанесены следующие обозначения:



Внимание! Во избежание риска получения травм, прочтите руководство по эксплуатации.

Электробезопасность



Данный инструмент имеет двойную изоляцию, поэтому заземление не требуется. Следите за напряжением электрической сети, оно должно соответствовать величине, обозначенной на информационной табличке инструмента.

- ◆ Во избежание несчастного случая, замена поврежденного кабеля питания должна производиться только на заводе-изготовителе или в авторизованном сервисном центре Stanley Europe.

Составные части

Данный инструмент может содержать все или некоторые из перечисленных ниже составных частей.

1. Пусковой выключатель
2. Переключатель скоростей
3. Переключатель режимов сверления
4. Переключатель режимов работы
5. Держатель насадки
6. Боковая рукоятка
7. Ограничитель глубины сверления
8. Крышка отсека для смазки

Сборка

Внимание! Перед сборкой убедитесь в том, что инструмент выключен и отключен от сети.

Установка боковой рукоятки (Рис. А)

- ◆ Поворачивайте рукоятку против часовой стрелки, пока вы не сможете сдвинуть боковую рукоятку (6) на переднюю часть инструмента, как показано на рисунке.
- ◆ Поверните боковую рукоятку в нужное положение.
- ◆ Затяните боковую рукоятку, повернув ручку по часовой стрелке.

Установка ограничителя глубины сверления (Рис. А)

- ◆ Ослабьте рукоятку (9).
- ◆ Вставьте ограничитель глубины (7) в монтажное отверстие, как показано на рисунке.
- ◆ Установите регулятор глубины (7) в нужное положение. Максимальная глубина сверления равна расстоянию между кончиком насадки и передним концом ограничителя глубины.
- ◆ Затяните зажимную рукоятку (9).

Установка насадок (Рис. В–D)

- ◆ Очистите и смажьте хвостовик (10) насадки.
- ◆ Оттяните назад зажимное кольцо (11) и вставьте хвостовик насадки в держатель (5).
- ◆ Надавите на насадку и слегка поверните ее, чтобы хвостовик вошел в шлицы.
- ◆ Потяните за насадку, чтобы убедиться, что она надежно закреплена. При использовании ударной функции, насадка в закреплённом состоянии должна свободно перемещаться по оси на несколько сантиметров.
- ◆ Для извлечения насадки оттяните назад зажимное кольцо (11) и вытяните насадку из держателя.

Ключевой зажимной патрон (Рис. D)

- ◆ Раскройте патрон, повернув муфту (12) против часовой стрелки.
- ◆ Вставьте хвостовик насадки (13) в зажимной патрон.
- ◆ Установите патронный ключ (14) в каждое отверстие (15) сбоку патрона и поверните по часовой стрелке до закрепления.

Использование

Внимание! Инструмент должен работать в обычном режиме. Избегайте перегрузок.

Внимание! Перед тем как сверлить отверстия в стенах, полах или потолках, проверьте места расположения проводки и трубопроводов.



Внимание! Не вставляйте долота, когда инструмент находится в режиме сверления.

Выбор режима работы (Рис. F)


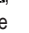
Данный инструмент имеет три режима работы.

- ◆ Для выбора режима сверления (3) и поверните переключатель в нужное положение, как показано символами.
- ◆ Для выбора режима работы (4) нажмите кнопку разблокировки (16) и поверните переключатель в нужное положение, как показано символами.

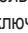

Сверление

- ◆ Для сверления стали, древесины и пластмассы, а также для завинчивания и отвинчивания шурупов и винтов, установите переключатель режимов работы (4) в положение , а переключатель режимов сверления (3) в положение .

Сверление с ударом

- ◆ Для сверления с ударом в бетоне и камне установите переключатель режимов работы (4) в положение , а переключатель режимов сверления (3) в положение . При работе инструмент должен плавно работать и не отскакивать. По надобности, увеличьте скорость.

Долбление

- ◆ Для ударного сверления с заблокированным шпинделем, а также легкого дробления и скалывания, установите переключатель режимов работы (4) в положение , а переключатель режимов сверления (3) в положение .
- ◆ При переходе от ударного сверления по бетону к легкому дроблению, поверните долото в нужное положение. Если во время смены режима возникает сопротивление, слегка поверните долото для блокировки шпинделя.

Включение и выключение

- ◆ Для выбора необходимой скорости поворачивайте переключатель скоростей (2).
- ◆ Чтобы включить инструмент, нажмите на пусковой выключатель (1).

- ◆ Чтобы выключить инструмент, отпустите выключатель.

Индикатор состояния щеток (Рис. Е)

Инструмент оснащен системой отслеживания состояния щеток.

- ◆ Зеленый индикатор состояния щеток (17). Щетки находятся в хорошем состоянии.
- ◆ Красный индикатор состояния щеток (18). Щетки изношены и нуждаются в замене. Отнесите инструмент в специализированный сервисный центр Stanley Europe Service Centre для замены щеток.

Дополнительные принадлежности

Производительность вашего инструмента напрямую зависит от используемых принадлежностей. Принадлежности Stanley FatMax изготовлены в соответствии с самыми высокими стандартами качества и способны увеличить производительность вашего инструмента. Используя эти принадлежности, вы достигнете наилучших результатов в работе.

Техническое обслуживание

Проводной/беспроводной инструмент/устройство Stanley FatMax имеет длительный срок эксплуатации и требует минимальных затрат на техобслуживание. Срок службы и надежность инструмента увеличивается при правильном уходе и регулярной чистке.

Внимание! Перед выполнением любых работ по обслуживанию проводных/беспроводных инструментов:

- ◆ Выключите и отключите от питания устройство/инструмент.
- ◆ Регулярно очищайте вентиляционные отверстия устройства/инструмента/зарядного устройства с помощью мягкой щетки или сухой тканевой салфетки.
- ◆ Регулярно очищайте корпус двигателя с помощью влажной салфетки. Не используйте никакие абразивные чистящие средства или средства на основе растворителей.
- ◆ Регулярно открывайте патрон и очищайте его от грязи внутри постукиванием (после установки).

Замена штепсельной вилки (только для Великобритании и Ирландии)

В случае необходимости установки новой штепсельной вилки:

- ◆ Осторожно снимите старую вилку.
- ◆ Подсоедините коричневый провод к терминалу фазы в новой вилке.
- ◆ Подсоедините синий провод к нулевому терминалу.

Внимание! Заземления не требуется. Соблюдайте инструкции по установке вилок высокого качества. Реко-

мендованный предохранитель: 5 А.

Защита окружающей среды



Отдельная утилизация. Это изделие нельзя утилизировать с обычными бытовыми отходами.

Если продукт Stanley FatMax потребует замены или станет не нужен, не утилизируйте его вместе с бытовыми отходами. Утилизацию этого продукта нужно производить в пунктах раздельного сбора мусора.



Система раздельного сбора отработавших изделий и упаковочных материалов позволяет перерабатывать их и использовать повторно. Повторное использование переработанных материалов помогает защитить окружающую среду от загрязнения и сокращает потребность в сырье.

Местные нормативы могут предусматривать утилизацию электрических продуктов отдельно от бытовых отходов на муниципальных свалках или их возврат продавцу при покупке нового продукта.

Stanley Europe осуществляет прием и переработку изделий Stanley FatMax по окончании срока их службы. Чтобы воспользоваться этой услугой, верните изделие любому уполномоченному специалисту по ремонту, который осуществляет их сбор от нашего лица.

Адрес ближайшего уполномоченного специалиста по ремонту можно получить, обратившись в местное представительство компании Stanley Europe по адресу, указанному в настоящем руководстве. Кроме того, список авторизованных агентов по ремонту Stanley Europe и подробную информацию о послепродажном обслуживании и контактах можно найти на веб-сайте: www.2helpU.com

Технические характеристики

		FME1250 (Тип 1)
Входное напряжение	В _{перем. тока}	230
Потребляемая мощность	Вт	1250
Скорость без нагрузки	мин ⁻¹	0-850
Скорость удара	мин ⁻¹	0-4100
Энергия удара за ход согласно процедуре EPTA 05/2009	Дж	3,2
Вес	кг	5,4
Макс. скорость сверления		
Бетон	мм	32
Сталь	мм	13
Древесина	мм	40

Уровень звукового давления в соответствии с EN 60745:	
Звуковое давление (L_{pA})	93 дБ(A), погрешность (K) 3 дБ(A)
Акустическая мощность (L_{WA})	104 дБ(A), погрешность (K) 3 дБ(A)

Сумма величин вибрации (сумма векторов по трем осям), измеренных в соответствии со стандартом EN 60745:	
Ударное сверление в бетоне ($a_{h,HD}$)	14,2 м/с ² , погрешность (K) 1,5 м/с ²
Дробление ($a_{h,Chev}$)	13,6 м/с ² , погрешность (K) 1,5 м/с ²

**Заявление о соответствии нормам ЕС
ДИРЕКТИВА ПО МЕХАНИЧЕСКОМУ ОБОРУДОВАНИЮ**

FME1250

Stanley Europe заявляет, что продукция, описанная в «технических характеристиках» соответствует: 2006/42/EC, EN 60745-1, EN 60745-2-6

Эти продукты также соответствуют Директивам 2004/108/EC и 2011/65/EU.

За дополнительной информацией обращайтесь в компанию Stanley Europe по адресу, указанному ниже или приведенному на задней стороне обложки руководства.

Нижеподписавшийся несет ответственность за составление технической документации и составил данную декларацию по поручению компании Stanley Europe.

Кевин Хьюитт

Вице-президент по глобальным конструкторским и технологическим вопросам
Stanley Europe, Egide Walschaertsstraat 14-18,
2800 Mechelen, Бельгия
12/05/2020

Гарантия

Компания StanleyEurope отвечает за качество своей продукции и предлагает исключительную гарантию для профессиональных пользователей изделия. Это заявление о гарантии дополнительное и ни в коей мере не причиняет вред Вашим договорным и юридическим правам. Гарантия действует на территории стран-участниц Европейского союза и в Европейской зоне свободной торговли.

ПОЛНАЯ ГОДОВАЯ ГАРАНТИЯ

Если продукт Stanley FatMax оказался дефектным в результате использования недоброкачественных материалов или качества выполнения работ в течение 12 месяцев с даты покупки, Stanley Europe гарантирует замену всех неисправных деталей бесплатно или - по нашему усмотрению – замену инструмента бесплатно, при условии что:

- ◆ Продукт не использовали не по назначению и с нарушением инструкций руководство по эксплуатации.
- ◆ Продукт имеет следы нормального износа;
- ◆ Не предпринимались попытки ремонта неуполномоченными лицами;
- ◆ Предоставлено свидетельство покупки.
- ◆ Изделие Stanley FatMax возвращено в полной комплектации со всеми исходными компонентами

Для подачи требования обратитесь к продавцу, уточните местонахождения ближайшего уполномоченного специалиста по ремонту Stanley FatMax в каталоге Stanley FatMax или обратитесь в местный офис Stanley по адресу, указанному в данном руководстве. Список уполномоченных специалистов по ремонту Stanley FatMax и подробную информацию о послепродажном обслуживании можно найти в интернете по адресу: www.stanley.eu/3



Приложение к руководству по эксплуатации электрооборудования для определения месяца производства по номеру текущей календарной недели года

Электрооборудование торговых марок "Dewalt", "Stanley", "Stanley FatMAX", "BLACK+DECKER".

Директивы 2014/30/EU ЕВРОПЕЙСКОГО ПАРЛАМЕНТА И СОВЕТА от 26 февраля 2014 г. "О гармонизации законодательств Государств-членов ЕС в области электромагнитной совместимости", 2006/42/ЕС ЕВРОПЕЙСКОГО ПАРЛАМЕНТА И СОВЕТА от 17 мая 2006 г. "О машинах и оборудовании"; 2014/35/EU ЕВРОПЕЙСКОГО ПАРЛАМЕНТА И СОВЕТА от 26 февраля 2014 г. "О гармонизации законодательств государств-членов в области размещения на рынке электрооборудования, предназначенного для использования в определенных пределах напряжения". Серийный выпуск.

ТОВАР СЕРТИФИЦИРОВАН

Орган по сертификации "РОСТЕСТ- Москва", Адрес: 119049, г. Москва, улица Житная, д. 14, стр. 1; 117418, Москва, Нахимовский просп., 31 (фактический), Телефон: (499) 1292311, (495) 6682893, Факс: (495) 6682893, E-mail: office@rostest.ru

Изготовитель: Изготовитель: Блэк энд Деккер Холдингс ГмбХ, Германия, 65510, Идштайн, ул. Блэк энд Деккер, 40, тел. +496126212790.

Уполномоченное изготовителем юр.лицо:

ООО "Стэнли Блэк энд Деккер", 117485, город Москва, улица Обручева, дом 30/1, строение 2
Телефон: + 7 (495) 258-3981, факс: + 7 (495) 258-3984, E-mail: inbosh@dewalt.com
Сведения о импортере указаны в сопроводительной документации и/или на упаковке

Хранение.

Необходимо хранить в сухом месте, вдали от источников повышенных температур и воздействия солнечных лучей. При хранении необходимо избегать резкого перепада температур. Хранение без упаковки не допускается

Срок службы.

Срок службы изделия составляет 5 лет. Не рекомендуется к эксплуатации по истечении 5 лет хранения с даты изготовления без предварительной проверки.

Дата изготовления (код даты) указана на корпусе инструмента.

Код даты, который также включает год изготовления, оштампован на поверхности корпуса изделия.

Пример:

2014 46 XX, где 2014 –год изготовления, 46-неделя изготовления.

Определить месяц изготовления по указанной неделе изготовления можно согласно приведенной ниже таблице.

Транспортировка.

Категорически не допускается падение и любые механические воздействия на упаковку при транспортировке. При разгрузке/погрузке не допускается использование любого вида техники, работающей по принципу зажима упаковки.

Перечень критических отказов, возможные ошибочные действия персонала.

Не допускается эксплуатация изделия:

- При появлении дыма из корпуса изделия
- При повреждении и/или оголенном сетевом кабеле
- при повреждении корпуса изделия, защитного кожуха, рукоятки
- при попадании жидкости в корпус
- при возникновении сильной вибрации
- при возникновении сильного искрения внутри корпуса

Критерии предельных состояний.

- При поврежденном и/или оголенном сетевом кабеле
- при повреждении корпуса изделия

Месяц	Январь	Февраль	Март	Апрель	Май	Июнь	Июль	Август	Сентябрь	Октябрь	Ноябрь	Декабрь	Год производства
Неделя	1	5	9	14	18	23	27	31	36	40	44	49	2018
	2	6	10	15	19	24	28	32	37	41	45	50	
	3	7	11	16	20	25	29	33	38	42	46	51	
	4	8	12	17	21	26	30	34	39	43	47	52	
Неделя			13		22			35			48		2019
	1	6	10	14	18	23	27	31	36	40	45	49	
	2	7	11	15	19	24	28	32	37	41	46	50	
	3	8	12	16	20	25	29	33	38	42	47	51	
	4	9	13	17	21	26	30	34	39	43	48	52	
Неделя					22			35		44			2020
	1	6	10	14	19	23	27	32	36	40	45	49	
	2	7	11	15	20	24	28	33	37	41	46	50	
	3	8	12	16	21	25	29	34	38	42	47	51	
	4	9	13	17	22	26	30	35	39	43	48	52	
Неделя				18			31		44				2021
	2	6	10	14	19	23	27	32	36	41	45	49	
	3	7	11	15	20	24	28	33	37	42	46	50	
	4	8	12	16	21	25	29	34	38	43	47	51	
	5	9	13	17	22	26	30	35	39	44	48	52	
Неделя					18				40			1	2022
	2	6	10	15	19	23	28	32	36	41	45	49	
	3	7	11	16	20	24	29	33	37	42	46	50	
	4	8	12	17	21	25	30	34	38	43	47	51	
	5	9	13	18	22	26	31	35	39	44	48	52	
			14			27			40			1	

STANLEY
FATMAX

ГАРАНТИЙНЫЙ ТАЛОН

3 ГОДА
ГАРАНТИИ

1. Поздравляем Вас с покупкой высококачественного изделия STANLEY FATMAX и выражаем признательность за Ваш выбор.
2. При покупке изделия требуйте проверки его комплектности и исправности в Вашем присутствии, инструкцию по эксплуатации и заполненный Гарантийный талон на русском языке. В гарантийном талоне должны быть внесены: модель, дата продажи, серийный номер, дата производства инструмента; название, печать и подпись торговой организации. При отсутствии у Вас правильно заполненного Гарантийного талона, а также несоответствия указанных в нем данных, мы будем вынуждены отклонить Ваши претензии по качеству данного изделия.
3. Во избежание недоразумений, убедительно просим Вас перед началом работы с изделием внимательно ознакомиться с инструкцией по его эксплуатации. Правовой основой настоящих гарантийных условий является действующее Законодательство. Гарантийный срок на данное изделие составляет 36 месяцев и исчисляется со дня продажи. В случае устранения недостатков изделия, гарантийный срок продлевается на период его нахождения в ремонте. Срок службы изделия составляет 5 лет со дня продажи.
4. В случае возникновения каких-либо проблем в процессе эксплуатации изделия рекомендуем Вам обращаться только в уполномоченные сервисные центры STANLEY FATMAX, адреса и телефоны которых Вы сможете найти на сайте www.2helpU.com или узнать в магазине. Наши сервисные станции - это не только квалифицированный ремонт, но и широкий ассортимент запчастей и принадлежностей.
5. Производитель рекомендует проводить периодическую проверку и техническое обслуживание изделия в уполномоченных сервисных центрах.
6. Наши гарантийные обязательства распространяются только на неисправности, выявленные в течение гарантийного срока и вызванные дефектами производства и / или материалов.
7. Гарантийные условия не распространяются на неисправности изделия, возникшие в результате:
 - 7.1. Несоблюдения пользователем предписаний инструкции по эксплуатации изделия, применения изделия не по назначению, неправильного хранения, использования принадлежностей, расходных материалов и запчастей, не предусмотренных производителем.
 - 7.2. Механического повреждения (сколы, трещины и разрушения) внутренних и внешних деталей изделия, основных и вспомогательных рукояток, сетевого электрического кабеля, вызванного внешним ударным или любым иным воздействием.
 - 7.3. Попадания в вентиляционные отверстия и проникновение внутрь изделия посторонних предметов, материалов или веществ, не являющихся отходами, сопровождающими применение изделия по назначению, такими как: стружка, опилки, песок, и пр.
 - 7.4. Воздействий на изделие неблагоприятных атмосферных и иных внешних факторов, таких как дождь, снег, повышенная влажность, нагрев, агрессивные среды, несоответствие параметров питающей электросети, указанных на инструменте.
 - 7.5. Стихийного бедствия. Повреждение или утрата изделия, связанное с непредвиденными бедствиями, стихийными явлениями, в том числе вследствие действия непреодолимой силы (пожар, молния, потоп и другие природные явления), а также вследствие перепадов напряжения в электросети и других причин, которые находятся вне контроля производителя.
8. Гарантийные условия не распространяются:
 - 8.1. На инструменты, подвергавшиеся вскрытию, ремонту или модификации вне уполномоченного сервисного центра.
 - 8.2. На детали и узлы, имеющие следы естественного износа, такие как: приводные ремни и колеса, угольные щетки, смазка, подшипники, зубчатое зацепление редукторов, резиновые уплотнения, сальники, направляющие ролики, муфты сцепления, бойки, толкатели, стволы, и т.п.
 - 8.3. На сменные и расходные части: цанги, зажимные гайки и фланцы, фильтры, ножи, шлифовальные подошвы, цепи, звездочки, пыльные шины, защитные кожухи, пилки, абразивы, пыльные и абразивные диски, фрезы, сверла, буры и т.п.
 - 8.4. На неисправности, возникшие в результате перегрузки инструмента (как механической, так и электрической), повлекшей выход из строя одновременно двух и более деталей и узлов, таких как ротора и статора, обеих обмоток статора, ведомой и ведущей шестерни редуктора или других узлов и деталей. К безусловным признакам перегрузки изделия относятся, помимо прочего: появление цветов побежалости, деформация или оплавление деталей и узлов изделия, потемнение или обугливание изоляции проводов электродвигателя под воздействием высокой температуры.

Товар получен в исправном состоянии, без видимых повреждений, в полной комплектации, проверен в моем присутствии, претензий по качеству товара не имею. С условиями гарантийного обслуживания ознакомлен и согласен.

Ф. И. О. и подпись покупателя _____

Уважаемые клиенты, наша сеть авторизованных сервисных центров постоянно расширяется. Актуальную информацию об обслуживании в интересующем вас городе вы можете узнать на сайте

www.2helpU.com

Информация об инструменте

Наименование инструмента	
Модель	
Наименование продавца	
Дата продажи	

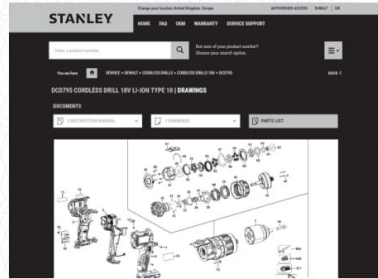
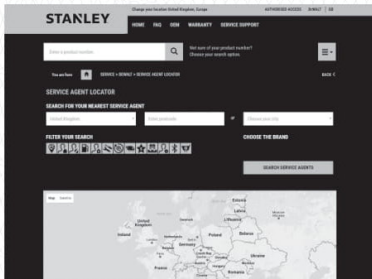
М.П.
Продавца

Серийный номер / Дата производства

Инструмент	
Зарядное устройство	
Аккумулятор 1	
Аккумулятор 2	

На сайте www.2helpU.com доступны следующие функции:

- Список авторизованных сервисных центров
- Удобный поиск ближайшего сервисного центра
- Руководство по эксплуатации
- Технические характеристики
- Список деталей и запасных частей
- Схема сборки инструмента



**Также данную информацию вы можете получить, позвонив по телефону:
8(800) 1000 876**

ОТМЕТКА О ПРОВЕДЕНИИ СЕРВИСНОГО ОБСЛУЖИВАНИЯ

№1	№2	№3	№4
№ заказа	№ заказа	№ заказа	№ заказа
Дата поступления	Дата поступления	Дата поступления	Дата поступления
Дата ремонта	Дата ремонта	Дата ремонта	Дата ремонта
Печать и подпись сервисного центра	Печать и подпись сервисного центра	Печать и подпись сервисного центра	Печать и подпись сервисного центра

Сфера застосування

Ваш перфоратор виробництва компанії Stanley FatMax призначений для свердління у деревині, металі, пластмасі та цегляній кладці, а також для використання у якості шурупокрута та легкого відбійного молотка. Цей пристрій призначений для професійного використання, а також для приватних непрофесійних користувачів.

Інструкції з техніки безпеки

Загальні правила безпеки для електричного інструмента



Увага! Прочитайте всі попередження та інструкції. Невиконання наведених нижче попереджень та інструкцій може призвести до ураження електричним струмом, пожежі та/або серйозних травм.

Збережіть всі попередження та інструкції для використання в майбутньому. Термін «електричний інструмент» в усіх попередженнях стосується використовуваних вами інструментів, що працюють від мережі енергоспоживання (з використанням електричного кабелю) або акумуляторів (без кабелю).

1. Безпека робочої зони

- Тримайте робочу зону чистою та добре освітленою. Невпорядковані й темні робочі зони збільшують імовірність нещасного випадку.
- Не використовуйте електричні інструменти у вибухонебезпечній атмосфері, наприклад у присутності займистих рідин, газів та пилу. Електричні інструменти створюють іскри, що можуть запалити пил або випаровування.
- Тримайте дітей та сторонніх подалі під час використання інструмента. Відвернення уваги може призвести до втрати контролю.

2. Електрична безпека

- Вилка електричного інструмента має відповідати розетці. Ніколи жодним чином не змінійте вилку. Не використовуйте адаптери з заземленими електричними інструментами. Немодифіковані вилки та розетки, що відповідають їм, зменшують ризик ураження електричним струмом.
- Уникайте контакту тіла із заземленими поверхнями, такими як труби, радіатори, плити та холодильники. Якщо ваше тіло заземлене, збільшується ризик ураження електричним струмом.
- Не залишайте електричні інструменти під дощем або за умов підвищеної вологості. Вода, що потрапляє в електричний інструмент, підвищує ризик

ураження електричним струмом.

- Не використовуйте кабель живлення не за призначенням. Ніколи не переносьте, не тягніть та не відключайте електричний інструмент від розетки живлення за допомогою шнура. Тримайте шнур подалі від високих температур, мастила, гострих предметів та рухомих деталей. Пошкоджені або перекручені шнури підвищують ризик ураження електричним струмом.
- Під час експлуатації електричного інструмента на вулиці використовуйте подовжувальний шнур, що призначений для використання поза приміщеннями. Використання шнура, що призначений для використання поза приміщенням, знижує ризик ураження електричним струмом.
- Якщо неможливо уникнути використання електричного інструмента за умов підвищеної вологості, використовуйте джерело живлення, захищене пристроєм з керуванням диференційним струмом (RCD). Використання RCD знижує ризик ураження електричним струмом.

3. Особиста безпека

- Будьте в стані готовності, дивіться, що ви робите, та будьте розсудливі, працюючи з електричним інструментом. Не використовуйте електричний інструмент, коли ви втомлені або знаходитеся під впливом наркотичних речовин, алкоголю або ліків. Втрата уваги під час роботи з електричними інструментами може призвести до серйозних травм.
- Використовуйте особисті засоби безпеки. Завжди використовуйте засоби захисту очей. Засоби безпеки, такі як протипилова маска, нековзкі безпечні черевки, захисний шолом та засоби захисту слухового апарату, які використані для відповідних умов, зменшують імовірність особистих травм.
- Уникайте випадкового запуску. Переконайтесь в тому, що перемикач знаходиться в позиції Вимк., перш ніж підключати інструмент до джерела живлення та/або акумулятора, перемішувати або переносити. Якщо ви переносите інструмент, тримаючи палець на перемикачі, або підключаєте живлення з перемикачем в позиції Увімк., це може призвести до нещасного випадку.
- Зніміть всі налаштовувальні ключі або гайкові ключі перед вмиканням електричного інструмента. Гайковий ключ, що залишився прикріпленим до якоїсь деталі електричного пристрою, що обертається, може призвести до травм.
- Не перенапружуйтеся. Завжди утримуйте правильну постановку ніг і рівновагу. Це дає вам змогу краще контролювати інструмент в непередбачуваних ситуаціях.

- f. **Вдягайте відповідний одяг. Не вдягайте вільний одяг або прикраси. Тримайте ваше волосся, одяг та рукавички подалі від рухомих деталей.** Вільний одяг, прикраси або довге волосся можуть зачепитися за рухомі деталі.
- g. **Якщо передбачені пристрої для підключення до засобів виділення та збирання пилу, переконайтеся, що вони правильно підключені та використовуються.** Використання таких пристроїв зменшує ризик виникнення небезпечних ситуацій, що пов'язані з потраплянням пилу.
4. **Використання електричного інструмента та догляд за ним**
- a. **Не застосовуйте надмірні зусилля під час роботи з інструментом. Використовуйте електричний інструмент, який відповідає завданню, що виконується.** Правильно обраний інструмент виконає завдання краще та безпечніше за умов, для яких він був розроблений.
- b. **Не використовуйте інструмент, вмикач якого не вмикає та не вимикає його.** Будь-який електричний інструмент, який не може управлятися вмикачем, є небезпечним і має бути відремонтований.
- c. **Відключіть вилку від джерела живлення та/або зніміть акумуляторний блок з електричного інструмента перед тим, як робити будь-які налаштування, змінювати додаткове обладнання чи зберігати електричні інструменти.** Ці профілактичні заходи зменшують ризик випадкового запуску електричного інструмента.
- d. **Зберігайте вимкнені електричні інструменти подалі від дітей та не дозволяйте особам, що не знайомі з електричним інструментом або цими інструкціями, використовувати електричний інструмент.** Електричні інструменти є небезпечними, якщо вони використовуються некваліфікованими користувачами.
- e. **Технічне обслуговування електричних інструментів. Перевіряйте несумісність або заїдання рухомих деталей, наявність ушкоджених частин та інших умов, що можуть впливати на роботу електричного інструмента. Якщо є пошкодження, відремонтуйте електричний інструмент перед використанням.** Багато нещасних випадків є результатом того, що інструмент не пройшов відповідного технічного обслуговування.
- f. **Тримайте ріжучі інструменти гострими та чистими.** Правильно доглянуті ріжучі інструменти з гострими ріжучими кромками мають меншу ймовірність заїдання, та ними легше керувати.
- g. **Використовуйте електричний інструмент, приладдя та деталі інструмента тощо у відповідності до цих інструкцій, зважаючи на**

умови використання та роботу, яка має бути виконана. Використання електричних інструментів не за призначенням може призвести до виникнення небезпечних ситуацій.

5. Обслуговування

- a. **Передавайте електричний інструмент для обслуговування кваліфікованим спеціалістам з ремонту та використовуйте тільки ідентичні заміні деталі.** Це забезпечить безпеку електричного пристрою.

Додаткові правила безпеки для електричного інструмента



Увага! Додаткові інструкції з техніки безпеки для перфораторів та відбійних молотків.

- ◆ **Використовуйте засоби захисту слуху.** Шум може призвести до втрати слуху.
- ◆ **Використовуйте додаткові ручки, що надаються з інструментом.** Втрата контролю над інструментом може викликати травми.
- ◆ **Тримайте інструмент за ізольовану поверхню при виконанні операцій коли ріжучі аксесуари можуть торкнутися проводки або власного кабелю.** Ріжучі елементи при контакті з дротом під напругою можуть призвести до появи напруги в інструменті та ураження оператора електричним струмом.
- ◆ **Не використовуйте насадку-долото в режимі з обертанням.** Таке приладдя може застрягти в матеріалі та повернути ударний дріль.
- ◆ **Використовуйте затискач або інший спосіб закріплення деталі, що оброблюється, на стабільній платформі.** Утримування деталі в руці та притискання до тіла робить її нестабільною та може призвести до втрати контролю.
- ◆ **Перед свердлінням стін, підлоги та стелі переконайтеся, що в цьому місці відсутні електрична проводка та труби.**
- ◆ **Уникайте контакту з кінцем свердла відразу після свердління, тому що він може бути гарячим.**
- ◆ **Цей інструмент не призначений для використання особами (включаючи дітей) із зниженими фізичними, сенсорними або розумовими можливостями або особами, яким бракує досвіду або знань за винятком випадків, коли такі особи працюють під наглядом або отримали інструкції щодо використання пристрою від особи, яка несе відповідальність за їх безпеку. Уважно слідуйте за тим, щоб діти не гралися з пристроєм.**
- ◆ **Використання за призначенням описане в цьому керівництві з використання. Використання будь-якого приладдя чи додаткового обладнання або виконання**

будь-яких дій з інструментом, що суперечать рекомендаціям цього посібника, може призвести до ризику травмування людини та/або пошкодження майна.

- ◆ Використовуйте маску для обличчя або протипилову маску при виконанні операцій, що призводять до утворення пилу або летючих часток.

Безпека оточення

- ◆ Цей пристрій не призначений для використання особами (включаючи дітей) із зниженими фізичними, сенсорними або розумовими можливостями або особами, яким бракує досвіду або знань за винятком випадків, коли такі особи працюють під наглядом або отримали інструкції щодо використання пристрою від особи, яка несе відповідальність за їх безпеку.
- ◆ Уважно слідкуйте за тим, щоб діти не гралися з пристроєм.

Залишкові ризики.

Під час використання інструмента можуть виникнути додаткові залишкові ризики, які не внесені до попереджень щодо техніки безпеки в цьому посібнику. Ці ризики можуть виникнути як результат неправильного використання, тривалого використання тощо.

Незважаючи на виконання всіх відповідних правил техніки безпеки та використання захисних пристроїв, неможливо уникнути деяких залишкових ризиків. Сюди належать:

- ◆ Травми через контакт з деталями, що рухаються/обертаються.
- ◆ Травми під час заміни деталей, пильних дисків або аксесуарів.
- ◆ Травми через занадто тривале використання інструменту. Під час використання будь-якого інструменту протягом тривалого періоду часу не забувайте робити регулярні перерви.
- ◆ Порушення слуху.
- ◆ Небезпека для здоров'я через вдихання пилу, що утворюється під час використання інструменту (наприклад, при роботі з деревом, особливо з дубом, буком та ДВП).

Вібрація

Значення вібрації, вказані у технічних даних та у декларації про відповідність виміряні з дотриманням стандартних методів тестування, наданих в EN 60745, та їх можна використовувати для порівняння одного інструменту з іншим. Задекларовані значення вібрації можна також використовувати для попереднього оцінювання впливу вібрації.

Увага! Значення вібрації під час використання інструмента може відрізнитися від задекларованого в залежності від способів використання інструмента. Рівень вібрації може перевищувати вказані значення.

Оцінюючи вплив вібрації для визначення заходів безпеки за вимогами 2002/44/ЕС, щоб захистити людей, які регулярно використовують інструменти в роботі, необхідно враховувати реальні умови та способи використання інструмента, у тому числі всі періоди робочого циклу, наприклад час, коли інструмент вимкнено та коли він працює в режимі холостого ходу, а також час, потрібний для запуску інструмента.

Написи на інструменті

На інструменті є наступні піктограми:



Увага! Щоб зменшити ризик травм, користувач повинен прочитати посібник з експлуатації.

Електрична безпека



Цей зарядний пристрій має подвійну ізоляцію; тому заземлення не є необхідним. Завжди перевіряйте відповідність джерела живлення напрузі, яка вказана на табличці з паспортними даними.

- ◆ Якщо силовий кабель пошкоджений, його необхідно замінити у виробника або в офіційному сервісному центрі Stanley FATMAX для уникнення небезпеки.

Компоненти

Цей пристрій оснащено всіма або кількома з вказаних нижче компонентів.

1. Вимикач
2. Селектор вибору швидкості
3. Селектор режимів свердління
4. Селектор робочих режимів
5. Тримач насадок
6. Бокова ручка
7. Обмежувач глибини
8. Маслянка

Монтаж

Увага! Перед монтажем переконайтеся, що інструмент вимкнено та вилка витягнута з розетки.

Установка бокової ручки (рис. А)

- ◆ Поверніть затискач проти годинникової стрілки так, щоб бокова ручка (6) встала в передню частину інструмента, як показано на рисунку.
- ◆ Поверніть бокову ручку у необхідну позицію.
- ◆ Затягніть бокову ручку, повернувши затискач за годинниковою стрілкою.

Встановлення та налаштування обмежувача глибини (рис. А)

- ◆ Відпустіть ручку (9).
- ◆ Встановіть обмежувач глибини (7) в монтажний отвір, як показано на рисунку.
- ◆ Встановіть обмежувач глибини (7) на необхідну позицію. Максимальна глибина свердління дорівнює відстані між кінцем свердла та переднім краєм обмежувача глибини.
- ◆ Затягніть ручку (9).

Встановлення приладдя (рис. B–D)

- ◆ Очистіть та змастіть хвостовик (10) приладдя.
- ◆ Відтягніть назад муфту (11) і вставте хвостовик у тримач приладдя (5).
- ◆ Натисніть на приладдя вниз та трохи проверніть його так, щоб воно ввійшло в отвір.
- ◆ Потягніть за приладдя щоб переконатися, що воно добре закріплене. Функція удару вимагає, щоб приладдя рухалось по осі на кілька сантиметрів після того, як воно заблоковане в тримачі інструмента.
- ◆ Щоб зняти приладдя, відтягніть муфту назад (11) і витягніть приладдя.

Затискний патрон з ключем (рис. D)

- ◆ Відкрийте патрон, повернувши затискач (12) проти годинникової стрілки.
- ◆ Вставте хвостовик насадки (13) у затискний патрон.
- ◆ Вставте ключ патрона (14) в кожний отвір (15) з бокової сторони патрону та повертайте за годинниковою стрілкою, доки він не буде добре затиснений.

Використання

Увага! Інструмент повинен працювати з рекомендованою швидкістю. Не перевантажуйте його.

Увага! Перед свердлінням стін, підлоги та стелі переконайтесь, що в цьому місці відсутні електрична проводка та труби.

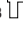

Увага! Не використовуйте насадку-долото, коли на інструменті встановлено режим свердління.

Вибір режиму роботи (рис. F)


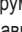
Цей інструмент можна використовувати в трьох режимах роботи.

- ◆ Поверніть селектор режиму свердління (3) в необхідне положення відповідно до символів.
- ◆ Щоб задіяти селектор режиму роботи (4), необхідно натиснути на кнопку блокування (16) і повернути селектор у необхідне положення, відповідно до символів.

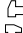

Свердління

- ◆ Для свердління металу, деревини або пластику та для використання в якості шурупокрута встановіть селектор режиму роботи (4) в положення , а селектор режиму свердління (3) – в положення .

Ударне свердління

- ◆ Для режиму ударного свердління металу, деревини або пластику та для використання в якості шурупокрута встановіть селектор режиму роботи (4) в положення , а селектор режиму свердління (3) – в положення . Під час ударної дії інструмент не повинен відстрибувати, а має працювати плавно. Збільште швидкість, якщо це необхідно.

Свердління з ударом

- ◆ Для ударної дії з блокуванням шпинделя, легкого додання та відколювання, встановіть селектор режиму роботи (4) у положення , а селектор режиму свердління (3) – у положення .
- ◆ Переходячи з режиму ударної дії до режиму додання, поверніть долото в потрібне положення. Якщо під час зміни режиму відчувається опір, поверніть долото, щоб воно контактувало з фіксатором шпинделя.

Увімкнення та вимкнення

- ◆ Оберіть необхідну швидкість, повернувши селектор вибору швидкості (2).
- ◆ Для увімкнення інструменту натисніть перемикач Увімк./Вимк. (1).
- ◆ Щоб вимкнути інструмент, відпустіть перемикач вперед/назад.

Контроль щіток (рис. E)

Ваш інструмент оснащено вбудованою системою контролю стану щіток.

- ◆ Зелений індикатор контролю щіток (17). Щітки в хорошому стані.
- ◆ Червоний індикатор контролю щіток (18). Щітки зношені та вимагають заміни, віднесіть інструмент до авторизованого сервісного центру Stanley Europe для заміни щіток.

Приладдя

Продуктивність роботи інструмента залежить від приладдя, яке ви використовуєте. Витратні матеріали виробництва компанії Stanley FatMax розроблені з дотриманням високих стандартів якості та створені для підвищення ефективності використання вашого інструмента. Використовуючи це обладнання, ви отримаєте максимум ефективності від вашого інструменту.

Технічне обслуговування

Ваш пристрій виробництва компанії Stanley FatMax призначений для роботи протягом довгого часу з мінімальним обслуговуванням. Тривала задовільна робота приладу залежить від належного обслуговування приладу та регулярного його очищення.

Увага! Перед виконанням будь-якого технічного обслуговування інструмента зі шнуром живлення або без нього виконайте такі дії.

- ◆ Вимкніть інструмент та відключіть його від мережі живлення.
- ◆ Регулярно очищуйте вентиляційні отвори пристрою/інструменту/зарядного пристрою за допомогою м'якої щітки або сухої ганчірки.
- ◆ Регулярно очищуйте корпус двигуна вологою тканиною. Не використовуйте абразивні очищувачі та засоби, що містять розчинники.
- ◆ Регулярно відкривайте затиснений патрон та струшуйте його, щоб видалити пил з середини (якщо патрон наявний).

Заміна шнура живлення (тільки для Великобританії та Ірландії)

Якщо потрібно встановити нову вилку, виконайте кілька дій.

- ◆ Зніміть стару вилку та утилізуйте її, дотримуючись правил техніки безпеки.
- ◆ Приєднайте коричневий провідник до активного виходу нової вилки.
- ◆ Приєднайте блакитний провідник до нейтрального виходу.

Увага! Жоден провід не повинен бути підключений до клеми заземлення. Дотримуйтеся інструкцій щодо встановлення, які постачаються з якісними вилками. Плавкий запобіжник, що рекомендується: 5 А.

Захист навколишнього середовища



Роздільний збір. Даний виріб не можна викидати разом зі звичайним побутовим сміттям.

Якщо ви вирішите, що ваш виріб фірми Stanley FatMax потрібно замінити, або він вам більше не потрібний, не викидайте його на смітник побутового сміття. Даний виріб необхідно утилізувати в місцях роздільного збору сміття.



Окремий збір використаних виробів та упаковки дозволяє повторно переробляти та використовувати матеріали.

Переробка повторно використовуваних матеріалів допомагає знизити рівень забруднення навколишнього середовища та зменшує потребу в сировині.

Місцеві законодавчі акти можуть передбачати окремий збір електричного обладнання в місцях збору побутового сміття або роздрібною торгівлі у випадку придбання нового обладнання.

Компанія Stanley Europe має можливість для збору та переробки продуктів Stanley FatMax після закінчення їхнього терміну служби. Щоб скористатися цією послугою, поверніть виріб компанії в один з офіційних сервісних центрів, які збирають відпрацьовані вироби від нашого імені.

Ви можете знайти місцезнаходження найближчого до вас сервісного центру, зв'язавшись з місцевим офісом компанії Stanley Europe за адресою, що вказана у цих інструкціях. Крім того, список офіційних сервісних центрів компанії Stanley Europe з усіма подробицями нашого післяпродажного обслуговування та контактною інформацією знаходиться в Інтернеті за адресою: www.2helpU.com

Технічні характеристики

		FME1250 (Тип 1)
Вхідна напруга	$V_{\text{мін. струму}}$	230
Вхідна потужність	Вт	1250
Швидкість без навантаження	хв^{-1}	0-850
Швидкість при ударному навантаженні	хв^{-1}	0-4100
Енергія одного удару згідно ЕРТА-Procedure 05/2009	j	3,2
Маса	кг	5,4
Максимальна глибина свердління		
Бетон	мм	32
Сталь	мм	13
Деревина	мм	40

Рівень звукового тиску згідно з EN 60745:

Звуковий тиск ($L_{\text{дБ}}$) 93 дБ(А), похибка (К) 3 дБ(А)

Звукова потужність ($L_{\text{дБ}}$) 104 дБ(А), похибка (К) 3 дБ(А)

Загальні значення вібрації (векторна сума трьох векторів) згідно з EN 60745:
Ударне свердління бетону ($a_{h,HD}$) 14,2 м/с ² , похибка (К) 1,5 м/с ²
Відбивання ($a_{h,Cheg}$) 13,6 м/с ² , похибка (К) 1,5 м/с ²

Декларація про відповідність нормам ЄС ДИРЕКТИВА ДЛЯ МЕХАНІЧНОГО ОБЛАДНАННЯ



FME1250

Компанія Stanley Europe заявляє, що продукти, описані у розділі «Технічні дані» відповідають вимогам: 2006/42/ЕС, EN 60745-1, EN 60745-2-6

Ці продукти також відповідають Директивам 2004/108/ЕС і 2011/65/EU.

Для отримання додаткової інформації, будь ласка, зверніться до компанії Stanley Europe за наведеною нижче адресою або прочитайте інформацію на зворотному боці цього посібника.

Особа, яка підписалася нижче, несе відповідальність за упорядкування файлу технічних характеристик та робить цю заяву від компанії Stanley Europe.

Кевін Хьюїт (Kevin Hewitt)

Віце-президент з глобальних розробок
Stanley Europe, Egide Walschaertsstraat14-18,
2800 Mechelen, Бельгія
12/05/2020

Stanley Europe гарантує безкоштовну заміну несправних деталей або – за нашим рішенням – безкоштовну заміну пристрою у наступних випадках:

- ◆ Продукт використовувався лише за призначенням та відповідно до цих інструкцій.
- ◆ Продукт зазнав нормального зносу;
- ◆ Не виконувався ремонт сторонніми особами;
- ◆ Надається підтвердження покупки.
- ◆ Продукт Stanley FatMax повертається з усіма оригінальними компонентами

Якщо ви бажаєте пред'явити позов, зверніться до свого продавця або у найближчий сервісний центр компанії Stanley FatMax, що вказані у каталозі Stanley FatMax, або зв'яжіться з місцевим офісом компанії Stanley FatMax за адресою, вказаною у цьому посібнику. Список офіційних сервісних центрів компанії Stanley FatMax з усіма подробицями нашого післяпродажного обслуговування та контактною інформацією міститься в Інтернеті за адресою: www.stanley.eu/3



Виробник:

"Stanley Black & Decker Deutschland GmbH" Black-&-Decker Str.40, D-65510 Idstein, Німеччина

060

Гарантія

Компанія Stanley Europe впевнена в якості своєї продукції та пропонує чудові умови гарантії для професійних користувачів цього продукту. Ці гарантійні умови є додатковими та в якійсь мірі підтверджують ваші законні права за угодою як приватного непрофесійного користувача. Ця гарантія є чинною на території країн-членів Європейського Союзу та в європейській зоні вільної торгівлі.

ПОВНА ГАРАНТІЯ НА ОДИН РІК

Якщо продукт компанії Stanley FatMax стає несправним через неякісні матеріали, конструкцію або невідповідність вимогам протягом 12 місяці з дня покупки, компанія

STANLEY
FATMAX

ГАРАНТІЙНИЙ ТАЛОН

3 РОКИ
ГАРАНТІЇ

- Вітаємо Вас з покупкою високоякісного виробу Stanley FATMAX і висловлюємо вдячність за Ваш вибір.
- При покупці виробу вимагайте перевірки його комплектності і справності у Вашій присутності, інструкцію з експлуатації та заповнений гарантійний талон українською мовою. В гарантійному талоні повинні бути внесені: модель, дата продажу, серійний номер, дата виробництва інструменту, назва, печатка і підпис торгової організації. За відсутності у Вас правильно заповненого гарантійного талону, а також при невідповідності зазначених у ньому даних ми будемо змушені відхилити Ваші претензії щодо якості даного виробу.
- Щоб уникнути непорозуміння, переконливо просимо Вас перед початком роботи з виробом уважно ознайомитися з інструкцією з його експлуатації. Правовою основою справжніх гарантійних умов є чинне Законодавство. Гарантійний термін на даний виріб складає 36 місяці і обчислюється з дня продажу. У разі усунення недоліків виробу, гарантійний строк продовжується на період його перебування в ремонті. Термін служби виробу становить 5 років з дня продажу.
- У разі виникнення будь-яких проблем у процесі експлуатації виробу рекомендуємо Вам звертатися тільки в уповноважені сервісні центри Stanley FATMAX, адреси та телефони яких Ви зможете знайти в гарантійному талоні, на сайті www.2helpU.com або дізнатися в магазині. Наші сервісні станції - це не тільки кваліфікований ремонт, але і широкий асортимент запчастин і аксесуарів.
- Виробник рекомендує проводити періодичну перевірку і технічне обслуговування виробу в уповноважених сервісних центрах.
- Наші гарантійні зобов'язання поширюються тільки на несправності, виявлені протягом гарантійного терміну і викликані дефектами виробництва та \ або матеріалів.
- Гарантійні умови не поширюються на несправності виробу, що виникли в результаті:
 - Недотримання користувачем приписів інструкції з експлуатації виробу, застосування виробу не за призначенням, неправильного зберігання, використання приладдя, витратних матеріалів і запчастин, що не передбачені виробником.
 - Механічного пошкодження (відколю, тріщини і руйнування) внутрішніх і зовнішніх деталей виробу, основних і допоміжних рукояток, мережевого кабелю, що викликані зовнішнім ударним або будь-яким іншим впливом
 - Потраплення у вентиляційні отвори та проникнення всередину виробу сторонніх предметів, матеріалів або речовин, що не є відходами, які супроводжують застосування виробу за призначенням, такими як: стружка, тирса, пісок, та ін.
 - Впливу на виріб несприятливих атмосферних і інших зовнішніх факторів, таких як дощ, сніг, підвищена вологість, нагрівання, агресивні середовища, невідповідність параметрів електромережі, що зазначені на інструменті.
 - Стихійного лиха. Пошкодження або втрати виробу, що пов'язані з непередбаченими лихами, стихійними явищами, у тому числі внаслідок дії непереборної сили (пожежа, блискавка, потоп і інші природні явища), а також внаслідок перепадів напруги в електромережі та іншими причинами, які знаходяться поза контролем виробника.
- Гарантійні умови не поширюються:
 - На інструменти, що піддавались розкриттю, ремонту або модифікації поза уповноваженим сервісним центром.
 - На деталі, вузли та матеріали, що мають сліди природного зносу, такі як: приводні реміні і колеса, вугільні щітки, мастило, підшипники, зубчасті зчеплення редукторів, гумові ущільнення, сальники, направляючі ролики, муфти, вимикачі, бойки, штовхачі, стволи тощо.
 - На змінні частини: патрони, цанги, затискні гайки і фланці, фільтри, ножі, шліфувальні підшови, ланцюги, зірочки, пильні шини, захисні кошуки, пилки, абразиви, пильні і абразивні диски, фрези, свердла, бури тощо
 - На несправності, що виникли в результаті перевантаження інструменту (як механічного, так і електричного), що спричинили вихід з ладу одночасно двох і більше деталей і вузлів, таких як: ротора і статора, обох обмоток статора, веденої і ведучої шестерні редуктора або інших вузлів і деталей. До безумовних ознак перевантаження виробу відносяться, крім інших: поява кольорів мільниці, деформація або оплавлення деталей і вузлів виробу, потемніння або обуглювання ізоляції проводів електроприводу під впливом високої температури.

Товар отриманий в справному стані, без видимих ушкоджень, в повній комплектації, перевірений у моїй присутності, претензій щодо якості товару не маю. З умовами гарантійного обслуговування ознайомлений і згоден.

П. І. Б. та підпис власника _____

Шановні клієнти, наша мережа авторизованих сервісних центрів постійно розширюється. Актуальну інформацію про обслуговування в місті, що цікавить вас, ви можете дізнатися на сайті

www.2helpU.com

Редакція ВК/12-12-2018

Інформація про інструмент

Найменування інструменту	
Модель	
Найменування продавця	
Дата продажу	

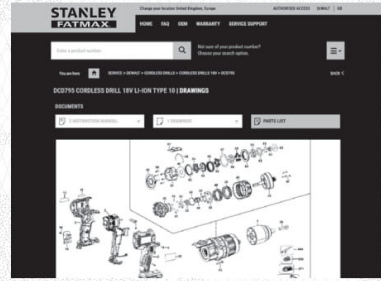
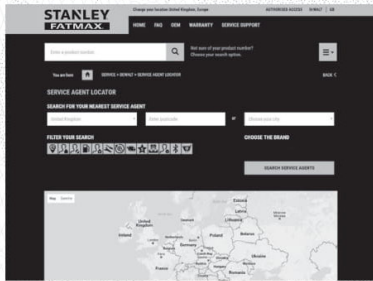
М.П.
Продавця

Серійний номер/Дата виробництва

Інструмент	
Зарядний пристрій	
Акумулятор 1	
Акумулятор 2	

На сайті www.2helpU.com доступні наступні функції:

- Список авторизованих сервісних центрів
- Зручний пошук найближчого сервісного центру
- Керівництво з експлуатації
- Технічні характеристики
- Список деталей і запасних частин
- Схема складання інструменту



Також дану інформацію ви можете отримати, зателефонувавши за номером:
0 (800) 211 521 в Україні

ВІДІТКА ПРО ПРОВЕДЕННЯ СЕРВІСНОГО ОБСЛУГОВУВАННЯ

№1	№2	№3	№4
№ замовлення	№ замовлення	№ замовлення	№ замовлення
Дата прийому	Дата прийому	Дата прийому	Дата прийому
Дата ремонту	Дата ремонту	Дата ремонту	Дата ремонту
Печатка і підпис сервісного центру	Печатка і підпис сервісного центру	Печатка і підпис сервісного центру	Печатка і підпис сервісного центру

