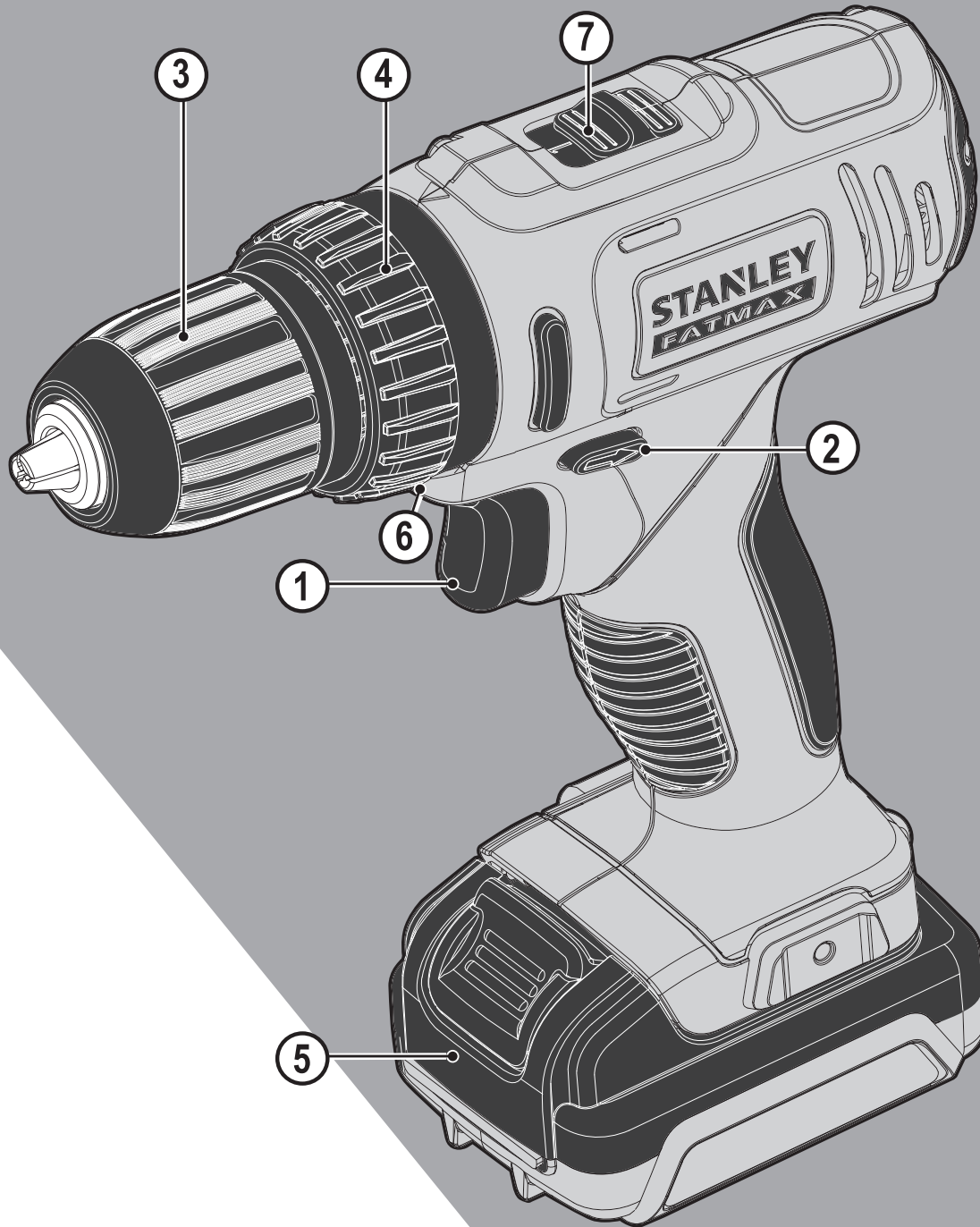


STANLEY®

FATMAX®

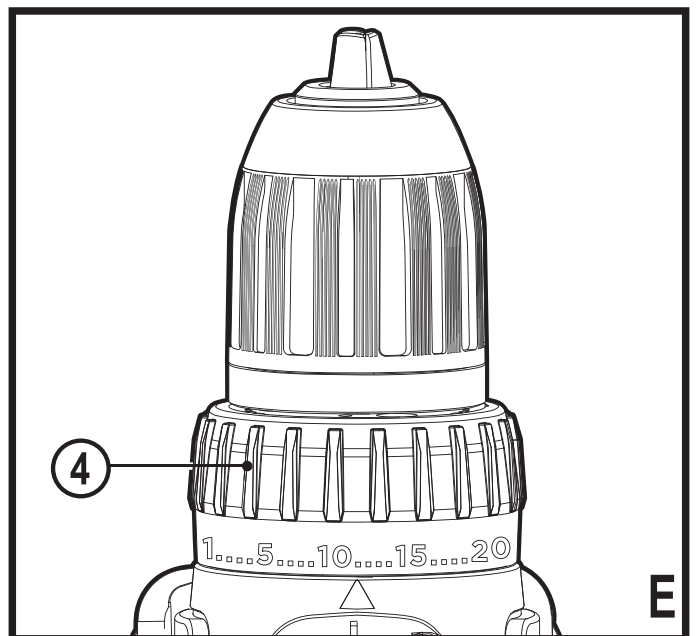
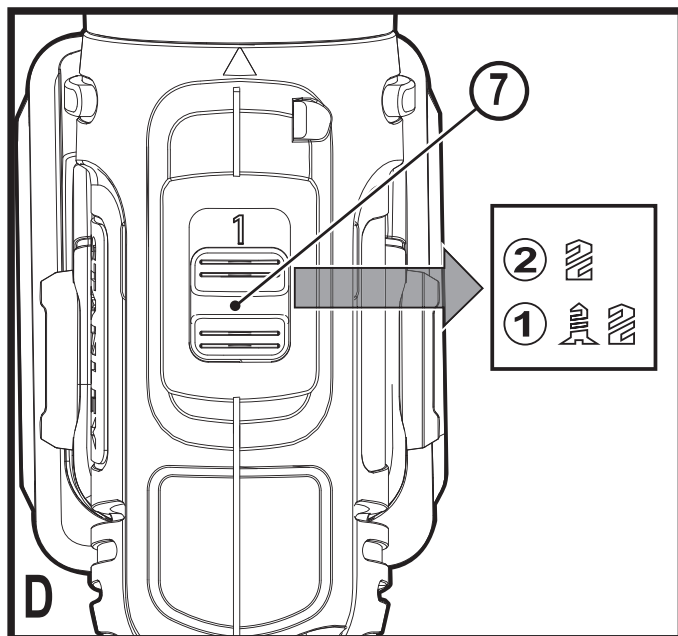
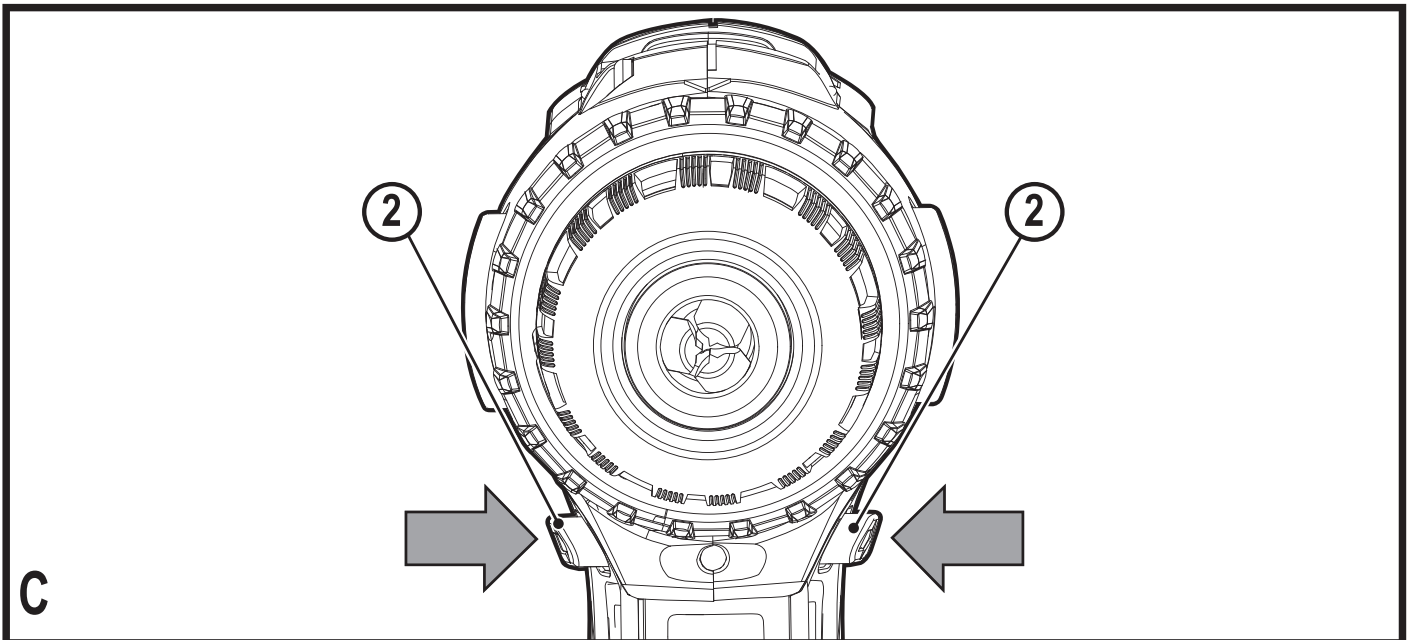
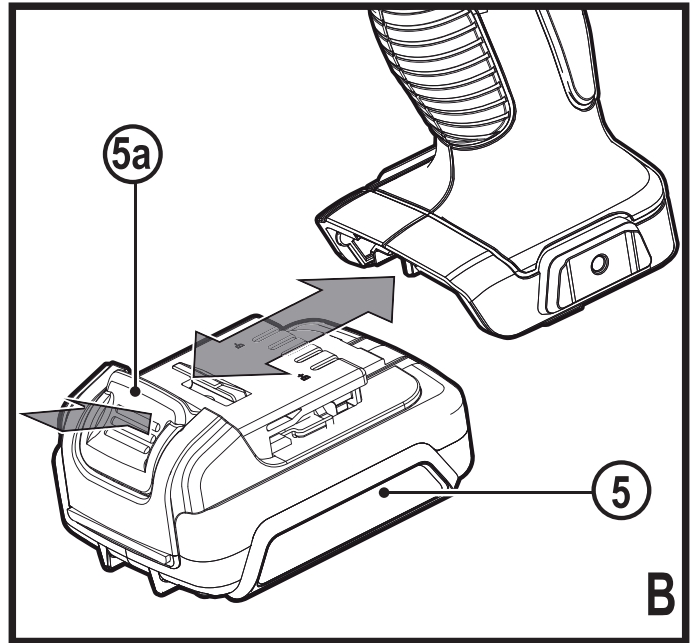
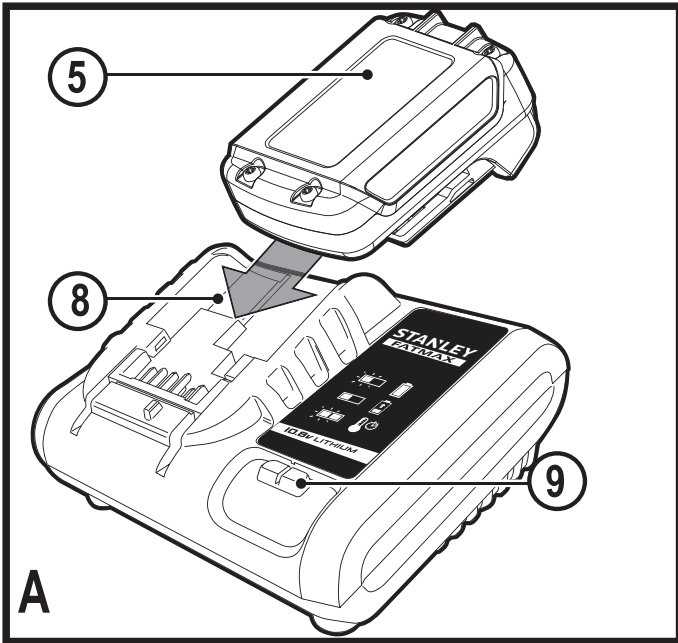


Переклад оригінальних інструкцій

www.stanley.eu

FMC011

English	(Original instructions)	4
Українська	(Переклад оригінальних інструкцій)	10



Intended use

Your Stanley Fat Max FMC011 drill/screwdriver has been designed for screwdriving applications and for drilling in wood, metal and plastics. This tool is intended for professional and private, non professional users.

Safety instructions

General power tool safety warnings



Warning! Read all safety warnings and all instructions. Failure to follow the warnings and instructions listed below may result in electric shock, fire and/or serious injury.

Save all warnings and instructions for future reference.

The term "power tool" in all of the warnings listed below refers to your mains operated (corded) power tool or battery operated (cordless) power tool.

1. **Work area safety**
 - a. **Keep work area clean and well lit.** Cluttered or dark areas invite accidents.
 - b. **Do not operate power tools in explosive atmospheres, such as in the presence of flammable liquids, gases or dust.** Power tools create sparks which may ignite the dust or fumes.
 - c. **Keep children and bystanders away while operating a power tool.** Distractions can cause you to lose control.
2. **Electrical safety**
 - a. **Power tool plugs must match the outlet. Never modify the plug in any way. Do not use any adapter plugs with earthed (grounded) power tools.** Unmodified plugs and matching outlets will reduce risk of electric shock.
 - b. **Avoid body contact with earthed or grounded surfaces such as pipes, radiators, ranges and refrigerators.** There is an increased risk of electric shock if your body is earthed or grounded.
 - c. **Do not expose power tools to rain or wet conditions.** Water entering a power tool will increase the risk of electric shock.
 - d. **Do not abuse the cord. Never use the cord for carrying, pulling or unplugging the power tool. Keep cord away from heat, oil, sharp edges or moving parts.** Damaged or entangled cords increase the risk of electric shock.
 - e. **When operating a power tool outdoors, use an extension cord suitable for outdoor use.** Use of a cord suitable for outdoor use reduces the risk of electric shock.
 - f. **If operating a power tool in a damp location is unavoidable, use a residual current device (RCD) protected supply.** Use of an RCD reduces the risk of electric shock.
3. **Personal safety**
 - a. **Stay alert, watch what you are doing and use common sense when operating a power tool. Do not use a power tool while you are tired or under the influence of drugs, alcohol or medication.** A moment of inattention while operating power tools may result in serious personal injury.
 - b. **Use personal protective equipment. Always wear eye protection.** Protective equipment such as dust mask, non-skid safety shoes, hard hat, or hearing protection used for appropriate conditions will reduce personal injuries.
 - c. **Prevent unintentional starting. Ensure the switch is in the off-position before connecting to power source and/or battery pack, picking up or carrying the tool.** Carrying power tools with your finger on the switch or energising power tools that have the switch on invites accidents.
 - d. **Remove any adjusting key or wrench before turning the power tool on.** A wrench or a key left attached to a rotating part of the power tool may result in personal injury.
 - e. **Do not overreach. Keep proper footing and balance at all times.** This enables better control of the power tool in unexpected situations.
 - f. **Dress properly. Do not wear loose clothing or jewellery. Keep your hair, clothing and gloves away from moving parts.** Loose clothes, jewellery or long hair can be caught in moving parts.
 - g. **If devices are provided for the connection of dust extraction and collection facilities, ensure these are connected and properly used.** Use of dust collection can reduce dust-related hazards.
4. **Power tool use and care**
 - a. **Do not force the power tool. Use the correct power tool for your application.** The correct power tool will do the job better and safer at the rate for which it was designed.
 - b. **Do not use the power tool if the switch does not turn it on and off.** Any power tool that cannot be controlled with the switch is dangerous and must be repaired.
 - c. **Disconnect the plug from the power source and/or the battery pack from the power tool before making any adjustments, changing accessories, or storing power tools.** Such preventive safety measures reduce the risk of starting the power tool accidentally.
 - d. **Store idle power tools out of the reach of children and do not allow persons unfamiliar with the power tool or these instructions to operate the power tool.** Power tools are dangerous in the hands of untrained users.

- e. **Maintain power tools. Check for misalignment or binding of moving parts, breakage of parts and any other condition that may affect the power tools operation. If damaged, have the power tool repaired before use.** Many accidents are caused by poorly maintained power tools.
 - f. **Keep cutting tools sharp and clean.** Properly maintained cutting tools with sharp cutting edges are less likely to bind and are easier to control.
 - g. **Use the power tool, accessories and tool bits etc. in accordance with these instructions, taking into account the working conditions and the work to be performed.** Use of the power tool for operations different from those intended could result in a hazardous situation.
- 5. Battery tool use and care**
- a. **Recharge only with the charger specified by the manufacturer.** A charger that is suitable for one type of battery pack may create a risk of fire when used with another battery pack.
 - b. **Use power tools only with specifically designated battery packs.** Use of any other battery packs may create a risk of injury and fire.
 - c. **When battery pack is not in use, keep it away from other metal objects, like paper clips, coins, keys, nails, screws, or other small metal objects, that can make a connection from one terminal to another.** Shorting the battery terminals together may cause burns or a fire.
 - d. **Under abusive conditions, liquid may be ejected from the battery; avoid contact. If contact accidentally occurs, flush with water. If liquid contacts eyes, additionally seek medical help.** Liquid ejected from the battery may cause irritation or burns.
- 6. Service**
- a. **Have your power tool serviced by a qualified repair person using only identical replacement parts.** This will ensure that the safety of the power tool is maintained.

Additional power tool safety warnings



Warning! Additional safety warnings for drills and impact drivers

- ◆ **Wear ear protectors with impact drills.** Exposure to noise can cause hearing loss.
- ◆ **Use auxiliary handles supplied with the tool.** Loss of control can cause personal injury.
- ◆ **Hold power tool by insulated gripping surfaces when performing an operation where the fastener may contact hidden wiring.** Fasteners contacting a “live”

wire may make exposed metal parts of the power tool “live” and could give the operator an electric shock.

- ◆ **Use clamps or another practical way to secure and support the workpiece to a stable platform.** Holding the work by hand or against your body leaves it unstable and may lead to loss of control.
- ◆ This tool is not intended for use by persons (including children) with reduced physical, sensory or mental capabilities, or lack of experience and knowledge, unless they have been given supervision or instruction concerning use of the appliance by a person responsible for their safety. Children should be supervised to ensure that they do not play with the appliance.
- ◆ The intended use is described in this instruction manual. The use of any accessory or attachment or performance of any operation with this tool other than those recommended in this instruction manual may present a risk of personal injury and/or damage to property.

Safety of others

- ◆ This appliance can be used by children aged from 8 years and above and persons with reduced physical, sensory or mental capabilities or lack of experience and knowledge if they have been given supervision or instruction concerning use of the appliance in a safe way and understand the hazards involved.
- ◆ Children shall not play with the appliance. Cleaning and user maintenance shall not be made by children without supervision.

Residual risks.

Additional residual risks may arise when using the tool which may not be included in the enclosed safety warnings. These risks can arise from misuse, prolonged use etc.

Even with the application of the relevant safety regulations and the implementation of safety devices, certain residual risks can not be avoided. These include:

- ◆ Injuries caused by touching any rotating/moving parts.
- ◆ Injuries caused when changing any parts, blades or accessories.
- ◆ Injuries caused by prolonged use of a tool. When using any tool for prolonged periods ensure you take regular breaks.
- ◆ Impairment of hearing.
- ◆ Health hazards caused by breathing dust developed when using your tool (example:- working with wood, especially oak, beech and MDF.)

Vibration

The declared vibration emission values stated in the technical data and the declaration of conformity have been measured in accordance with a standard test method provided by EN60745 and may be used for comparing one tool with another. The declared vibration emission value may also be used in a preliminary assessment of exposure.

Warning! The vibration emission value during actual use of the power tool can differ from the declared value depending on the ways in which the tool is used. The vibration level may increase above the level stated.

When assessing vibration exposure to determine safety measures required by 2002/44/EC to protect persons regularly using power tools in employment, an estimation of vibration exposure should consider, the actual conditions of use and the way the tool is used, including taking account of all parts of the operating cycle such as the times when the tool is switched off and when it is running idle in addition to the trigger time.

Labels on tool

The following symbols along with the date code are shown on the tool:



Warning! To reduce the risk of injury, the user must read the instruction manual.

Additional safety instructions for batteries and chargers

Batteries

- ◆ Never attempt to open for any reason.
- ◆ Do not expose the battery to water.
- ◆ Do not store in locations where the temperature may exceed 40 °C.
- ◆ Charge only at ambient temperatures between 10 °C and 40 °C.
- ◆ Charge only using the charger provided with the tool.
- ◆ When disposing of batteries, follow the instructions given in the section "Protecting the environment".



Do not attempt to charge damaged batteries.

Chargers

- ◆ Use your Stanley Fat Max charger only to charge the battery in the tool with which it was supplied. Other batteries could burst, causing personal injury and damage.
- ◆ Never attempt to charge non-rechargeable batteries.
- ◆ Have defective cords replaced immediately.
- ◆ Do not expose the charger to water.
- ◆ Do not open the charger.
- ◆ Do not probe the charger.



The charger is intended for indoor use only.



Read the instruction manual before use.

Electrical safety



Your charger is double insulated; therefore no earth wire is required. Always check that the mains voltage corresponds to the voltage on the rating plate. Never attempt to replace the charger unit with a regular mains plug.

- ◆ If the supply cord is damaged, it must be replaced by the manufacturer or an authorised Stanley Fat Max Service Centre in order to avoid a hazard.

Features

This tool includes some or all of the following features.

1. Variable speed switch
2. Forward/reverse slider
3. Chuck
4. Chuck collar
5. Battery
6. LED work light
7. Speed selector

Fig. A

8. Charger
9. Charging indicator

Assembly

Warning! Before assembly, remove the battery from the tool.

Fitting and removing the battery (fig. B)

- ◆ To fit the battery (5), line it up with the receptacle on the tool. Slide the battery into the receptacle and push until the battery snaps into place.
- ◆ To remove the battery, push the release buttons (5a) while at the same time pulling the battery out of the receptacle.

Fitting and removing a drill bit or screwdriver bit

This tool is fitted with a keyless chuck to allow for an easy exchange of bits.

- ◆ Lock the tool by setting the forward/reverse slider (2) to the centre position.
- ◆ Grasp the chuck (3) and rotate it in the counterclockwise direction, as viewed from the chuck end.
- ◆ Insert the bit shaft into the chuck.
- ◆ Firmly tighten the chuck by rotating it in the clockwise direction as viewed from the chuck end.

Warning! Do not attempt to tighten drill bits (or any other accessory) by gripping the front part of the chuck and turning the tool on.

Damage to the chuck and personal injury may occur when changing accessories in this manner.

Use

Warning! Let the tool work at its own pace. Do not overload.

Charging the battery (fig. A)

The battery needs to be charged before first use and whenever it fails to produce sufficient power on jobs that were easily done before. The battery may become warm while charging; this is normal and does not indicate a problem.

Warning! Do not charge the battery at ambient temperatures below 10 °C or above 40 °C. Recommended charging temperature: approx. 24 °C.

Note: The charger will not charge a battery if the cell temperature is below approximately 10 °C or above 40 °C. The battery should be left in the charger and the charger will begin to charge automatically when the cell temperature warms up or cools down.

- ◆ To charge the battery (5), insert it into the charger (8). The battery will only fit into the charger in one way. Do not force. Be sure that the battery is fully seated in the charger.
- ◆ Plug in the charger and switch on at the mains. The charging indicator (9) will flash green continuously (slowly). The charge is complete when the charging indicator (9) lights green continuously. The charger and the battery can be left connected indefinitely with the LED illuminated. The LED will change to flashing green (charging) state as the charger occasionally tops up the battery charge. The charging indicator (9) will be lit as long as the battery is connected to the plugged-in charger.
- ◆ Charge discharged batteries within 1 week. Battery life will be greatly diminished if stored in a discharged state.

Leaving the battery in the charger

The charger and battery pack can be left connected with the LED glowing indefinitely. The charger will keep the battery pack fresh and fully charged.

Charger diagnostics

If the charger detects a weak or damaged battery, the charging indicator (9) will flash red at a fast rate. Proceed as follows:

- ◆ Re-insert the battery (5).
- ◆ If the charging indicators continues flashing red at a fast rate, use a different battery to determine if the charging process works properly.
- ◆ If the replaced battery charges correctly, the original battery is defective and should be returned to a service centre for recycling.
- ◆ If the new battery gives the same indication as the original battery, take the charger to be tested at an authorised service centre.

Note: It may take as long as 60 minutes to determine that the battery is defective. If the battery is too hot or too cold, the LED will alternately blink red, fast and slow, one flash at each speed and repeat.


Selecting the direction of rotation (fig. C)

For tightening, use forward (clockwise) rotation. For loosening, use reverse (counterclockwise) rotation.

- ◆ To select forward rotation, push the forward/reverse slider (2) to the left.
- ◆ To select reverse rotation, push the forward/reverse slider to the right.
- ◆ To lock the tool, set the forward/reverse slider into the centre position.

Selecting the torque (fig. E)

This tool is fitted with a collar to set the torque for various screwdriving and drilling applications. Large screws and hard workpiece materials require a higher torque setting than small screws and soft workpiece materials. For the definition of the symbol refer to the listing below

- ◆ For drilling in wood, metal and plastics, set the torque adjustment collar (4) to the  symbol.
- ◆ For screwdriving, set the collar to the desired setting. If you do not yet know the appropriate setting, proceed as follows.
 - ◆ Set the torque adjustment collar (4) to the lowest torque setting.
 - ◆ Tighten the first screw.
 - ◆ If the clutch ratchets before the desired result is achieved, increase the collar setting and continue tightening the screw. Repeat until you reach the correct setting. Use this setting for the remaining screws.

Speed selector (fig. D)

- ◆ For drilling in steel and for screwdriving applications, slide the speed selector (7) towards the rear of the tool (1st gear).
- ◆ For drilling in materials other than steel, slide the speed selector (7) towards the front of the tool (2nd gear).

Drilling/screwdriving

- ◆ Select forward or reverse rotation using the forward/reverse slider (2).
- ◆ To switch the tool on, press the switch (1). The tool speed depends on how far you press the switch.
- ◆ To switch the tool off, release the switch.

LED work light

The LED work light (6) is activated automatically when the trigger is depressed. The LED work light will illuminate when the trigger is partially depressed, before the unit begins running.

Hints for optimum use

Drilling

- ◆ Always apply a light pressure in a straight line with the drill bit.
- ◆ Just before the drill tip breaks through the other side of the workpiece, decrease pressure on the tool.
- ◆ Use a block of wood to back up workpieces that may splinter.
- ◆ Use spade bits when drilling large diameter holes in wood.
- ◆ Use HSS drill bits when drilling in metal.
- ◆ Use masonry bits when drilling in soft masonry.
- ◆ Use a lubricant when drilling metals other than cast iron and brass.
- ◆ Make an indentation using a centre punch at the centre of the hole to be drilled in order to improve accuracy.

Screwdriving

- ◆ Always use the correct type and size of screwdriver bit.
- ◆ If screws are difficult to tighten, try applying a small amount of washing liquid or soap as a lubricant.
- ◆ Always hold the tool and screwdriver bit in a straight line with the screw.

Maintenance

Your Stanley Fat Max tool has been designed to operate over a long period of time with a minimum of maintenance. Continuous satisfactory operation depends upon proper tool care and regular cleaning.

Your charger does not require any maintenance apart from regular cleaning.

Warning! Before performing any maintenance on the tool, remove the battery from the tool. Unplug the charger before cleaning it.

- ◆ Regularly clean the ventilation slots in your tool and charger using a soft brush or dry cloth.
- ◆ Regularly clean the motor housing using a damp cloth. Do not use any abrasive or solvent-based cleaner.
- ◆ Regularly open the chuck and tap it to remove any dust from the interior.

Protecting the environment



Separate collection. Products and batteries marked with this symbol must not be disposed of with normal household waste.

Products and batteries contain materials that can be recovered or recycled reducing the demand for raw materials. Please recycle electrical products and batteries according to local provisions. Further information is available at www.2helpU.com

Technical data

FMC011		
Voltage	V _{DC}	10.8
No-load speed	Min ⁻¹	0-400, 0-1500
Max. torque (PTI Rating)	Nm	26
Chuck capacity	mm	10
Max Drilling capacity Steel/Wood	mm	10/20
Weight	kg	1.0

N472239/N472243		
Input Voltage	V _{AC}	230
Output Voltage	V _{DC}	22
Current	A	1.25
Approx. charge time	min	70 (1.5AH)

FMC086L		
Voltage	V _{DC}	10.8
Capacity	Ah	1.5
Type		Li-Ion

Level of sound pressure according to EN 60745:	
Sound pressure (L _{PA})	82,0 dB(A), uncertainty (K) 3 dB(A)
Sound power (L _{WA})	93 dB(A), uncertainty (K) 3 dB(A)

Vibration total values (triax vector sum) according to EN 60745:	
Drilling into metal (a _{hD})	1,1 m/s ² , uncertainty (K) 1,5 m/s ²
Screwdriving (a _r)	0,9 m/s ² uncertainty (K) 1,5 m/s ²

EC declaration of conformity

MACHINERY DIRECTIVE



Cordless Drill/Screwdriver - FMC011

Stanley Europe declares that these products described under "technical data" are in compliance with:
2006/42/EC, EN 60745-1:2009 +A1:2010,
EN 60745-2-1:2010, EN 60745-2-2:2010

These products also comply with Directive 20014/30/EU and 2011/65/EU. For more information, please contact Stanley Europe at the following address or refer to the back of the manual.

The undersigned is responsible for compilation of the technical file and makes this declaration on behalf of Stanley Europe.



Ray Laverick
Director of Engineering
Stanley Europe, Egide Walschaertsstraat14-18,
2800 Mechelen, Belgium
16/05/2016

Guarantee

Stanley Fat Max is confident of the quality of its products and offers consumers a 12 month guarantee from the date of purchase. This guarantee is in addition to and in no way prejudices your statutory rights. The guarantee is valid within the territories of the Member States of the European Union and the European Free Trade Area.

To claim on the guarantee, the claim must be in accordance with Stanley Fat Max Terms and Conditions and you will need to submit proof of purchase to the seller or an authorised repair agent. Terms and conditions of the Stanley Fat Max 1 year guarantee and the location of your nearest authorised repair agent can be obtained on the Internet at www.2helpU.com, or by contacting your local Stanley Fat Max office at the address indicated in this manual.

Please visit our website www.blackanddecker.co.uk to register your new Stanley Fat Max product and receive updates on new products and special offers.

Сфера застосування

Ваш дріль/шурупокрут FMC011 виробництва компанії Stanley Fat Max розроблений для використання в якості викрутки та для свердління деревини, металу та пластику. Цей пристрій призначений для професійного використання, а також для приватних непрофесійних користувачів.

Інструкції з техніки безпеки

Загальні правила безпеки при роботі з електроінструментом



Увага! Прочитайте всі попередження та інструкції. Ігнорування наведених нижче попереджень та недотримання інструкцій може спричинити ураження електричним струмом, пожежу та/або серйозні травми.

Збережіть усі попередження та інструкції для використання в майбутньому.

Термін «електричний інструмент» в усіх попередженнях, перерахованих нижче, стосується використовуваних вами інструментів, що працюють від мережі енергоспоживання (з використанням електричного кабелю) або акумуляторів (без кабелю).

1. Безпека в робочій зоні

- a. **Підтримуйте чистоту робочої зони та забезпечте добре освітлення.** Безлад та недостатнє освітлення в робочій зоні збільшують імовірність нещасного випадку.
- b. **Не використовуйте електричні інструменти у вибухонебезпечній атмосфері, наприклад, у присутності займистих рідин, газів та пилю.** Електричні інструменти створюють іскри, що можуть запалити пил або випаровування.
- c. **Під час використання електроінструмента забезпечте відсутність поблизу дітей та сторонніх осіб.** Неуважність може призвести до втрати контролю.

2. Електрична безпека

- a. **Вилка електричного інструмента має відповідати розетці. Ніколи жодним чином не змінюйте вилку. Не використовуйте жодні штепсельні адаптери з електроінструментами, які мають заземлення (занулення).** Незмінені вилки та відповідні їм розетки зменшують ризик ураження електричним струмом.
- b. **Уникайте контакту тіла із заземленими поверхнями, такими як труби, радіатори, плити та холодильники.** Якщо ваше тіло заземлене, збільшується ризик ураження електричним струмом.
- c. **Не залишайте електричні інструменти під дощем**

або за умов підвищеної вологості. Вода, що потрапляє в електричний інструмент, підвищує ризик ураження електричним струмом.

- d. **Не використовуйте кабель живлення не за призначенням. Ніколи не використовуйте шнур для перенесення, витягування та відключення від розетки живлення електричного інструмента. Тримайте шнур подалі від високих температур, мастила, гострих предметів та рухомих деталей.** Пошкоджені або перекручені шнури підвищують ризик ураження електричним струмом.
 - e. **Під час експлуатації електричного інструмента на вулиці використовуйте подовжувальний шнур, призначений для використання поза приміщеннями.** Використання шнура, призначеного для використання поза приміщенням, знижує ризик ураження електричним струмом.
 - f. **Якщо неможливо уникнути використання електричного інструмента в умовах підвищеної вологості, використовуйте джерело живлення, захищене пристроєм захисного відключення (ПЗВ).** Використання ПЗВ знижує ризик ураження електричним струмом.
- ### 3. Особиста безпека
- a. **Працюючи з електричним інструментом будьте уважні та розсудливі, дивіться, що ви робите. Не користуйтеся електричним інструментом у стані втоми чи під впливом наркотичних речовин, алкоголю або ліків.** Втрата уваги при роботі з електричними інструментами може призвести до серйозних травм.
 - b. **Використовуйте особисті засоби безпеки. Завжди використовуйте засоби захисту очей.** Відповідні умовам використання засоби безпеки, такі як протипилова маска, неслизькі безпечні черевики, захисний шолом та засоби захисту слуху, зменшують імовірність особистих травм.
 - c. **Уникайте випадкового запуску. Переконайтесь у тому, що вимикач знаходиться в позиції Вимк. перед підключенням до джерела живлення та/або акумулятора, переміщенням або перенесенням пристрою.** Якщо ви переносите інструмент, тримаючи палець на вимикачі, або підключаєте живлення з перемикачем в позиції Увімк., це може призвести до нещасного випадку.
 - d. **Зніміть всі налаштувальні ключі або гайкові ключі перед вмиканням електричного інструмента.** Гайковий ключ, що залишився прикріпленим до якоїсь деталі електричного пристрою, що обертається, може призвести до травм.
 - e. **Не перенапружуйтеся. Завжди утримуйте правильну постановку ніг і рівновагу.** Це дає вам змогу краще контролювати інструмент в непередбачуваних ситуаціях.

- f. **Вдягайте відповідний одяг. Не вдягайте вільний одяг або прикраси. Тримайте ваше волосся, одяг та рукавички подалі від рухомих деталей.** Вільний одяг, прикраси або довге волосся можуть зачепитися за рухомі деталі.
- g. **Якщо передбачені пристрої для підключення до засобів видалення та збирання пилу, переконайтеся, що вони правильно підключені та використовуються.** Використання таких пристроїв зменшує ризик виникнення небезпечних ситуацій, що пов'язані з потраплянням пилу.
4. **Використання електричного інструмента та догляд за ним**
- a. **Не застосовуйте надмірні зусилля під час роботи з інструментом. Використовуйте у своїй роботі відповідний електричний інструмент.** Правильно обраний інструмент виконає завдання краще та безпечніше за умов, для яких він був розроблений.
- b. **Не використовуйте інструмент, вмикач якого не вмикає та не вимикає його.** Будь-який електричний інструмент з непрацюючим вмикачем є небезпечним і має бути відремонтований.
- c. **Відключіть вилку від джерела живлення та/або зніміть акумуляторний блок з електричного інструмента перед тим, як робити будь-які налаштування, змінювати додаткове обладнання чи зберігати електричні інструменти.** Ці профілактичні заходи зменшують ризик випадкового запуску електричного інструмента.
- d. **Зберігайте вимкнені електричні інструменти подалі від дітей та не дозволяйте використовувати електричний інструмент особам, не знайомим з електричним інструментом або цими інструкціями.** Електричні інструменти є небезпечними, якщо вони використовуються некваліфікованими користувачами.
- e. **Технічне обслуговування електричних інструментів. Перевіряйте несумісність або заїдання рухомих деталей, наявність ушкоджених частин та інших умов, що можуть впливати на роботу електричного інструмента. Якщо є ушкодження, відремонтуйте електричний інструмент перед використанням.** Багато нещасних випадків є результатом того, що інструмент не пройшов відповідного технічного обслуговування.
- f. **Тримайте різальні інструменти гострими та чистими.** Правильно доглянуті різальні інструменти з гострими різальними кромками мають меншу ймовірність заїдання, ними легше керувати.
- g. **Використовуйте електричний інструмент, приладдя та деталі інструмента тощо у відповідності до цих інструкцій, зважаючи на умови використання та роботу, яка має бути виконана.** Використання електричних інструментів

не за призначенням може призвести до виникнення небезпечних ситуацій.

5. **Використання та догляд за акумуляторним інструментом**
- a. **Заряджайте інструмент лише за допомогою зарядного пристрою, вказаного виробником.** Зарядний пристрій, що може використовуватися з одним типом акумуляторів, може призвести до пожежі, коли використовується з іншим акумулятором.
- b. **Використовуйте електричні інструменти лише зі спеціально розробленим акумулятором.** Використання інших акумуляторів може призвести до травм або пожежі.
- c. **Коли акумулятори не використовуються, зберігайте їх подалі від металевих предметів, таких як скріпки, монети, ключі, цвяхи, гвинти або інші невеликі предмети, що можуть призвести до замикання контактів.** Замикання клем акумулятора може призвести до вибуху або пожежі.
- d. **За невідповідних умов використання з батареї може витікати рідина, уникайте контакту з цією рідиною.** Якщо стався випадковий контакт, промийте відповідне місце водою. Якщо рідина потрапила в очі, необхідно звернутися до лікаря. Рідина, що витікає з батареї, може призвести до подразнень та опіків.
6. **Обслуговування**
- a. **Передавайте електричний інструмент для обслуговування кваліфікованим спеціалістам з ремонту та використовуйте тільки ідентичні замінні деталі.** Це підвищує безпеку електричного інструменту.

Додаткові правила безпеки для електричного інструмента



Увага! Додаткові попередження з техніки безпеки для дрилів та ударних інструментів

- ◆ **Використовуйте засоби захисту органів слуху при роботі з ударним дрилем.** Шум може викликати втрату слуху.
- ◆ **Використовуйте додаткові ручки, що надаються з інструментом.** Втрата контролю над інструментом може викликати травми.
- ◆ **Тримайте інструмент за ізольовану поверхню під час виконання операцій, коли кріпильний елемент може торкнутися схованої проводки.** Контакт кріпильних елементів з дротом під напругою може призвести до появи напруги в інструменті та ураження оператора електричним струмом.

- ◆ **Використовуйте струбцини або інший спосіб закріплення деталі, що оброблюється, на стійкій платформі.** Утримування заготовки в руці та притискання її до тіла робить її нестабільною та може призвести до втрати контролю.
- ◆ Цей інструмент не призначений для використання особами (включаючи дітей) із зниженими фізичними, сенсорними або розумовими можливостями або особами, яким бракує досвіду або знань за винятком випадків, коли такі особи працюють під наглядом або отримали інструкції щодо використання пристрою від особи, яка несе відповідальність за їх безпеку. Діти повинні знаходитись під контролем, щоб гарантувати, що вони не будуть грати з пристроєм.
- ◆ **Використання за призначенням описане в цьому посібнику з експлуатації.** Використання будь-якого приладдя чи додаткового обладнання, виконання будь-яких дій з інструментом, що суперечать рекомендаціям цієї інструкції, може призвести до ризику травмування людини та/або пошкодження майна.

Безпека оточення

- ◆ Цей пристрій можуть використовувати діти від 8 років та особи зі зниженими фізичними, сенсорними та розумовими можливостями або з недостатнім досвідом та знаннями, якщо за ними здійснюється нагляд або їх проінструктовано щодо використання цього пристрою безпечним чином та можливу небезпеку.
- ◆ Не дозволяйте дітям грати з пристроєм. Не дозволяйте дітям очищувати пристрій та виконувати його технічне обслуговування.

Залишкові ризики

- Під час використання інструмента можуть виникнути додаткові залишкові ризики, які не внесено до попереджень щодо техніки безпеки в цьому посібнику. Такі ризики можуть виникнути в результаті неправильного використання, тривалого використання тощо. Незважаючи на виконання всіх відповідних правил техніки безпеки та використання захисних пристроїв, неможливо уникнути деяких залишкових ризиків. До них належать:
- ◆ Травми через контакт з деталями, що рухаються/обертаються.
 - ◆ Травми при заміні деталей, пильних полотен або аксесуарів.
 - ◆ Травми через занадто тривале використання інструменту. Під час використання будь-якого інструменту протягом тривалого часу не забувайте робити регулярні перерви.
 - ◆ Порушення слуху.
 - ◆ Небезпека для здоров'я через вдихання пилу, що утворюється при використанні інструменту

(наприклад, при роботі з деревом, особливо з дубом, березою та ДВП).

Вібрація

Значення вібрації, вказані в технічних даних та в декларації про відповідність виміряні з дотриманням стандартних методів тестування, наданих у EN60745, та їх можна використовувати для порівняння одного інструменту з іншим. Задекларовані значення вібрації можна також використовувати для попередньої оцінки впливу вібрації.

Увага! Значення вібрації під час використання інструмента може відрізнятися від задекларованого в залежності від способів використання інструмента. Рівень вібрації може перевищувати вказані значення.

Оцінюючи вплив вібрації для визначення заходів безпеки за вимогами 2002/44/ЕС, щоб захистити людей, які регулярно використовують інструменти в роботі, необхідно враховувати реальні умови та способи використання інструмента, у тому числі всі періоди робочого циклу, наприклад часу, коли інструмент вимкнено та коли він знаходиться в режимі очікування, а також часу фактичної роботи пристрою.

Написи на інструменті

На інструменті нанесені наступні символи та код дати:



Увага! Щоб зменшити ризик травм, користувач повинен прочитати посібник з експлуатації.

Додаткові інструкції з техніки безпеки для батарей та зарядних пристроїв

Акумулятори

- ◆ Ніколи не намагайтесь відкривати батарею.
- ◆ Не занурюйте батарею у воду.
- ◆ Не зберігайте у місцях, де температура може перевищувати 40 °C.
- ◆ Заряджайте лише за температури навколишнього середовища між 10 °C та 40 °C.
- ◆ Заряджайте лише за допомогою зарядного пристрою, що надається з інструментом.
- ◆ При викиданні батарей виконуйте інструкції, наведені у розділі «Захист навколишнього середовища».



Не заряджайте пошкоджені батареї.

Зарядні пристрої

- ◆ Використовуйте ваш зарядний пристрій Stanley Fat Max лише для зарядки батарей того інструмента, з яким він продавався. Інші батареї можуть вибухнути, спричинивши травми та пошкодження.

- ◆ Ніколи не намагайтесь заряджати батареї, що не підлягають зарядці.
- ◆ негайно замініть пошкоджені кабелі.
- ◆ Не піддавайте зарядний пристрій впливу води.
- ◆ Не відкривайте корпус зарядного пристрою.
- ◆ Не розбирайте зарядний пристрій.



Зарядний пристрій призначений лише для використання в приміщенні.



Прочитайте інструкції цього посібника перед використанням.

Електрична безпека



Зарядний пристрій має подвійну ізоляцію, тому заземлення непотрібне. Завжди перевіряйте відповідність джерела живлення напрузі, що вказана на табличці з паспортними даними. Ніколи не намагайтесь замінити зарядний пристрій звичайним мережним штепселем.

- ◆ Якщо шнур живлення пошкоджений, його необхідно замінити у виробника або в офіційному сервісному центрі компанії Stanley Fat Max для уникнення небезпеки.

Компоненти

Цей пристрій оснащено всіма або кількома з указаних нижче компонентів.

1. Перемикач змінної швидкості
2. Перемикач вперед/назад
3. Затискний патрон
4. Муфта затискного патрона
5. Батарея
6. Світлодіодний індикатор роботи
7. Перемикач вибору швидкості

Рис. А

8. Зарядний пристрій
9. Індикатор зарядки

Збирання

Увага! Перед збиранням інструменту витягніть з нього батарею.

Установлення та знімання акумулятора (рис. В)

- ◆ Щоб установити акумулятор (5), вирівняйте його відповідно до відсіку в інструменті. Встановіть акумулятор у відсік та натисніть, щоб акумулятор став на місце.
- ◆ Щоб вийняти акумулятор, натисніть на кнопки фіксаторів (5а), одночасно виштовхуючи акумулятор з відсіку.

Встановлення та знімання свердла або викрутки-вставки

Цей інструмент оснащений патроном без ключа, що дозволяє легко замінювати насадки.

- ◆ Заблокуйте інструмент, пересуваючи перемикач вперед/назад (2) у центральне положення.
- ◆ Візьміть патрон (3) і поверніть його проти годинникової стрілки, якщо дивитися з точки зору патрону.
- ◆ Вставте хвостовик насадки у затискний патрон.
- ◆ Міцно затягніть патрон, повертаючи його за годинниковою стрілкою, якщо дивитися з точки зору патрону.

Увага! Не намагайтесь затягувати свердел (або іншу насадку), тримаючи передню частину патрона та вмикаючи інструмент.

Заміна насадок таким чином може призвести до ушкодження патрону та травм.

Використання

Увага! Інструмент повинен працювати з рекомендованою швидкістю. Не перевантажуйте його.

Встановлення батареї (рис. А)

Батарею необхідно зарядити перед першим використанням, а також коли вона не може забезпечити достатню потужність для виконання завдань, які легко виконувались раніше. Батарея може стати теплою під час зарядки: це нормально та не є показником проблеми.

Увага! Не заряджайте батарею за температури навколишнього середовища нижче 10 °C або вище 40 °C. Рекомендована температура заряджання: приблизно 24 °C.

Примітка. Зарядний пристрій не буде заряджати батарею, якщо її температура нижче 10 °C або вище 40 °C. Батарею потрібно залишити у зарядному пристрої, який почне заряджати її автоматично, коли температура батареї відповідно підніметься або знизиться.

- ◆ Для заряджання акумулятора (5) вставте його в зарядний пристрій (8). Батарею можна вставити в зарядний пристрій лише одним способом. Не прикладайте силу. Переконайтесь, що батарея вставлена в зарядний пристрій до кінця.
- ◆ Підключіть зарядний пристрій до розетки мережі живлення.

Індикатор зарядки (9) буде постійно спалахувати зеленим (повільно).

Зарядка вважається завершеною, коли індикатор зарядки (9) постійно горить зеленим. Батарею можна залишати підключеною до зарядного пристрою на необмежений час, якщо горить індикатор. Індикатор почне спалахувати

зеленим (індикація зарядки), коли зарядний пристрій час від часу почне доповнювати заряд акумулятора. Індикатор зарядки (9) буде горіти, поки батарея підключена до зарядного пристрою, підключеного до розетки.

- ◆ Не зберігайте розряджені батареї більше 1 тижня. Термін служби батареї значно зменшується, якщо вона зберігається у незарядженому стані.

Залишення батареї в зарядному пристрої

Батареї можна залишити в зарядному пристрої на необмежений час з індикатором, який працює. Зарядний пристрій буде підтримувати батарею у повністю зарядженому стані.

Діагностика зарядного пристрою

Якщо зарядний пристрій виявляє слабку або пошкоджену батарею, індикатор заряджання (9) буде часто блимати червоним. Виконайте описані далі дії.

- ◆ Витягніть та вставте батарею знов (5).
- ◆ Якщо індикатор заряджання продовжує швидко блимати червоним, візьміть інший акумулятор, щоб перевірити, чи правильно відбувається процес заряджання.
- ◆ Якщо інший акумулятор заряджається правильно, це означає, що оригінальний акумулятор пошкоджений, і його потрібно повернути до сервісного центру на переробку.
- ◆ Якщо новий акумулятор поводить себе так само, як і оригінальний, віднесіть зарядний пристрій на перевірку в один з авторизованих сервісних центрів.

Примітка. Потрібно до 60 хвилин, щоб визначити, що батарея пошкоджена. Якщо батарея занадто гаряча або холодна, індикатор буде по черговому миготіти швидко та повільно червоним (одне миготіння з кожною швидкістю, а потім повтор).

Вибір напрямку обертання (рис. С)

Для затягування використовуйте обертання вперед (за годинниковою стрілкою). Для викручування шурупів використовуйте зворотне (проти годинникової стрілки) обертання.

- ◆ Щоб обрати обертання вперед, перемістіть перемикач вперед/назад (2) вліво.
- ◆ Щоб обрати обертання назад, змістіть перемикач вперед/назад вправо.
- ◆ Щоб заблокувати інструмент, пересуньте реверсивний перемикач у центральне положення.

Вибір крутного моменту (рис. Е)

Цей інструмент оснащений налаштувальним кільцем, яке дозволяє встановити крутий момент для різних задач використання інструменту в якості викрутки та дреля. Великі гвинти та тверді матеріали вимагають більшого

крутного моменту, ніж малі гвинти та м'які матеріали. Інформацію щодо значень символів можна знайти у списку нижче.

- ◆ Для свердління деревини, металу та пластику, встановіть налаштувальне кільце крутного моменту (4) на символ **1**.
- ◆ Для використання в якості викрутки встановіть кільце у бажане положення. Якщо ви не знаєте точно, в яке положення потрібно його встановити, виконайте наступні дії.
 - ◆ Встановіть налаштувальне кільце крутного моменту (4) на найнижче значення крутного моменту.
 - ◆ Затягніть перший гвинт.
 - ◆ Якщо муфта зупиниться до досягнення бажаного результату, збільшіть значення кільця та продовжуйте затягування гвинта. Повторіть до встановлення бажаного положення кільця. Використовуйте це положення для інших гвинтів.

Перемикач швидкостей (рис. D)

- ◆ Для свердління металу і застосування в якості викрутки пересуньте перемикач вибору швидкості (7) до задньої частини інструменту (1-а швидкість).
- ◆ Для свердління інших матеріалів, крім металу, пересуньте перемикач вибору швидкості (7) до передньої частини інструменту (2-а швидкість).

Свердління/використання шурупокрута

- ◆ Виберіть напрямок руху вперед чи назад, використовуючи реверсивний перемикач (2).
- ◆ Для ввімкнення інструменту натисніть перемикач (1). Швидкість інструменту залежить від того, наскільки сильно ви натиснете на вмикач.
- ◆ Щоб вимкнути інструмент, відпустіть перемикач.

Світлодіодний індикатор роботи

Світлодіодний індикатор роботи (6) активується автоматично при натисненні на тригерний перемикач. Світлодіодний індикатор роботи загориться, коли перемикач частково натиснений перед запуском інструменту.

Підказки для оптимального використання

Свердління

- ◆ Завжди дещо натискайте на інструмент, спрямовуючи силу по прямій лінії зі свердлом.
- ◆ Безпосередньо перед тим, як кінець свердла з'явиться з іншої сторони заготовки, зменшіть тиск на інструмент.
- ◆ Використовуйте дерев'яну планку для захисту заготовки, яка може розколотися.
- ◆ Використовуйте долотчасті насадки при свердлінні отворів великих діаметрів у дереві.

- ◆ Використовуйте свердла з високоміцної сталі при свердлінні металу.
- ◆ Використовуйте свердла для кладки при свердлінні м'якої цегляної кладки.
- ◆ Використовуйте мастило при свердлінні металу, за винятком чавуну та латуні.
- ◆ Зробіть помітку, використовуючи кернер, біля центру отвору, що буде просвердлений, щоб поліпшити точність.

Використання шурупокрута

- ◆ Завжди використовуйте правильний тип та розмір викрутки-вставки.
- ◆ Якщо гвинти важко затягуються, спробуйте застосувати невелику кількість миючої рідини чи мила в якості мастила.
- ◆ Завжди тримайте інструмент та викрутку-вставку по прямій лінії з гвинтом.

Технічне обслуговування

Ваш пристрій виробництва компанії Stanley Fat Max призначений для роботи протягом довгого часу з мінімальним обслуговуванням. Тривала задовільна робота приладу залежить від належного обслуговування приладу та регулярного його очищення.

Зарядний пристрій не вимагає технічного обслуговування, потрібно лише виконувати регулярне очищення.

Увага! Перед проведенням будь-яких робіт по технічному обслуговуванню необхідно видалити батарею з інструмента. Витягніть зарядний пристрій з розетки перед очищенням.

- ◆ Регулярно очищуйте вентиляційні отвори інструмента та зарядного пристрою, використовуючи м'яку щітку або суху ганчірку.
- ◆ Регулярно очищуйте корпус мотору, використовуючи вологу ганчірку. Не використовуйте абразивні очищувачі та засоби, що містять розчинники.
- ◆ Регулярно відкривайте затискний патрон та струшуйте його, щоб видалити пил з середини.

Захист навколишнього середовища



Роздільний збір. Пристрої та батареї, позначені цим символом, не можна викидати зі звичайним побутовим сміттям.

Пристрої та батареї містять матеріали, які можна відновити та переробити, що зменшить потребу у сировині.

Будь ласка, віддавайте електричні інструменти та батареї на переробку відповідно до місцевих постанов. Більш детальну інформацію можна отримати на сайті www.2helpU.com.

Технічні дані

FMC011		
Напруга	V _{DC}	10,8
Швидкість без навантаження	Xв ⁻¹	0-400, 0-1500
Макс. крутний момент (Значення РТІ)	Нм	26
Найбільший діаметр свердла, що затискається в патроні	мм	10
Макс. глибина свердління металу/деревини	мм	10/20
Маса	кг	1,0

Зарядний пристрій N472239/N472243		
Вхідна напруга	V _{AC}	230
Вихідна напруга	V _{DC}	22
Струм	A	1,25
Приблизний час першого зарядження	хв.	70 (1,5 А-год.)

Акумулятор FMC086L		
Напруга	V _{DC}	10,8
Ємність	Ампер-годин	1,5
Тип		Літій-іонний

Рівень звукового тиску згідно з EN 60745:	
Звуковий тиск (L _{рА})	82,0 дБ(А), похибка (К) 3 дБ(А)
Звукова потужність (L _{WA})	93 дБ(А), похибка (К) 3 дБ(А)

Загальні значення вібрації (векторна сума трьох векторів) згідно з EN 60745:	
Свердління металу (a _{h,D})	1,1 м/с ² , похибка (К) 1,5 м/с ²
Закручування шурупів (a _п)	0,9 м/с ² похибка (К) 1,5 м/с ²

Декларація про відповідність нормам ЄС

ДИРЕКТИВА ДЛЯ МЕХАНІЧНОГО ОБЛАДНАННЯ



Бездротовий дріль/шурупокрут - FMC011

Компанія Stanley Europe заявляє, що продукти, описані у розділі «Технічні дані» відповідають вимогам:

2006/42/EC, EN 60745-1:2009 +A1:2010,
EN 60745-2-1:2010, EN 60745-2-2:2010

Ці продукти також відповідають вимогам Директив 20014/30/EU і 2011/65/EU. Для отримання додаткової інформації, будь ласка, зверніться до компанії Stanley Europe за наведеною нижче адресою або прочитайте інформацію на зворотному боці цього посібника.

Особа, яка підписалася нижче, несе відповідальність за упорядкування файлу технічних характеристик та робить цю заяву від компанії Stanley Europe.



Рей Лаверік (Ray Laverick)
Технічний директор
Stanley Europe, Egide Walschaertsstraat14-18,
2800 Mechelen, Бельгія
16.05.2016

Гарантія

Компанія Stanley Fat Max впевнена в якості своєї продукції та пропонує споживачам гарантію тривалістю 12 місяці з дати покупки. Ця гарантія доповнює і жодним чином не обмежує ваші законні права. Ця гарантія є чинною на території країн-членів Європейського Союзу та в європейській зоні вільної торгівлі.

Позив за гарантією повинен відповідати умовам компанії Stanley Fat Max, при цьому вам необхідно буде надати доказ покупки продавцю або спеціалісту офіційного сервісного центру. Умови 1-річної гарантії компанії Stanley Fat Max та місцезнаходження найближчого сервісного центру можна дізнатися в інтернеті на сайті **www.2helpU.com** або звернутися до місцевого представництва компанії Stanley Fat Max за адресою, вказаною у цьому керівництві.

Будь ласка, відвідайте наш сайт **www.stanley.eu/3**, щоб зареєструвати свій новий продукт Stanley Fat Max та отримувати інформацію про нові продукти та спеціальні пропозиції.



Виробник:
"Stanley Black & Decker Deutschland
GmbH" Black-&-Decker Str.40, D-65510
Idstein, Німеччина

1. Вітаємо Вас з покупкою високоякісного виробу Stanley FATMAX і висловлюємо вдячність за Ваш вибір.
2. При покупці виробу вимагайте перевірки його комплектності і справності у Вашій присутності, інструкцію з експлуатації та заповнений гарантійний талон українською мовою. В гарантійному талоні повинні бути внесені: модель, дата продажу, серійний номер, дата виробництва інструменту; назва, печатка і підпис торгової організації. За відсутності у Вас правильно заповненого гарантійного талону, а також при невідповідності зазначених у ньому даних ми будемо змушені відхилити Ваші претензії щодо якості даного виробу.
3. Щоб уникнути непорозумінь, переконливо просимо Вас перед початком роботи з виробом уважно ознайомитися з інструкцією з його експлуатації. Правовою основою справжніх гарантійних умов є чинне Законодавство. Гарантійний термін на даний виріб складає 36 місяці і обчислюється з дня продажу. У разі усунення недоліків виробу, гарантійний строк продовжується на період його перебування в ремонті. Термін служби виробу становить 5 років з дня продажу.
4. У разі виникнення будь-яких проблем у процесі експлуатації виробу рекомендуємо Вам звертатися тільки в уповноважені сервісні центри Stanley FATMAX, адреси та телефони яких Ви зможете знайти в гарантійному талоні, на сайті www.2helpU.com або дізнатися в магазині. Наші сервісні станції - це не тільки кваліфікований ремонт, але і широкий асортимент запчастин і аксесуарів.
5. Виробник рекомендує проводити періодичну перевірку і технічне обслуговування виробу в уповноважених сервісних центрах.
6. Наші гарантійні зобов'язання поширюються тільки на несправності, виявлені протягом гарантійного терміну і викликані дефектами виробництва та \ або матеріалів.
7. Гарантійні умови не поширюються на несправності виробу, що виникли в результаті:
 - 7.1. Недотримання користувачем приписів інструкції з експлуатації виробу, застосування виробу не за призначенням, неправильного зберігання, використання приладдя, витратних матеріалів і запчастин, що не передбачені виробником.
 - 7.2. Механічного пошкодження (відколи, тріщини і руйнування) внутрішніх і зовнішніх деталей виробу, основних і допоміжних рукояток, мережевого кабелю, що викликані зовнішнім ударним або будь-яким іншим впливом
 - 7.3. Потраплення у вентиляційні отвори та проникнення всередину виробу сторонніх предметів, матеріалів або речовин, що не є відходами, які супроводжують застосування виробу за призначенням, такими як: стружка, тирса, пісок, та ін.
 - 7.4. Впливу на виріб несприятливих атмосферних і інших зовнішніх факторів, таких як дощ, сніг, підвищена вологість, нагрівання, агресивні середовища, невідповідність параметрів електромережі, що зазначені на інструменті.
 - 7.5. Стихійного лиха. Пошкодження або втрати виробу, що пов'язані з непередбаченими лихами, стихійними явищами, у тому числі внаслідок дії непереборної сили (пожежа, блискавка, потоп і інші природні явища), а також внаслідок перепадів напруги в електромережі та іншими причинами, які знаходяться поза контролем виробника.
8. Гарантійні умови не поширюються:
 - 8.1. На інструменти, що піддавались розкриттю, ремонту або модифікації поза уповноваженим сервісним центром.
 - 8.2. На деталі, вузли та матеріали, що мають сліди природного зносу, такі як: приводні ремені і колеса, вугільні щітки, мастило, підшипники, зубчасті зчеплення редукторів, гумові ущільнення, сальники, направляючі ролики, муфти, вимикачі, бойки, штовхачі, стволи тощо.
 - 8.3. На змінні частини: патрони, цанги, затискні гайки і фланці, фільтри, ножі, шліфувальні підшви, ланцюги, зірочки, пильні шини, захисні кожухи, пилки, абразиви, пильні і абразивні диски, фрези, свердла, бури тощо
 - 8.4. На несправності, що виникли в результаті перевантаження інструменту (як механічного, так і електричного), що спричинили вихід з ладу одночасно двох і більше деталей і вузлів, таких як: ротора і статора, обох обмоток статора, веденої і ведучої шестерень редуктора або інших вузлів і деталей. До безумовних ознак перевантаження виробу відносяться, крім інших: поява кольорів мінливості, деформація або оплавлення деталей і вузлів виробу, потемніння або обвуглювання ізоляції проводів електродвигуна під впливом високої температури.

Товар отриманий в справному стані, без видимих ушкоджень, в повній комплектації, перевірений у моїй присутності, претензій щодо якості товару не маю. З умовами гарантійного обслуговування ознайомлений і згоден.

П. І. Б. та підпис власника _____

Шановні клієнти, наша мережа авторизованих сервісних центрів постійно розширюється. Актуальну інформацію про обслуговування в місті, що цікавить вас, ви можете дізнатися на сайті

www.2helpU.com

Інформація про інструмент

Найменування інструменту	
Модель	
Найменування продавця	
Дата продажу	

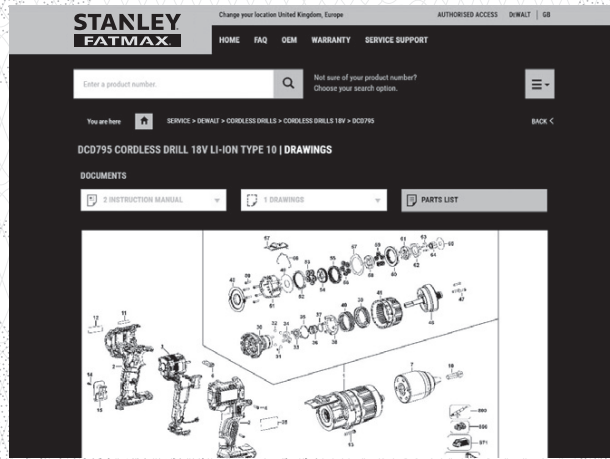
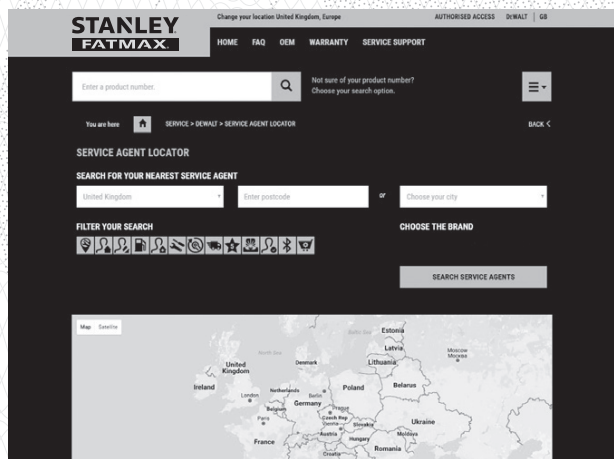
М.П.
Продавця

Серійний номер/Дата виробництва

Інструмент	
Зарядний пристрій	
Акумулятор 1	
Акумулятор 2	

На сайті www.2helpU.com доступні наступні функції:

- Список авторизованих сервісних центрів
- Зручний пошук найближчого сервісного центру
- Керівництво з експлуатації
- Технічні характеристики
- Список деталей і запасних частин
- Схема складання інструменту



**Також дану інформацію ви можете отримати, зателефонувавши за номером:
0 (800) 211 521 в Україні**

ВІДМІТКА ПРО ПРОВЕДЕННЯ СЕРВІСНОГО ОБСЛУГОВУВАННЯ

№1	№2	№3	№4
№ замовлення	№ замовлення	№ замовлення	№ замовлення
Дата прийому	Дата прийому	Дата прийому	Дата прийому
Дата ремонту	Дата ремонту	Дата ремонту	Дата ремонту
Печатка і підпис сервісного центру	Печатка і підпис сервісного центру	Печатка і підпис сервісного центру	Печатка і підпис сервісного центру