

GENERGY

GZE-1210



2014/30/EU (EN55032:2015/A11:2020-EN55035:2017/A11:2020-EN IEC 61000-3-2:2019-EN61000-3-3:2013+A1:2019)
EMC 2014/35/EU (EN62368-1:2014+A11:2017) LVD 2011/65/EU RoHS UN38.3

FICHA TÉCNICA - TECHNICAL DATA SHEET





	MODELO	GZE-1210
	Capacidad / Capacity	1228Wh
	Tipo de batería / Battery Type	LiFePO4
	Ciclo de vida de batería / Battery Lifecycle	2000 (>80%)
SALIDAS/OUTPUT	Salida 230V / 230V output	1000W
	Pico 230V / 230V output	1500W
	Salida energía / Power Output	Pure sine wave
	SCHUKO 230V	4
	USB-C 1000W	2
	USB-C 30W	0
	USB-QC 3.0 18W	4
	Puerto coche / Car ports	13.6V/8A
	Salida CC / DC output	2x13.6V/8A (DC5521)
	Puertos totales / Total No Ports	13
ENTRADAS/ INPUT	Entrada 230V / 230V Input	1000W
	Tiempo de carga completa / Full charging time	1.5h
	Entrada CC / DC Input	200W (DC5521)
	Entrada panel solar / Input solar panel	XT60-12/30V 10A
	Control panel solar / Panel solar controller	MPPT
	Panel solar compatible / Recommended solar panel	1SET: GZE200W
	Tiempo de carga desde panel / Panel solar charging time	10-15h
	Carga-salida simultanea / Simultaneous Charging-Output	OK
	Medidas / Size	350x220x310mm
	Peso (Weight	15.8kg
	Accesorios / Accessories	Cables carga – Manual / Charging line - Manual
	Referencia / Reference	31510

DESTACADO / HIGHLIGHT

Carga ultrarrápida en 90 minutos.

Batería **LifePO4** de última generación, 2000 ciclos (+80%).

BMS: Sistema inteligente para la gestión de la batería.

MPPT: Seguidor de punto de máxima potencia, mayor rendimiento de carga desde paneles solares.

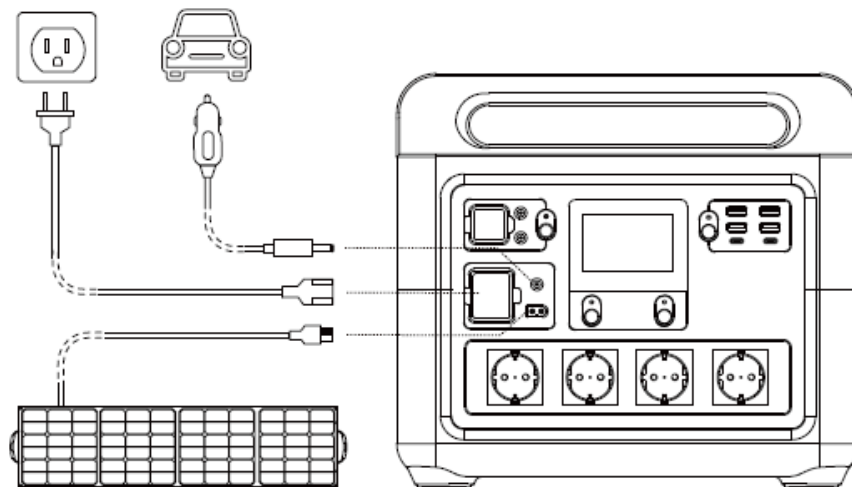
Ultra-fast charging in 90 minutes.

Latest generation **LifePO4** battery, 2000 cycles (+80%).

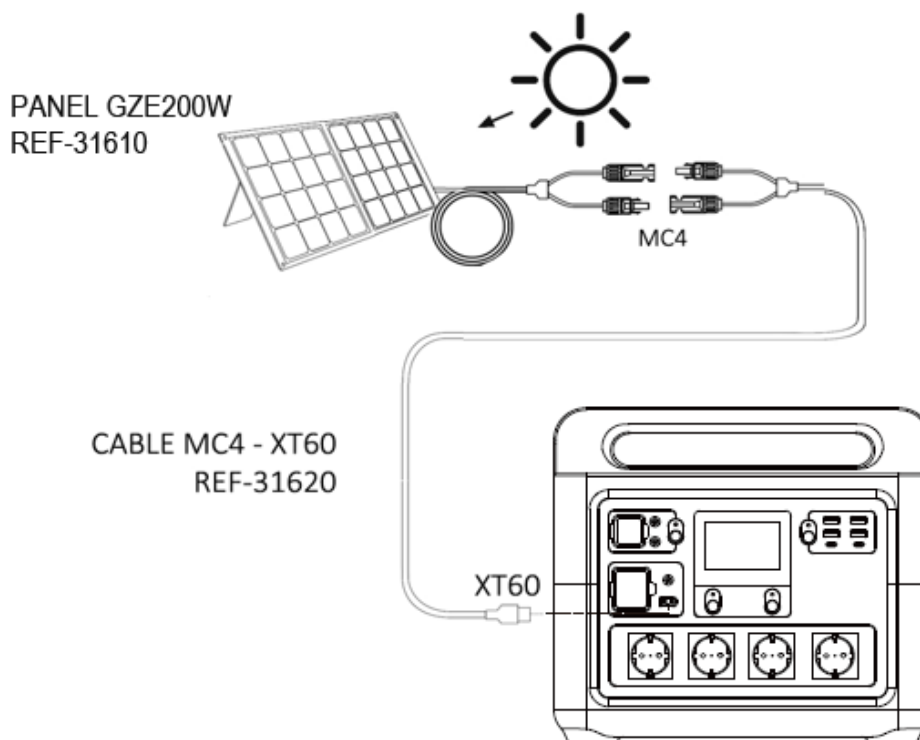
BMS: Intelligent system for battery management.

MPPT: Maximum Power Point Tracker, higher charging performance from solar panels.

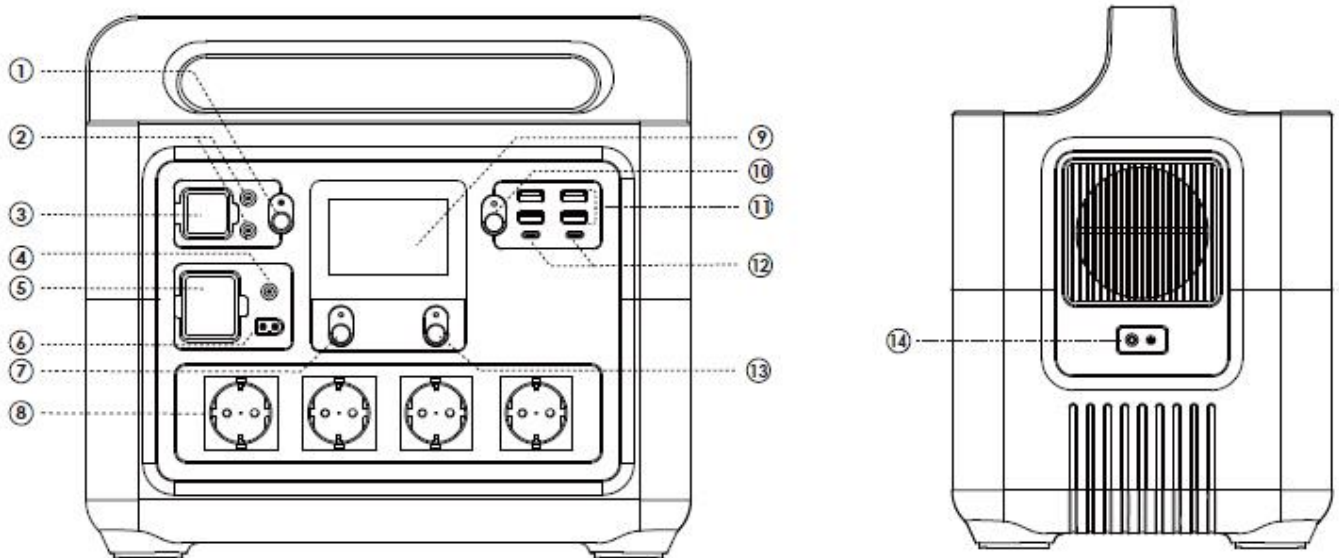
FORMAS DE CARGA / CHARGING METHODS



CONEXION PANEL SOLAR / SOLAR PANEL CONECTION



COMPONENTES / COMPONENTS



ESPAÑOL

- 1- Botón CC (DC) ON/OFF
- 2- Puerto de salida CC (DC)
- 3- Toma de mechero
- 4- Puerto de entrada CC (DC)
- 5- Puerto de entrada CA (AC)
- 6- Puerto de entrada panel solar
- 7- Botón CA (AC) ON/OFF

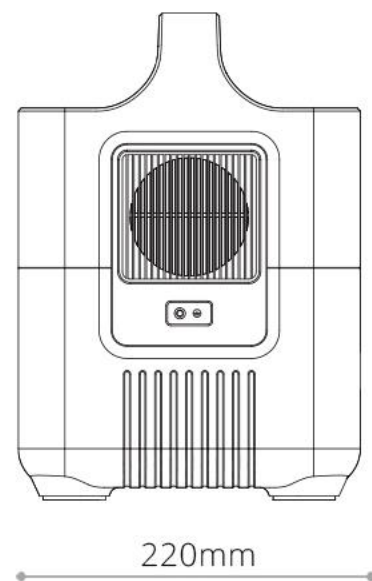
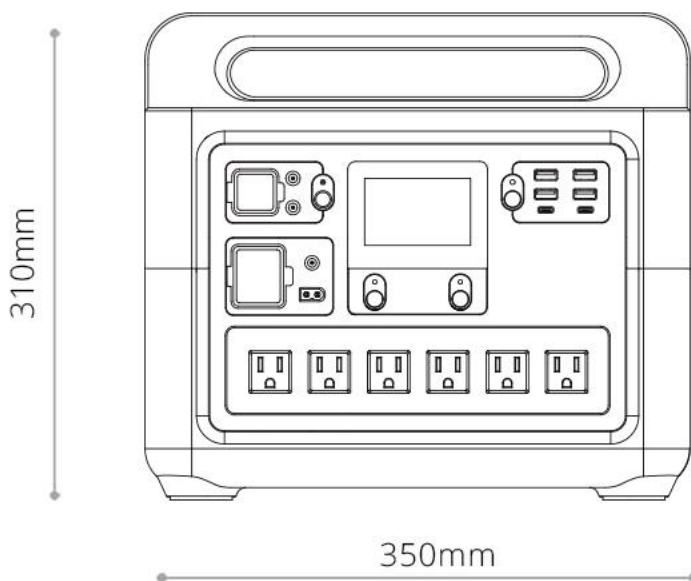
- 8- Puertos de salida CA (AC)
- 9- Pantalla LCD
- 10- Botón USB ON/OFF
- 11- Puertos de salida QC3.0 USB-A
- 12- Puertos de salida PD100W USB-C
- 13- Botón encendido general ON/OFF
- 14- Conexión de tierra

INGLES

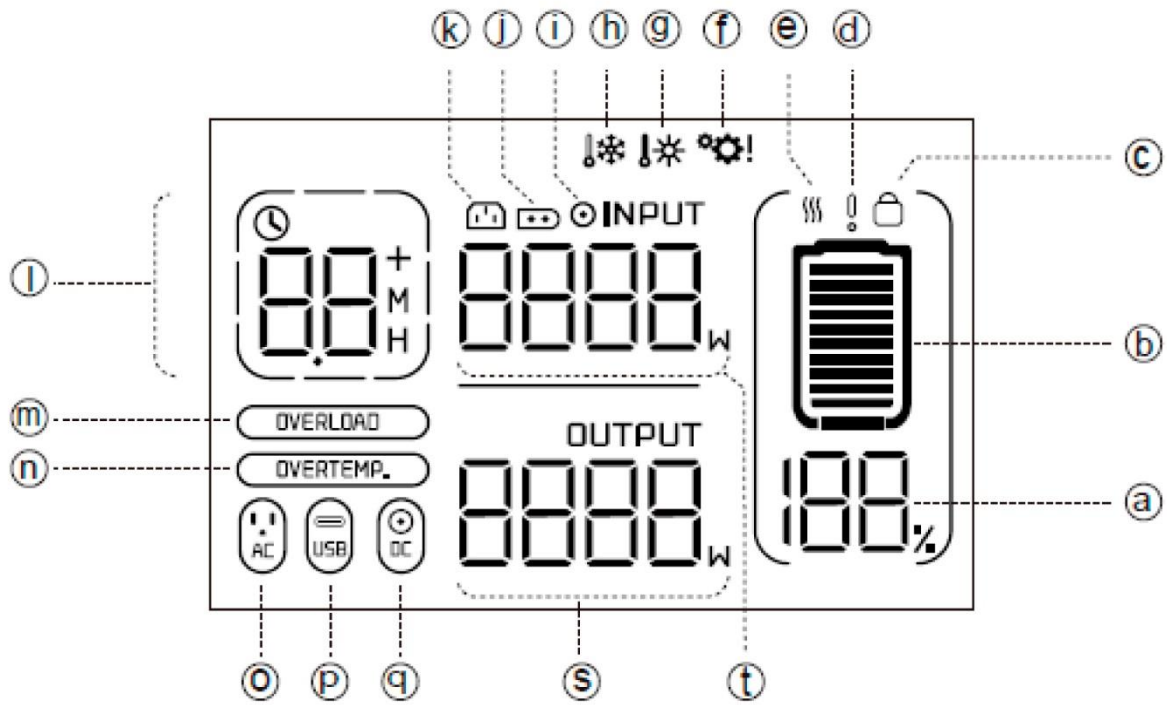
- 1- DC ON/OFF Switch
- 2- DC Output port
- 3- Car cigarette lighter socket
- 4- DC Input port
- 5- AC Input port
- 6- Solar panel input port
- 7- AC ON/OFF Switch

- 8- AC Output ports
- 9- LCD Display
- 10- USB ON/OFF Switch
- 11- QC3.0 USB-A Output Ports
- 12- PD100W USB-C Output Ports
- 13- Main power button ON/OFF
- 14- Ground cable connection

DIMENSIONES / SIZE



PANEL CONTROL / CONTROL PANEL



Battery information indication	a		Battery power level %	d		Battery failure warning
	b		Battery power level	e		Battery high/low temperature indication
	c		Battery protection			
Input indication	k		AC Input	l		DC Input
	j		Solar panel input	t		Input power indication
Output indication	o		AC Output	q		DC Car output
	p		USB-A/USB-C Output	s		Output power indication
Remaining time indication	l		Remaining discharge /full charge time indicator	l	M	Minutes
				l	H	Hours
Protection indication	f		System failure indication	m	OVERLOAD	Overload protection indication
	g		Over temperature indication	n	OVERTEMP.	Over temperature protection indication
	h		Low temperature indication			



STOCK GARDEN GROUP
 Calahorra 26500 (La Rioja)
 Tel: 941152733 - Fax: 941152750
 Website: www.genergy.es
 Contacto: info@sg-group.es