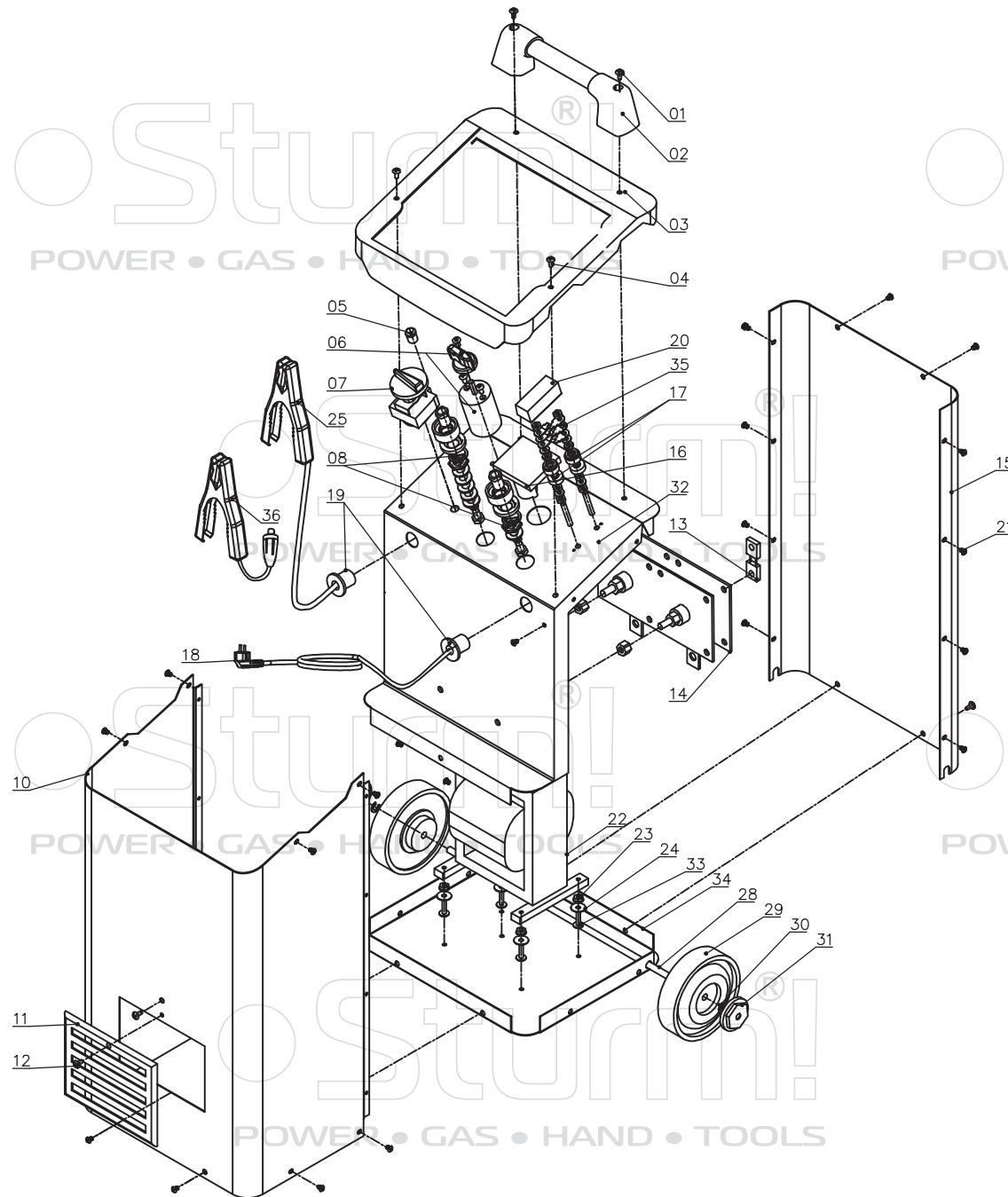


## BC8060



| NO. | DESCRIPTION                        |
|-----|------------------------------------|
| 1   | HANDLE FASTENING SCREW             |
| 2   | HANDLE                             |
| 3   | PLASTIC PANEL                      |
| 4   | PLASTIC PANEL FASTENING SCREW      |
| 5   | OVERHEAT PROTECTION LED            |
| 6   | MODE REGULATION SWITCH             |
| 7   | TIMING SWITCH                      |
| 8   | EURO CONNECTOR                     |
| 10  | FRONT METAL PANEL                  |
| 11  | VENTILATION WINDOW                 |
| 12  | VENTILATION WINDOW FASTENING SCREW |
| 13  | SHUNT                              |
| 14  | RECTIFIER BRIDGE                   |
| 15  | BACK METAL PANEL                   |
| 16  | AMPEREMETER                        |
| 17  | 333 TERMINAL SET                   |
| 18  | POWER CABLE                        |
| 19  | CABLE FASTENER                     |
| 20  | PLASTIC PROTECTION COVER           |
| 21  | FASTENING SCREW FOR METAL PIECE    |
| 22  | MAIN TRANSFORMER                   |
| 23  | FLANGE NUT                         |
| 24  | FLAT WASHER                        |
| 25  | NEGATIVE CHARGING CLAMP SET        |
| 28  | WHEEL AXLE                         |
| 29  | WHEEL                              |
| 30  | CIRCLIP                            |
| 31  | WHEEL PLASTIC COVER                |
| 32  | TOP METAL PANEL                    |
| 33  | MAIN TRANSFORMER FASTENING SCREW   |
| 34  | BOTTOM METAL PANEL                 |
| 35  | FUSE                               |
| 36  | POSITIVE CHARGING CLAMP SET        |