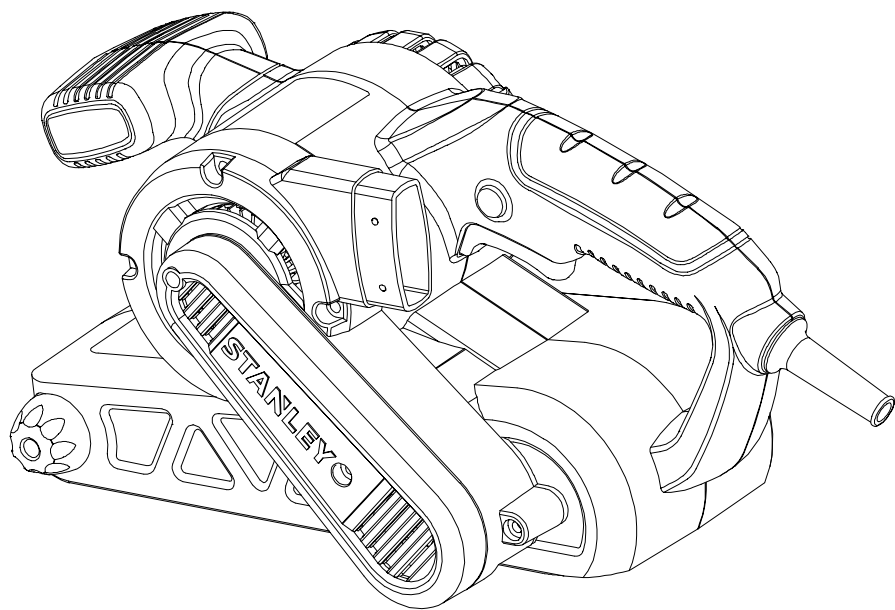


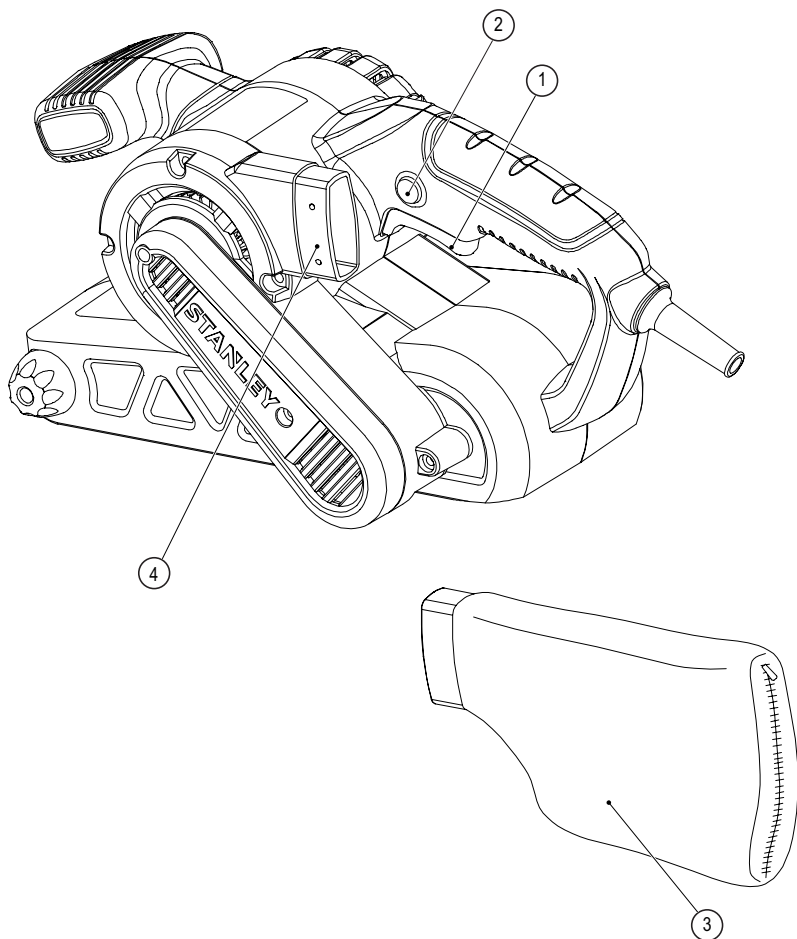
STANLEY®

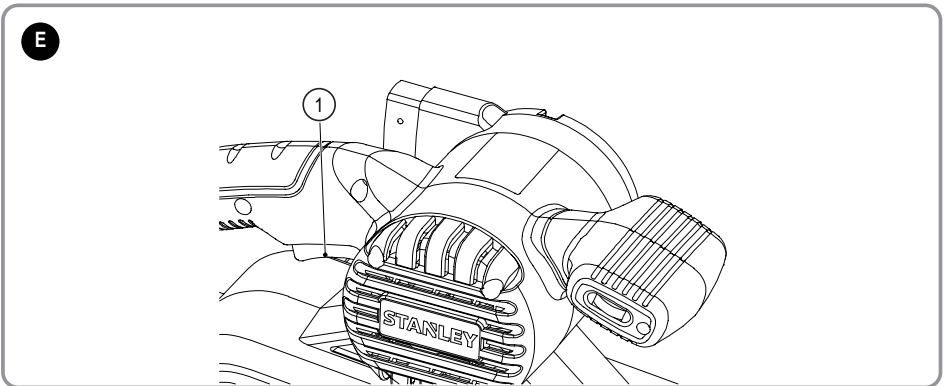
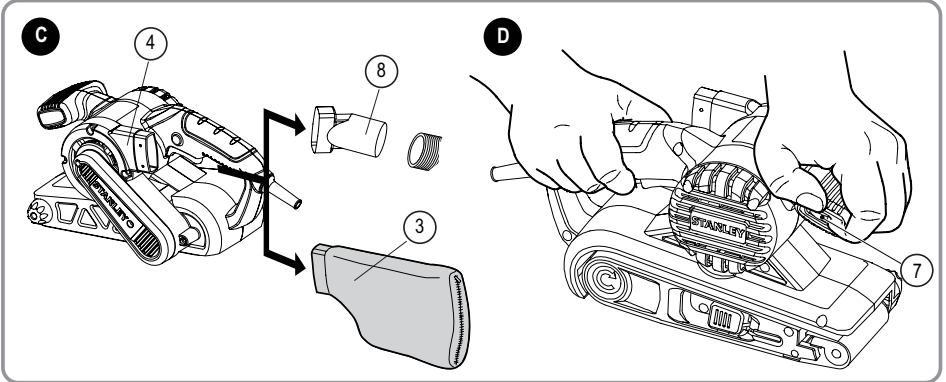
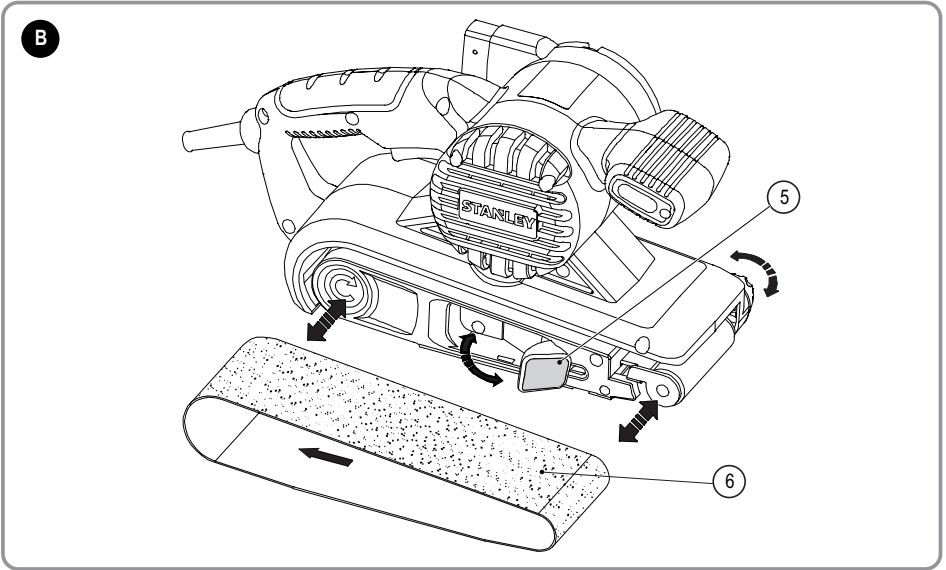


SB90

English	Page	04
French	Page	10
Russian	Page	16
Ukrainian	Page	24
Turkish	Page	31
العربية	Page	44

A





INTENDED USE

Your STANLEY Belt Sander SB90 has been designed for sanding wood, metal, plastics and painted surfaces. This tool is intended for professional use.

SAFETY INSTRUCTIONS

The definitions below describe the level of severity for each signal word. Please read the manual and pay attention to these symbols.



DANGER: Indicates an imminently hazardous situation which, if not avoided, **will result in death or serious injury.**



WARNING: Indicates a potentially hazardous situation which, if not avoided, **could result in death or serious injury.**



CAUTION: Indicates a potentially hazardous situation which, if not avoided, **may result in minor or moderate injury.**

NOTICE: Indicates a practice not related to personal injury which, if not avoided, **may result in property damage.**



Denotes risk of electric shock.



Denotes risk of fire.



Warning: To reduce the risk of injury, read the instruction manual.

General power tool safety warnings



WARNING! Read all safety warnings, instructions, illustrations and specifications provided with this power tool. Failure to follow all instructions listed below may result in electric shock, fire and/or serious injury.

Save all warnings and instructions for future reference.

The term "power tool" in the warnings refers to your mains-operated (corded) power tool or battery-operated (cordless) power tool.

1. Work area safety

- Keep work area clean and well lit.** Cluttered or dark areas invite accidents.
- Do not operate power tools in explosive atmospheres, such as in the presence of flammable liquids, gases or dust.** Power tools create sparks which may ignite the dust or fumes.
- Keep children and bystanders away while operating a power tool.** Distractions can cause you to lose control.

2. Electrical safety

- Power tool plugs must match the outlet. Never modify the plug in any way. Do not use any adapter plugs with earthed (grounded) power tools.** Unmodified plugs and matching outlets will reduce risk of electric shock.
- Avoid body contact with earthed or grounded surfaces such as pipes, radiators, ranges and**

refrigerators. There is an increased risk of electric shock if your body is earthed or grounded.

- Do not expose power tools to rain or wet conditions.** Water entering a power tool will increase the risk of electric shock.
- Do not abuse the cord. Never use the cord for carrying, pulling or unplugging the power tool. Keep cord away from heat, oil, sharp edges or moving parts.** Damaged or entangled cords increase the risk of electric shock.
- When operating a power tool outdoors, use an extension cord suitable for outdoor use.** Use of a cord suitable for outdoor use reduces the risk of electric shock.
- If operating a power tool in a damp location is unavoidable, use a residual current device (RCD) protected supply.** Use of an RCD reduces the risk of electric shock.

3. Personal safety

- Stay alert, watch what you are doing and use common sense when operating a power tool. Do not use a power tool while you are tired or under the influence of drugs, alcohol or medication.** A moment of inattention while operating power tools may result in serious personal injury.
 - Use personal protective equipment. Always wear eye protection.** Protective equipment such as a dust mask, non-skid safety shoes, hard hat, or hearing protection used for appropriate conditions will reduce personal injuries.
 - Prevent unintentional starting. Ensure the switch is in the off-position before connecting to power source and/or battery pack, picking up or carrying the tool.** Carrying power tools with your finger on the switch or energising power tools that have the switch on invites accidents.
 - Remove any adjusting key or wrench before turning the power tool on.** A wrench or a key left attached to a rotating part of the power tool may result in personal injury.
 - Do not overreach. Keep proper footing and balance at all times.** This enables better control of the power tool in unexpected situations.
 - Dress properly. Do not wear loose clothing or jewellery. Keep your hair and clothing away from moving parts.** Loose clothes, jewellery or long hair can be caught in moving parts.
 - If devices are provided for the connection of dust extraction and collection facilities, ensure these are connected and properly used.** Use of dust collection can reduce dust-related hazards.
 - Do not let familiarity gained from frequent use of tools allow you to become complacent and ignore tool safety principles.** A careless action can cause severe injury within a fraction of a second.
- #### 4. Power tool use and care
- Do not force the power tool. Use the correct power tool for your application.** The correct power tool will do the job better and safer at the rate for which it was designed.

- b. **Do not use the power tool if the switch does not turn it on and off.** Any power tool that cannot be controlled with the switch is dangerous and must be repaired.
- c. **Disconnect the plug from the power source and/ or remove the battery pack, if detachable from the power tool before making any adjustments, changing accessories, or storing power tools.** Such preventive safety measures reduce the risk of starting the power tool accidentally.
- d. **Store idle power tools out of the reach of children and do not allow persons unfamiliar with the power tool or these instructions to operate the power tool.** Power tools are dangerous in the hands of untrained users.
- e. **Maintain power tools and accessories. Check for misalignment or binding of moving parts, breakage of parts and any other condition that may affect the power tools operation. If damaged, have the power tool repaired before use.** Many accidents are caused by poorly maintained power tools.
- f. **Keep cutting tools sharp and clean.** Properly maintained cutting tools with sharp cutting edges are less likely to bind and are easier to control.
- g. **Use the power tool, accessories and tool bits etc. in accordance with these instructions, taking into account the working conditions and the work to be performed.** Use of the power tool for operations different from those intended could result in a hazardous situation.
- h. **Keep handles and grasping surfaces dry, clean and free from oil and grease.** Slippery handles and grasping surfaces do not allow for safe handling and control of the tool in unexpected situations.

5. Service

- a. **Have your power tool serviced by a qualified repair person using only identical replacement parts.** This will ensure that the safety of the power tool is maintained

ADDITIONAL SPECIFIC SAFETY RULES

Safety instructions for belt sander

- **Hold the power tools by insulated gripping surfaces, because the sanding surface may contact its own cord.** Cutting a "live" wire may make exposed metal parts of the power tool "live" and could give the operator an electric shock..
- **Use clamps or another practical way to secure and support the workpiece to a stable platform.** Holding the work by hand or against your body leaves it unstable and may lead to loss of control.
- **Warning!** Contact with or inhalation of dust arising from sanding applications may endanger the health of the operator and possible bystanders. Wear a dust mask specifically designed for protection against dust and fumes and ensure that persons within or entering the work area are also protected.
- Thoroughly remove all dust after sanding.
- Take special care when sanding paint which is possibly lead based or when sanding some woods and metal which may produce toxic dust:

- Do not let children or pregnant women enter the work area.
- Do not eat, drink or smoke in the work area.
- Dispose of dust particles and any other debris safely.

The intended use is described in this instruction manual. The use of any accessory or attachment or performance of any operation with this tool other than those recommended in this instruction manual may present a risk of personal injury and/or damage to property.

Additional safety information



WARNING: We recommend the use of a residual current device with a residual current rating of 30mA or less.

SAFETY OF OTHERS

- This tool is not intended for use by persons (including children) with reduced physical, sensory or mental capabilities, or lack of experience and knowledge, unless they have been given supervision or instruction concerning use of the tool by a person responsible for their safety.
- Children should be supervised to ensure that they do not play with the appliance.

RESIDUAL RISKS

In spite of the application of the relevant safety regulations and the implementation of safety devices, certain residual risks cannot be avoided. These are:

- Impairment of hearing
- Risk of personal injury due flying particles.
- Risk of burns due to accessories becoming hot during operation.
- Risk of personal injury due to prolonged use.
- Risk of dust from hazardous substances.

ELECTRICAL SAFETY



Your tool is double insulated; therefore no earth wire is required. Always check that the main voltage corresponds to the voltage on the rating plate.



WARNING! If the power cord is damaged, it must be replaced by the manufacturer, authorized STANLEY Service Center or an equally qualified person in order to avoid damage or injury. If the power cord is replaced by an equally qualified person, but not authorized by STANLEY, the warranty will not be valid.

USING AN EXTENSION CABLE

If an extension cable is required, use an approved 3-core extension cable suitable for the power input of this tool (see Technical Data). The minimum conductor size is 1.5 mm²; the maximum length is 30 m. When using a cable reel, always unwind the cable completely.










Cable cross-sectional area (mm ²) Cable rated current (Ampere)	Cable cross-sectional area (mm ²) Cable rated current (Ampere)
0.75	6
1.00	10
1.50	15
2.50	20
4.00	25

Cable length (m)						
	7.5	15	25	30	45	60

Voltage	Amperes	Cable rated current (Ampere)						
110-127	0 - 2.0	6	6	6	6	6	6	10
	2.1 - 3.4	6	6	6	6	15	15	
	3.5 - 5.0	6	6	10	15	20	20	
	5.1 - 7.0	10	10	15	20	20	25	
	7.1 - 12.0	15	15	20	25	25	-	
220-240	12.1 - 20.0	20	20	25	-	-	-	
	0 - 2.0	6	6	6	6	6	6	
	2.1 - 3.4	6	6	6	6	6	6	
	3.5 - 5.0	6	6	6	6	10	15	
	5.1 - 7.0	10	10	10	10	15	15	
	7.1 - 12.0	15	15	15	15	20	20	
	12.1 - 20.0	20	20	20	20	25	-	

LABELS ON TOOL

The label on your tool may include the following symbols:

	must read the instruction manual before use. WARNING! To reduce the risk of injury, the user		
	Wear safety glasses or goggles.		
	Wear ear protection.		
	Wear a dust mask.		
V	Volts		Direct Current
A	Amperes	n_0	No-Load Speed
Hz	Hertz		Class II Construction
W	Watts		Earthing Terminal
min	minutes		Safety Alert Symbol
	Alternating Current	/min.	Revolutions or Reciprocation per minute

Position of date code

The Date Code, which also includes the year of manufacture, is printed into the housing.

Example:

2017 XX JN
Year of manufacturing

PACKAGE CONTAINS

- 1 Belt sander
- 1 Dust bag
- 1 Dust adaptor
- 1 Instruction manual
- 1 Warranty card
- 1 Service center list
- Check for damage to the tool, parts or accessories which may have occurred during transport.
- Take the time to thoroughly read and understand this manual prior to operation.

FEATURES (Fig A)



WARNING: Never modify the power tool or any part of it. Damage or personal injury could result.

- 1 On/ Off switch
- 2 Lock-on button
- 3 Dust bag

- 4 Dust extraction outlet
- 5 Tension lever
- 6 Sanding belt
- 7 Variable Speed Control Dial
- 8 Dust adaptor

BEFORE USE

- Before using the tool for the first time, it is recommended to receive practical information.
- Always check that the supply voltage is the same as the voltage indicated on the nameplate of the tool.
- Use suitable detectors to find hidden utility lines or call the local utility company for assistance (contact with electric lines can lead to fire or electrical shock; damaging a gas line can result in an explosion; penetrating a water pipe will cause property damage or an electrical shock).
- Do not work materials containing asbestos (asbestos is considered carcinogenic).
- Dust from material such as paint containing lead, some wood species, minerals and metal may be harmful (contact with or inhalation of the dust may cause allergic reactions and/or respiratory diseases to the operator or bystanders); wear a dust mask and work with a dust extraction device when connectable.
- Certain kinds of dust are classified as carcinogenic (such as oak and beech dust) especially in conjunction with additives for wood conditioning; wear a dust mask and work with a dust extraction device when connectable.
- Follow the dust-related national requirements for the materials you want to work with.
- Do not clamp the tool in a vice.
- Use completely unrolled and safe extension cords with a capacity of 16 Amps.

AFTER USE

- After switching off the tool, never stop the rotation of the accessory by a lateral force applied against it.

ASSEMBLY AND ADJUSTMENT



WARNING: To reduce the risk of serious personal injury, turn tool off and disconnect tool from power source before making any adjustments or removing/installing attachments or accessories. Before reconnecting the tool, depress and release the trigger switch to ensure that the tool is off. An accidental start-up can cause injury.

Fitting a sanding belt (Fig B)



WARNING! Never use the tool without a sanding belt (6).

- Pull the tension lever (5) outward to release the tension on the sanding belt (6).
- Remove the old sanding belt (6).
- Place a new sanding belt (6) over the rollers. Ensure that the arrow on the sanding belt (6) points in the same direction as the arrow on the tool.
- To ensure a correct tracking, the sanding belt (6) must be centred over the rollers.

- Push the tension lever (5) inward to tension the sanding belt (6).

Variable speed control dial (Fig D)

- Adjust the variable speed control dial (7) to increase or decrease the speed according to the material and sanding belt specification to be used (also possible during no load operation).

Fitting and removing the dustbag (Fig C)

- Slide the dustbag (3) over the dust extraction outlet (4).
- To remove the dustbag (3), slide it off the outlet.

Connecting a vacuum cleaner to the tool (Fig. C)

A dust adaptor (8) is required to connect a vacuum cleaner to the tool.

- Push the adaptor (8) into the dust extraction outlet (4).
- Connect vacuum cleaner hose to the adaptor (8).

Residual risks

Additional residual risks may arise when using the tool which may not be included in the enclosed safety warnings. These risks can arise from misuse, prolonged use etc.

Even with the application of the relevant safety regulations and the implementation of safety devices, certain residual risks cannot be avoided. These include:

- Injuries caused by touching any rotating/moving parts.
- Injuries caused when changing any parts, blades or accessories.
- Injuries caused by prolonged use of a tool. When using any tool for prolonged periods make sure you take regular breaks.
- Impairment of hearing.
- Health hazards caused by breathing dust developed when using your tool (example:- working with wood, especially oak, beech and MDF).

USE



WARNING! Let the tool work at its own pace. Do not overload. The auto tracking feature of this sander allows you to sand without adjusting the location of the sanding belt (6).

- Make sure that the sanding belt (6) is centred over the rollers during assembly.
- During use, if the sanding belt (6) begins to track incorrectly, remove the belt sander from the work piece and allow it to run briefly. The sanding belt (6) will return to its centred position.
- If the sanding belt (6) does not return to the centred position, allow the unit to cool for 5 minutes and repeat.

Switching on and off (Fig A,E)

- To switch the tool on, press the on/off switch (1).
- For continuous operation, press the lock-on button (2) and release the on/off switch (1).
- To switch the tool off, release the on/off switch (1).
- To switch the tool off when in continuous operation, press the on/off switch (1) once more and release it.

Emptying the dustbag

The dustbag (3) should be emptied every 10 minutes.

- Unzip the dustbag (3) and empty it before continuing.

Hints for optimum use

- Always hold the tool with both hands.
- Do not exert too much pressure on the tool.
- Regularly check the condition of the sanding belt (6). Replace when necessary.
- Always sand with the grain of the wood.
- When sanding new layers of paint before applying another layer, use extra fine grit.
- On very uneven surfaces, or when removing layers of paint, start with a coarse grit. On other surfaces, start with a medium grit. In both cases, gradually change to a fine grit for a smooth finish.
- Consult your retailer for more information on available accessories.

MAINTENANCE

Your STANLEY power tool has been designed to operate over a long period of time with a minimum of maintenance. Continuous satisfactory operation depends upon proper tool care and regular cleaning.

- Regularly clean the ventilation slots in your tool using a soft brush or dry cloth.
- Regularly clean the motor housing using a damp cloth. Do not use any abrasive or solvent-based cleaner. This machine is not user-serviceable. If problems occur contact an authorised repair agent.



Lubrication

Your power tool requires no additional lubrication.



Cleaning



WARNING: Blow dirt and dust out of the main housing with dry air as often as dirt is seen collecting in and around the air vents. Wear approved eye protection and approved dust mask when performing this procedure.



WARNING: Never use solvents or other harsh chemicals for cleaning the non-metallic parts of the tool. These chemicals may weaken the materials used in these parts. Use a cloth dampened only with water and mild soap. Never let any liquid get inside the tool; never immerse any part of the tool into a liquid.

To maintain products SAFETY and RELIABILITY, repair, carbon brush inspection and replacement, any other maintenance or adjustment should be performed by STANLEY Service Centers, always using Stanley replacement parts.

OPTIONAL ACCESSORIES



WARNING: Since accessories, other than those offered by STANLEY, have not been tested with this product, use of such accessories with this tool could be hazardous. To reduce the risk of injury, only STANLEY, recommended accessories should be used with this product.

Consult your dealer for further information on the appropriate accessories.

PROTECTING THE ENVIRONMENT



Separate collection. This product must not be disposed of with normal household waste.

Should you find one day that your STANLEY product needs replacement, or if it is of no further use to you, do not dispose of it with household waste. Make this product available for separate collection.



STANLEY provides a facility for the collection and recycling of STANLEY products once they have reached the end of their working life. To take advantage of this service please return your product to any authorised repair agent who will collect them on our behalf.

You can check the location of your nearest authorised repair agent by contacting your local STANLEY office at the address indicated in this manual. Alternatively, a list of authorised STANLEY repair agents and full details of our after-sales service and contacts are available on the Internet at: www.2helpU.com.

NOTES

STANLEY's policy is one of continuous improvement to our products and as such, we reserve the right to change product specifications without prior notice. Standard equipment and accessories may vary by country. Product specifications may differ by country. Complete product range may not be available in all countries. Contact your local STANLEY dealers for range availability

SERVICE INFORMATION

STANLEY offers a full network of company-owned and authorized service locations. All STANLEY Service Centers are staffed with trained personnel to provide customers with efficient and reliable power tool service. For more information about our authorized service centers and if you need technical advice, repair, or genuine factory replacement parts, contact the STANLEY location nearest you.

TECHNICAL DATA

BELT SANDER		SB90
Voltage	V _{AC}	220~240
Frequency	Hz	50-60
Power input	W	900
Belt speed	m/min	240-380
Sanding base surface	mm	76x533
Weight	kg	2.76

**Level of sound pressure according to EN 62841-1;
EN 62841-2-4**

Sound pressure (L_{pA})	dB(A)	91.5
Sound pressure uncertainty (K_{pA})	dB(A)	3
Sound power (L_{WA})	dB(A)	102.5
Sound power uncertainty (K_{WA})	dB(A)	3

Vibration emission value ah:

(ah)	m/s^2	<5.2
Uncertainty (K)	m/s^2	1.5

VIBRATION AND NOISE

The declared vibration and noise emission values stated in the technical data and the declaration of conformity have been measured in accordance with a standard test method provided by EN 62841 and may be used for comparing one tool with another. The declared vibration and noise emission value may also be used in a preliminary assessment of exposure.



WARNING! The vibration and noise emission value during actual use of the power tool can differ from the declared value depending on the ways in which the tool is used. The vibration and noise level may increase above the level stated.

When assessing vibration and noise exposure to determine safety measures required by 2002/44/EC to protect persons regularly using power tools in employment, an estimation of vibration and noise exposure should consider, the actual conditions of use and the way the tool is used, including taking account of all parts of the operating cycle such as the times when the tool is switched off and when it is running idle in addition to the trigger time.

EC declaration of conformity

MACHINERY DIRECTIVE

**SB90 - Belt Sander**

STANLEY declares that these products described under "technical data" are in compliance with: 2006/42/EC, EN 62841-1: 2015, EN 62841-2-4: 2014.

These products also comply with Directive 2014/30/EU and 2011/65/EU. For more information, please contact STANLEY at the following address or refer to the back of the manual.

The undersigned is responsible for compilation of the technical file and makes this declaration on behalf of STANLEY.

R.Laverick

Engineering Manager

STANLEY, Europe, Egide Walschaertsstraat14-18,
2800 Mechelen, Belgium
06.2018

TWO YEAR WARRANTY

If your STANLEY product becomes defective due to faulty materials or workmanship within 24 months from the date of purchase, STANLEY guarantees to replace all defective parts

free of charge or – at our discretion – replace the unit free of charge provided that:

- The product has not been misused and has been used in accordance with the instruction manual;
- The product has been subject to fair wear and tear;
- Repairs have not been attempted by unauthorized persons;
- Proof of purchase is produced;
- The STANLEY product is returned complete with all original components;
- The product hasn't been used for hire purposes.

If you wish to make a claim, contact your seller or check the location of your nearest authorised STANLEY repair agent in the STANLEY catalogue or contact your local STANLEY office at the address indicated in this manual. A list of authorised STANLEY repair agents and full details of our after sales service is available on the internet at: www.2helpU.com

UTILISATION PRÉVUE

Votre ponceuse à bande SB90 STANLEY a été conçue pour poncer le bois, le métal, le plastique et les surfaces peintes. Cet outil est destiné à une utilisation professionnelle.

CONSIGNES DE SÉCURITÉ

Les définitions ci-dessous définissent le niveau de gravité de chaque mention d'avertissement. Veuillez lire le manuel et prêter attention à ces symboles.



DANGER: Indique une situation imminente dangereuse qui, si elle n'est pas évitée, entraînera des blessures graves ou la mort.



AVERTISSEMENT: Indique une situation potentiellement dangereuse qui, si elle n'est pas évitée, entraînera des blessures graves ou la mort.



ATTENTION: Indique une situation potentiellement dangereuse qui, si elle n'est pas évitée, entraînera des blessures légères ou mineures.

AVIS : Indique une pratique ne concernant pas les blessures corporelles qui, si elle n'est pas évitée, peut entraîner des dommages matériels.



Indique un risque d'électrocution.



Indique un risque d'incendie.



Avertissement : Afin de réduire le risque de blessure, lisez le manuel d'instruction.

Avertissements de sécurité générale concernant l'outil électrique



AVERTISSEMENT! Lisez tous les avertissements de sécurité, les instructions, les illustrations et les spécifications fournies avec cet outil électrique. Le non-respect de ces avertissements et de ces instructions peut provoquer un incendie, une électrocution et/ou de graves blessures.

Conservez ces avertissements et ces instructions à titre de référence ultérieure. Le terme « outil électrique » dans les avertissements fait référence à votre outil électrique alimenté par le courant (avec cordon d'alimentation) ou fonctionnant sur batterie (sans cordon).

1. Sécurité de l'aire de travail

- a. **Travaillez dans un endroit propre et bien éclairé.** Les zones encombrées et sombres peuvent entraîner des accidents.
- b. **Ne mettez pas en marche votre outil électrique dans un environnement explosif, ou en présence de liquides inflammables, de gaz, ou de poussières.** La mise en marche de l'outil crée des étincelles qui peuvent enflammer les poussières ou vapeurs.
- c. **Éloignez les enfants et les personnes présentes de la zone lorsque l'outil est en fonctionnement.** Toute distraction peut vous faire perdre le contrôle de l'outil.

2. Sécurité électrique

- a. Les fiches de l'outil électrique doivent

correspondre à la prise secteur. Ne modifiez jamais la fiche, de quelque manière que ce soit. N'utilisez pas d'adaptateurs avec des outils ayant une prise de terre (mis à la terre). Des fiches non modifiées et raccordées aux prises murales correspondantes réduiront les risques de choc électrique.

- b. **Évitez le contact direct avec les surfaces mises à la terre ou mises à la masse comme les canalisations, les radiateurs, les cuisinières et les réfrigérateurs.** Le risque de choc électrique augmente si votre corps est mis à la terre ou à la masse.
- c. **N'utilisez pas d'outils électriques dans des environnements pluvieux ou humides.** Si de l'eau s'introduit dans un outil électrique, le risque de choc électrique augmentera.
- d. **Ne malmenez pas le cordon d'alimentation.** N'utilisez jamais le cordon pour transporter, tirer ou débrancher l'outil électrique. Veillez à garder le cordon éloigné des sources de chaleur, des huiles, des rebords coupants ou des pièces mobiles. Les câbles endommagés ou entremêlés augmentent le risque de choc électrique.
- e. **Lorsqu'un outil électrique est utilisé à l'extérieur, utilisez uniquement une rallonge spécialement prévue à cet effet.** L'usage d'une rallonge adaptée à l'utilisation en extérieur réduit le risque de choc électrique.
- f. **Habillez-vous correctement. Ne portez pas de vêtements amples ou de bijoux.** Gardez vos cheveux, vos vêtements et vos gants éloignés des pièces mobiles. Tenez vos cheveux, vêtements et gants éloignés des pièces mobiles. Les vêtements amples, les bijoux ou les cheveux longs peuvent être happés par les pièces mobiles.

3. Sécurité personnelle

- a. **Soyez vigilant, regardez bien ce que vous faites et faites preuve de bon sens lorsque vous utilisez l'outil électrique.** N'utilisez pas d'outil électrique si vous êtes sous l'influence de drogues, d'alcool ou de médicaments. Un instant d'inattention pendant l'utilisation d'outils électriques peut entraîner des blessures graves.
- b. **Utilisez un équipement de protection individuel. Utilisez toujours une protection oculaire.** L'utilisation d'équipements de protection tels que les masques anti-poussière, les chaussures de sécurité antidérapantes, les casques de sécurité ou les protections auditives dans des conditions appropriées réduiront les risques de blessures corporelles.
- c. **Évitez les démarrages intempestifs.** Veillez à ce que l'interrupteur soit en position d'arrêt avant de brancher l'outil à une source d'alimentation et/ou une batterie, de ramasser l'outil ou de le transporter. Transporter les outils électriques avec le doigt sur l'interrupteur ou brancher les outils électriques avec l'interrupteur en position de marche peut entraîner des accidents.
- d. **Retirez toute clé à molette ou autre clé de réglage avant de mettre l'outil électrique en marche.** Laissez une clé à molette ou une clé sur une partie

rotative de l'outil électrique peut engendrer des blessures corporelles.

- e. **Ne vous penchez pas trop.** Gardez en permanence une position stable et un bon équilibre. Cela permet un meilleur contrôle de l'outil électrique dans des situations imprévues.
 - f. **Portez des vêtements appropriés.** Ne portez pas de vêtements amples ou de bijoux. Tenez vos cheveux, vêtements et gants éloignés des pièces mobiles. Les vêtements amples, les bijoux ou les cheveux longs peuvent être happés par les pièces mobiles.
 - g. **Si des dispositifs destinés au raccordement d'installations d'extraction et de recueil de la poussière sont fournis, assurez-vous qu'ils sont correctement raccordés et utilisés.** L'utilisation de cet outil peut réduire les dangers associés à la présence de poussières.
 - h. **Ne pensez pas que la familiarité que vous avez acquise en utilisant fréquemment des outils vous permet d'être complaisant et d'ignorer les principes de sécurité concernant l'utilisation des outils.** Une action imprudente peut causer de graves blessures en une fraction de seconde.
- 4. Utilisation et entretien de l'outil électrique**
- a. **Ne forcez pas l'outil électrique. Utilisez l'outil électrique adapté à votre travail.** L'outil adapté est plus efficace et moins dangereux s'il est utilisé à la vitesse pour laquelle il a été conçu.
 - b. **N'utilisez pas l'outil si l'interrupteur ne le met pas en position de marche et d'arrêt.** Tout outil qui ne peut être contrôlé par l'interrupteur est dangereux et doit être réparé.
 - c. **Débrancher la fiche de l'alimentation source et / ou la batterie de la outil électrique avant de faire ajustements, changement d'accessoires, ou stockage d'outils électriques.** Ces mesures de sécurité préventives réduisent le risque de démarrage accidentel de l'outil électrique.
 - d. **Conservez les outils électriques inutilisés hors de la portée des enfants et ne laissez pas de personnes non familiarisées avec l'outil ou ces instructions utiliser l'outil électrique.** Les outils électriques sont dangereux pour les utilisateurs inexpérimentés.
 - e. **Maintenir les outils électriques. Vérifiez la dérive d'alignement ou l'attache des pièces mobiles, toute possibilité de rupture de pièces et tout état pouvant affecter l'outil lors de son utilisation.** Si l'outil est endommagé, faites-le réparer avant de l'utiliser. De nombreux accidents sont dus à des outils électriques mal entretenus.
 - f. **Maintenez les outils de coupe aiguisés et propres.** Les outils de coupe bien entretenus aux bords aiguisés sont moins susceptibles de se coincer et plus faciles à contrôler.
 - g. **Utilisez l'outil électrique, les accessoires et les mèches de l'outil etc., conformément à ces instructions en prenant en compte les conditions de travail et la tâche à réaliser.** L'utilisation de l'outil électrique pour des opérations différentes de celles

pour lesquelles il a été conçu peut entraîner une situation dangereuse.

- h. **Maintenez les poignées et les surfaces de préhension sèches, propres et exemptes d'huile et de graisse.** Des poignées et des surfaces de préhension glissantes ne permettent pas de manipuler l'outil en toute sécurité et de le contrôler dans des situations inattendues.

5. Réparation

- a. **Faites réparer votre outil électrique par un réparateur agréé utilisant uniquement les pièces de rechange identiques.** Cela permettra de garantir la sécurité de l'outil électrique.

CONSIGNES DE SÉCURITÉ SPÉCIFIQUES ADDITIONNELLES

Consignes de sécurité relatives aux ponceuses

- **Tenez les outils électriques uniquement par les surfaces isolées à cet effet, parce que la surface de ponçage peut entrer en contact avec son propre cordon d'alimentation.** Si un câble « sous tension » est coupé, les pièces métalliques exposées de l'outil électrique risquent de transmettre le courant et d'infliger une décharge électrique à l'opérateur.
- **Utilisez des serre-joints, un étai de serrage ou toute autre méthode pratique pour sécuriser et maintenir la pièce à traiter sur une plate-forme stable.** Le fait de tenir la pièce à traiter avec votre main ou de l'appuyer contre votre corps la rend instable et peut provoquer une perte de contrôle.
- **Avertissement !** Le contact avec la poussière ou son inhalation découlant de travaux de ponçage peut nuire à la santé de l'opérateur et des éventuels spectateurs. Portez un masque anti-poussière spécialement conçu pour protéger contre la poussière et les vapeurs et assurez-vous que les personnes présentes dans la zone de travail sont également protégées.
- Retirez soigneusement toute la poussière après le ponçage.
- Soyez particulièrement attentif lorsque vous poncez de la peinture qui pourrait être à base de plomb ou lorsque vous poncez du bois ou du métal pouvant produire de la poussière toxique :
- Ne laissez pas les enfants ou les femmes enceintes pénétrer dans la zone de travail.
- Ne mangez pas, ne buvez pas et ne fumez pas dans la zone de travail.
- Débarrassez-vous dûment de toute particule de poussière ou de tout autre débris.

L'utilisation prévue est décrite dans le présent manuel. Toute utilisation d'accessoires, de pièces rajoutées et de l'outil autre que celles qui sont définies dans le présent manuel d'instructions présente un risque de blessure et de dommages matériels.

Consignes de sécurité supplémentaires



AVERTISSEMENT : Nous recommandons l'utilisation d'un dispositif à courant résiduel avec un courant résiduel nominal de 30 mA ou moins.

SÉCURITÉ D'AUTRUI

- Cet outil n'est pas destiné à être utilisé par des personnes (y compris les enfants) présentant des capacités physiques, sensorielles ou mentales réduites, ou sans expérience, ni connaissances, à moins qu'elles ne soient surveillées ou qu'elles n'aient été instruites à l'utilisation de l'appareil par une personne responsable de leur sécurité.
- Les enfants doivent être surveillés pour s'assurer qu'ils ne jouent pas avec l'appareil.

RISQUES RÉSIDUELS

Malgré l'application des instructions de sécurité en vigueur et la mise en œuvre des dispositifs de sécurité, certains risques résiduels ne peuvent être évités. Ces risques sont les suivants :

- Troubles de l'audition.
- Risques de blessures corporelles dus aux particules volantes.
- Risques de brûlures dus aux accessoires devenant brûlant durant leur utilisation.
- Risques de blessures corporelles dus à un usage prolongé.
- Risques d'explosion de poussières de substances dangereuses.

SÉCURITÉ ÉLECTRIQUE



Cet outil dispose d'une double isolation ; aucun fil de terre n'est donc nécessaire. Vérifiez toujours que la tension du secteur correspond à celle de la plaque signalétique.



AVERTISSEMENT ! Si le cordon d'alimentation est endommagé, il doit être remplacé par le fabricant ou un centre de réparation agréé STANLEY ou encore une personne tout aussi qualifiée afin d'éviter tout accident ou blessure. En cas de remplacement du cordon d'alimentation par une personne tout aussi qualifiée mais non agréée par STANLEY, la garantie ne sera plus valable.

UTILISATION D'UNE RALLONGE

Si une rallonge est nécessaire, utilisez toujours une rallonge agréée à 3 conducteurs, adaptée à la puissance absorbée par cet outil (voir les caractéristiques techniques). La section minimale des conducteurs est de 1,5 mm² ; la longueur maximale est de 30 m. Lorsque vous utilisez un rouleau à câble, déroulez-le toujours complètement.

Superficie de la section transversale du câble (mm ²)	Intensité nominale du câble (Ampère)	Superficie de la section transversale du câble (mm ²)	Intensité nominale du câble (Ampère)
0.75		6	
1.00		10	
1.50		15	
2.50		20	
4.00		25	

Longueur du câble (m)						
	7.5	15	25	30	45	60

Tension	Ampères	Intensité nominale du câble (Ampère)					
110-127	0 - 2.0	6	6	6	6	6	10
	2.1 - 3.4	6	6	6	6	15	15
	3.5 - 5.0	6	6	10	15	20	20
	5.1 - 7.0	10	10	15	20	20	25
220-240	7.1 - 12.0	15	15	20	25	25	-
	12.1 - 20.0	20	20	25	-	-	-
	0 - 2.0	6	6	6	6	6	6
	2.1 - 3.4	6	6	6	6	6	6
	3.5 - 5.0	6	6	6	6	10	15
	5.1 - 7.0	10	10	10	10	15	15
	7.1 - 12.0	15	15	15	15	20	20
	12.1 - 20.0	20	20	20	20	25	-

ÉTIQUETTES DE L'OUTIL

L'étiquette apposée sur votre outil peut afficher les symboles suivants :

	AVERTISSEMENT ! Pour réduire tout risque de blessure, l'utilisateur doit lire le manuel d'instructions avant toute utilisation.		
	Portez des lunettes de sécurité ou des lunettes-masque.		
	Portez des protège-oreilles.		
	Portez un masque anti-poussière.		
V	Volts		Courant continu
A	Ampères	η_0	Vitesse à vide
Hz	Hertz		Construction de classe II
W	Watts		Borne de terre
min	minutes		Symbole d'alerte de sécurité
	Courant alternatif	/min.	Tours ou mouvements alternatifs par minute

Position du code de la date

Le code de date qui comporte également l'année de fabrication est imprimé sur le logement.

Exemple :

2017 XX JN
Année de fabrication

L'ENSEMBLE CONTIENT

- 1 ponceuse à bande
- 1 sac à poussière
- 1 adaptateur d'extraction de poussière
- 1 manuel d'instruction
- 1 carte de garantie
- 1 liste de centres de services

- Vérifiez que l'outil, les pièces détachées et les accessoires n'ont pas été endommagés durant le transport.
- Prenez le temps de bien lire et comprendre ce manuel avant d'utiliser l'outil.

CARACTÉRISTIQUES (Fig. A)



AVERTISSEMENT : Ne modifiez jamais l'outil électrique ou toute partie de celui-ci. Des dommages ou des blessures pourraient en résulter.

- 1 Gâchette Marche/Arrêt
- 2 Bouton de verrouillage
- 3 Sac à poussière
- 4 Sortie d'extraction de la poussière
- 5 Levier de tension
- 6 Bande abrasive
- 7 Bouton de vitesse réglable
- 8 Adaptateur d'extraction de poussière

AVANT L'UTILISATION

- Avant d'utiliser l'outil pour la première fois, il est recommandé de recevoir des informations pratiques.
- Vérifiez toujours que la tension d'alimentation est la même que la tension indiquée sur la plaque signalétique de l'outil.
- Utilisez des détecteurs adaptés pour trouver les lignes d'eau, d'électricité et de gaz cachées ou appelez les compagnies de service locales pour obtenir de l'aide (tout contact avec des lignes électriques peut provoquer un incendie ou une décharge électrique ; endommager une conduite de gaz peut entraîner une explosion ; couper une conduite d'eau causera des dommages aux biens ou une décharge électrique).
- Ne travaillez pas avec des matériaux contenant de l'amiante (l'amiante est considéré comme cancérigène).
- La poussière provenant de matériaux comme la peinture contenant du plomb, certains types de bois, des minéraux et des métaux peuvent être nuisibles (un simple contact ou l'inhalation de la poussière peut causer des réactions allergiques et/ou des maladies respiratoires pour l'opérateur ou les personnes

se trouvant à proximité) ; portez un masque anti-poussière et travaillez avec un dispositif d'extraction de la poussière lorsqu'il est possible d'en raccorder un.

- Certains types de poussières sont classées comme cancérigènes (tels que les poussières de chêne et hêtre) particulièrement lorsque des additifs ont été utilisés pour conditionner le bois ; portez un masque anti-poussière et travaillez avec un dispositif d'extraction de la poussière lorsqu'il est possible d'en raccorder un.
- Suivez les exigences nationales liées à la poussière relatives aux matériaux que vous voulez découper.
- Ne serrez pas l'outil dans un étou.
- Utilisez des rallonges complètement déroulées et sûres ayant une capacité de 16 ampères.

APRÈS L'UTILISATION

- Une fois que l'alimentation est coupée, n'essayez jamais d'arrêter la rotation de la lame en exerçant une force latérale sur elle.

MONTAGE ET RÉGLAGE



AVERTISSEMENT : Pour réduire le risque de blessures physiques graves, arrêtez l'outil et débranchez-le du secteur avant de réaliser des réglages ou de démonter/installer des accessoires. Avant de rebrancher l'outil, appuyez sur la gâchette et relâchez-la pour vous assurer que l'outil est déjà hors tension. Un démarrage accidentel peut provoquer des blessures.

Montage d'une bande abrasive (Fig. B)



AVERTISSEMENT ! N'utilisez jamais l'outil sans bande abrasive (6).

- Tirez le levier de tension (5) vers l'extérieur pour détendre la bande abrasive (6).
- Retirez l'ancienne bande abrasive (6).
- Placez une nouvelle bande abrasive (6) sur les rouleaux. Assurez-vous que la flèche sur la bande abrasive (6) pointe dans la même direction que la flèche sur l'outil.
- Pour s'assurer que la bande abrasive (6) reste en place, veillez à bien la centrer sur les rouleaux.
- Poussez le levier de tension (5) vers l'intérieur pour tendre la bande abrasive (6).

Bouton de vitesse réglable (Fig. D)

- Réglez le bouton de vitesse réglable (7) pour augmenter ou diminuer la vitesse en fonction des matériaux et des spécifications de la bande abrasive utilisée (cela peut également être fait lorsque la ponceuse tourne à vide).

Installation et retrait du sac à poussière (Fig. C)

- Glissez le sac à poussière (3) sur la sortie d'extraction de la poussière (4).
- Pour retirer le sac à poussière (3), faites-le glisser hors de la sortie d'extraction.

Branchement d'un aspirateur à l'outil (Fig. C)

Un adaptateur d'extraction de poussière (8) est nécessaire pour raccorder un aspirateur à l'outil.

- Glissez l'adaptateur (8) dans la sortie d'extraction de la poussière (4).
- Branchez le flexible de l'aspirateur à l'adaptateur (8).

Risques résiduels

se peut que des risques résiduels additionnels non inclus dans les avertissements de sécurité du présent manuel surviennent lors de l'utilisation de l'outil. Ces risques peuvent provenir d'une utilisation inappropriée ou prolongée, etc.

Malgré l'application des instructions de sécurité en vigueur et la mise en œuvre des dispositifs de sécurité, certains risques résiduels ne peuvent être évités. Ces risques comprennent :

- Des blessures provoquées par le contact avec des pièces mobiles / rotatives.
- Des blessures provoquées lors du changement des pièces, forets ou accessoires.
- Des blessures provoquées par un usage prolongé d'un outil. Assurez-vous de prendre régulièrement des pauses lors d'un usage prolongé d'un outil.
- Des troubles de l'audition.
- Il existe des risques pour la santé causés par l'inhalation de poussières qui se développent lors de l'utilisation de votre outil (exemple : travailler avec du bois, en particulier du chêne, du hêtre ou du MDF).

UTILISATION



AVERTISSEMENT ! Laissez l'outil fonctionner à son propre rythme. Ne le surchargez pas. La fonction de centrage automatique de cette ponceuse vous permet de poncer sans avoir à centrer constamment la bande abrasive (6).

- Assurez-vous que la bande abrasive (6) est centrée sur les rouleaux pendant le montage.
- Au cours du ponçage, si la bande abrasive (6) commence à se décentrer, relevez la ponceuse et laissez-la tourner brièvement à vide. La bande abrasive (6) se recentrera automatiquement.
- Si la bande abrasive (6) ne se recentre pas, laissez l'outil refroidir pendant 5 minutes et recommencez.

Démarrage et arrêt de l'outil (Fig. A et E)

- Pour mettre l'outil en marche, appuyez sur la gâchette Marche/arrêt (1).
- Pour un fonctionnement en continu, appuyez sur le bouton de verrouillage (2) et relâchez la gâchette Marche/arrêt (1).
- Pour arrêter l'outil, relâchez la gâchette Marche/arrêt (1).
- Pour arrêter l'outil lorsqu'il est en mode de fonctionnement continu, appuyez à nouveau sur la gâchette Marche/arrêt (1) et relâchez-la.

Vider le sac à poussière

Le sac à poussière (3) doit être vidé toutes les 10 minutes.

- Ouvrez la fermeture éclair du sac à poussière (3) et videz-le avant de continuer.

Conseils pour une utilisation optimale

- Tenez toujours l'outil avec les deux mains.

- N'exercez pas trop de pression sur l'outil.
- Vérifiez régulièrement l'état de la bande abrasive (6). Remplacez-la quand c'est nécessaire.
- Poncez toujours dans la longueur du grain du bois.
- Lors du ponçage de nouvelles couches de peinture avant d'appliquer une autre couche, utilisez un papier à grain extra-fin.
- Sur des surfaces très inégales, ou lorsque vous poncez des couches de peinture, commencez avec un gros grain. Sur d'autres surfaces, commencez avec un grain moyen. Dans les deux cas, changez graduellement jusqu'à un grain fin pour une finition lisse.
- Consultez votre revendeur pour obtenir de plus amples informations sur les accessoires disponibles.

ENTRETIEN

Votre outil STANLEY a été conçu pour fonctionner pendant une longue période avec un minimum d'entretien.

Un fonctionnement continu satisfaisant de l'outil dépend d'un entretien soigneux et régulier.

- Nettoyez régulièrement les fentes d'aération de votre outil à l'aide d'une brosse douce et d'un chiffon sec.
- Nettoyez régulièrement le boîtier du moteur à l'aide d'un chiffon humide. N'utilisez pas d'agent nettoyant abrasif ou à base de solvant. Cet outil n'est pas réparable par l'utilisateur. Si des problèmes surviennent, consultez un agent de réparation agréé.



Lubrification

Votre outil électrique ne nécessite aucune lubrification supplémentaire.



Nettoyage



AVERTISSEMENT : Soufflez les saletés et la poussière qui pénètrent dans le cadre de l'outil avec de l'air sec dès que vous observez que de la saleté s'accumule à l'intérieur et autour des prises d'air. Portez des lunettes de protection et des masques anti-poussière approuvés lors de cette procédure.



AVERTISSEMENT : N'utilisez jamais de solvants ou autres produits chimiques corrosifs pour nettoyer les parties non métalliques de l'outil. Ces matériaux chimiques peuvent affaiblir les matériaux de ces parties. Utilisez uniquement un chiffon imbibé d'eau mélangée à un savon doux. Ne laissez jamais couler un liquide à l'intérieur et ne plongez jamais une partie quelconque de l'outil dans l'eau. Pour maintenir la SÉCURITÉ et la FIABILITÉ des produits, toute réparation, toute inspection et tout remplacement des balais de charbon, et tout autre entretien ou réglage doivent être effectués par un centre de services après-vente de STANLEY, en utilisant toujours des pièces de rechange d'origine STANLEY.

ACCESSOIRES EN OPTION



AVERTISSEMENT : Puisque les accessoires autres que ceux qui sont offerts par STANLEY n'ont pas été testés avec ce produit, l'utilisation

de tels accessoires avec cet outil pourrait être dangereuse. Pour réduire le risque de blessures, seuls les accessoires recommandés par STANLEY devraient être utilisés avec ce produit.

Consultez votre revendeur pour obtenir de plus amples informations sur les accessoires appropriés.

PROTECTION DE L'ENVIRONNEMENT



Collecte séparée. Ce produit ne doit pas être jeté avec les ordures ménagères.

Si vous décidez de remplacer ce produit STANLEY, ou si vous n'en avez plus l'utilité, ne le jetez pas avec vos déchets domestiques. Mettez-le dans un point de collecte séparée approprié.



STANLEY met à disposition un centre de collecte et de recyclage pour les produits STANLEY ayant atteint la fin de leur durée de service. Pour profiter de ce service, veuillez retourner votre produit à un agent de réparation agréé qui se chargera de la collecte.

Vous pouvez trouver l'agent de service agréé le plus proche en contactant votre agence STANLEY locale à l'adresse indiquée dans ce manuel. Autrement, une liste d'agents de réparation agréés STANLEY et des informations complètes concernant notre service après-vente, y compris les coordonnées, sont disponibles en ligne à l'adresse suivante : www.2helpU.com

REMARQUES

STANLEY mène une politique d'amélioration continue de ses produits et se réserve, de ce fait, le droit d'en modifier les caractéristiques sans préavis. Les accessoires ou équipements peuvent varier selon le pays. Les spécifications du produit peuvent varier selon le pays. La gamme complète du produit peut ne pas être disponible dans tous les pays. Contactez votre revendeur STANLEY local concernant la disponibilité de la gamme.

INFORMATION CONCERNANT LE CENTRE DE SERVICE

STANLEY offre un réseau complet de centres de service agréés. Tous les centres de services STANLEY disposent d'un personnel formé afin de fournir un service efficace et de confiance aux clients concernant les outils électriques. Si vous désirez plus d'informations sur les centres de service agréés, ou si vous avez besoin d'informations techniques, de réparation ou de pièce authentique d'usine, contactez le centre STANLEY le plus proche de chez vous.

CARACTÉRISTIQUES TECHNIQUES

PONCEUSE À BANDE

SB90

Tension	V _{CA}	De 220 à 240 environ
Fréquence	Hz	50-60
Alimentation électrique	W	900
Vitesse de la bande	m/min	240-380
Surface de la base de ponçage	mm	76x533
Poids	kg	2.76

GARANTIE DE DEUX ANS

Si un produit STANLEY s'avère défectueux en raison de matériaux en mauvais état ou d'une erreur humaine dans les 24 mois suivant la date d'achat, STANLEY garantit le remplacement gratuit de toutes les pièces défectueuses ou, à votre discrétion, le remplacement gratuit de l'unité si :

- Le produit a été correctement utilisé et a été utilisé en respectant les instructions du manuel ;
- L'usure du produit est normale ;
- Aucune réparation n'a été tentée par des personnes non autorisées ;
- Une preuve d'achat est donnée ;
- Le produit STANLEY est réexpédié avec tous les composants d'origine ;
- Le produit n'a pas été loué.

Si vous souhaitez faire une réclamation, contactez votre vendeur ou vérifiez l'emplacement de l'agent de réparation agréé STANLEY le plus proche

dans votre catalogue STANLEY ou contactez votre bureau local STANLEY à l'adresse indiquée dans ce manuel. Une liste d'agents de réparation agréés STANLEY et des informations complètes concernant notre service après-vente sont disponibles en ligne à l'adresse suivante : www.2helpU.com.

НАЗНАЧЕНИЕ

Ваша ленточная шлифовальная машина STANLEY SB90 предназначена для шлифования деревянных, металлических, пластиковых и окрашенных поверхностей. Данный инструмент предназначен для профессионального использования.

ИНСТРУКЦИИ ПО ТЕХНИКЕ БЕЗОПАСНОСТИ

Следующие определения указывают на степень важности каждого сигнального слова. Прочтите руководство по эксплуатации и обратите внимание на данные символы.



ОПАСНО: Означает чрезвычайно опасную ситуацию, которая приводит к смертельному исходу или получению тяжёлой травмы.



ВНИМАНИЕ: Означает потенциально опасную ситуацию, которая может привести к смертельному исходу или получению тяжёлой травмы.



ПРЕДУПРЕЖДЕНИЕ: Означает потенциально опасную ситуацию, которая может привести к получению травмы лёгкой или средней тяжести.

ПРЕДОСТЕРЕЖЕНИЕ: Означает ситуацию, не связанную с получением телесной травмы, которая, однако, может привести к повреждению инструмента.



Риск поражения электрическим током!



Огнеопасность!



ВНИМАНИЕ: Внимательно прочтите руководство по эксплуатации для снижения риска получения травмы.

ПРАВИЛА БЕЗОПАСНОСТИ

Общие правила безопасности при работе с электроинструментами



ВНИМАНИЕ! Внимательно прочтите все инструкции по использованию, правила безопасности, спецификации, а также рассмотрите все иллюстрации, входящие в руководство по эксплуатации данного электроинструмента. Несоблюдение всех перечисленных ниже инструкций может привести к поражению электрическим током, возникновению пожара и/или получению серьёзной травмы.

Сохраните все инструкции по безопасности и руководство по эксплуатации для их дальнейшего использования. Термин «Электроинструмент» во всех приведённых ниже указаниях относится к вашему сетевому (с кабелем) электроинструменту или аккумуляторному (беспроводному) электроинструменту.

1. Безопасность рабочего места

a. Содержите рабочее место в чистоте и

обеспечьте хорошее освещение. Плохое освещение или беспорядок на рабочем месте может привести к несчастному случаю.

- b. **Не используйте электроинструменты, если есть опасность возгорания или взрыва, например, вблизи легковоспламеняющихся жидкостей, газов или пыли.** В процессе работы электроинструменты создают искровые разряды, которые могут воспламенить пыль или горючие пары.
- c. **Во время работы с электроинструментом не подпускайте близко детей или посторонних лиц.** Отвлечение внимания может вызвать у Вас потерю контроля над рабочим процессом.

2. Электробезопасность

a. **Вилка кабеля электроинструмента должна соответствовать штепсельной розетке.** Ни в коем случае не видоизменяйте вилку электрического кабеля. Не используйте соединительные штепсели-переходники, если в силовом кабеле электроинструмента есть провод заземления. Использование оригинальной вилки кабеля и соответствующей ей штепсельной розетки уменьшает риск поражения электрическим током.

b. **Во время работы с электроинструментом избегайте физического контакта с заземлёнными объектами, такими как трубопроводы, радиаторы отопления, электроплиты и холодильники.** Риск поражения электрическим током увеличивается, если Ваше тело заземлено.

c. **Не используйте электроинструмент под дождём или во влажной среде.** Попадание воды в электроинструмент увеличивает риск поражения электрическим током.

d. **Бережно обращайтесь с электрическим кабелем.** Ни в коем случае не используйте кабель для переноски электроинструмента или для вытягивания его вилки из штепсельной розетки. Не подвергайте электрический кабель воздействию высоких температур и смазочных веществ; держите его в стороне от острых кромок и движущихся частей электроинструмента. Повреждённый или запутанный кабель увеличивает риск поражения электрическим током.

e. **При работе с электроинструментом на открытом воздухе используйте удлинительный кабель, предназначенный для наружных работ.** Использование кабеля, пригодного для работы на открытом воздухе, снижает риск поражения электрическим током.

f. **При необходимости работы с электроинструментом во влажной среде используйте источник питания, оборудованный устройством защитного отключения (УЗО).** Использование УЗО снижает риск поражения электрическим током.

3. Личная безопасность

a. **При работе с электроинструментами будьте внимательны, следите за тем, что**

- Вы делаете, и руководствуйтесь здравым смыслом.** Не используйте электроинструмент, если Вы устали, а также находясь под действием алкоголя или понижающих реакцию лекарственных препаратов и других средств. Малейшая неосторожность при работе с электроинструментами может привести к серьёзной травме.
- b. При работе используйте средства индивидуальной защиты. Всегда надевайте защитные очки.** Своевременное использование защитного снаряжения, а именно: пылезащитной маски, ботинок на нескользящей подошве, защитного шлема или противошумовых наушников, значительно снизит риск получения травмы.
 - c. Не допускайте непреднамеренного запуска.** Перед тем, как подключить электроинструмент к сети и/или аккумулятору, поднять или перенести его, убедитесь, что выключатель находится в положении «выключено». Не переносите электроинструмент с нажатым курковым выключателем и не подключайте к сетевой розетке электроинструмент, выключатель которого установлен в положение «выключено», это может привести к несчастному случаю.
 - d. Перед включением электроинструмента снимите с него все регулировочные или гаечные ключи.** Регулировочный или гаечный ключ, оставленный закреплённым на вращающейся части электроинструмента, может стать причиной получения тяжёлой травмы.
 - e. Работайте в устойчивой позе. Всегда твёрдо стойте на ногах, сохраняя равновесие.** Это позволит Вам не потерять контроль при работе электроинструментом в непредвиденной ситуации.
 - f. Одевайтесь соответствующим образом. Во время работы не надевайте свободную одежду или украшения.** Следите за тем, чтобы Ваши волосы или одежда находились в постоянном отдалении от движущихся частей инструмента. Свободная одежда, украшения или длинные волосы могут попасть в движущиеся части инструмента.
 - g. Если электроинструмент снабжён устройством сбора и удаления пыли, убедитесь, что данное устройство подключено и используется надлежащим образом.** Использование устройства пылеудаления значительно снижает риск возникновения несчастного случая, связанного с запылённостью рабочего пространства.
 - h. Даже если Вы являетесь опытным пользователем и часто используете подобные инструменты, не позволяйте себе расслабляться и игнорировать правила безопасности при использовании инструментов.** Неосторожность и невнимательность при работе могут привести к тяжёлым травмам за доли секунды.
- 4. Использование электроинструментов и технический уход**
- a. Не перегружайте электроинструмент.** Используйте Ваш инструмент по назначению. Электроинструмент работает надёжно и безопасно только при соблюдении параметров, указанных в его технических характеристиках.
 - b. Не используйте электроинструмент, если его выключатель не устанавливается в положение включения или выключения.** Электроинструмент с неисправным выключателем представляет опасность и подлежит ремонту.
 - c. Отключайте электроинструмент от сетевой розетки и/или извлекайте аккумулятор (если имеется) перед регулировкой, заменой принадлежностей или при хранении электроинструмента.** Такие меры предосторожности снижают риск случайного включения электроинструмента.
 - d. Храните неиспользуемые электроинструменты в недоступном для детей месте и не позволяйте лицам, не знакомым с электроинструментом или данными инструкциями, работать с электроинструментом.** Электроинструменты представляют опасность в руках неопытных пользователей.
 - e. Регулярно проверяйте исправность электроинструмента и дополнительных принадлежностей.** Проверяйте точность совмещения и легкость перемещения подвижных частей, целостность деталей и любых других элементов электроинструмента, воздействующих на его работу. Не используйте неисправный электроинструмент, пока он не будет полностью отремонтирован. Большинство несчастных случаев являются следствием недостаточного технического ухода за электроинструментом.
 - f. Следите за острой заточкой и чистой режущей принадлежностей.** Принадлежности с острыми кромками позволяют избежать заклинивания и делают работу менее утомительной.
 - g. Используйте электроинструмент, аксессуары и насадки в соответствии с данным Руководством по эксплуатации и с учётом рабочих условий и характера будущей работы.** Использование электроинструмента не по назначению может создать опасную ситуацию.
 - h. Следите, чтобы рукоятки и поверхности захвата оставались сухими, чистыми и не содержали следов масла и консистентной смазки.** Скользкие рукоятки и поверхности захвата не обеспечивают безопасное обращение и управление инструментом в неожиданных ситуациях.
- 5. Техническое обслуживание**
- a. Ремонт Вашего электроинструмента должен производиться только квалифицированными специалистами с использованием идентичных запасных частей.** Это обеспечит безопасность

Вашего электроинструмента в дальнейшей эксплуатации.

ДОПОЛНИТЕЛЬНЫЕ СПЕЦИАЛЬНЫЕ ПРАВИЛА БЕЗОПАСНОСТИ

Инструкции по технике безопасности при работе ленточными шлифмашинами

- **Держите электроинструмент за изолированные поверхности, поскольку шлифовальная поверхность может задеть собственный кабель.** Разрезание находящегося под напряжением провода делает не покрытые изоляцией металлические части электроинструмента также «живыми», что создаёт опасность поражения оператора электрическим током.
- **Используйте струбицы или другие приспособления для фиксации обрабатываемой детали, устанавливая их только на неподвижной поверхности.** Если держать обрабатываемую деталь руками или с упором в собственное тело, то можно потерять контроль над инструментом или обрабатываемой деталью.
- **Внимание!** Контакт с пылью или вдыхание пыли, возникающей в ходе шлифовальных работ, может представлять опасность для здоровья оператора и окружающих лиц. Надевайте респиратор, специально разработанный для защиты от пыли и паров, и следите, чтобы лица, находящиеся в рабочей зоне, также были обеспечены средствами индивидуальной защиты.
- После окончания работы тщательно убирайте всю образовавшуюся пыль.
- Соблюдайте особую осторожность при удалении краски, которая может иметь свинцовую основу, или при шлифовании некоторых сортов дерева или металла, которые могут быть источником токсичной пыли:
- Не позволяйте детям или беременным женщинам находиться в рабочей зоне.
- Не принимайте пищу, не пейте и не курите в рабочей зоне.
- Удаляйте частицы пыли и прочие отходы безопасным для окружающей среды способом.

Назначение инструмента описывается в данном руководстве по эксплуатации. Использование любых принадлежностей или приспособлений, а также выполнение данным инструментом любых видов работ, не рекомендованных данным руководством по эксплуатации, может привести к несчастному случаю и/или повреждению личного имущества.

Дополнительные инструкции по безопасности



ВНИМАНИЕ: Рекомендуется использование устройства защитного отключения с остаточным током 30 мА или менее.

БЕЗОПАСНОСТЬ ПОСТОРОННИХ ЛИЦ

- Данное изделие не может использоваться людьми (включая детей) со сниженными физическими, сенсорными и умственными

способностями или при отсутствии необходимого опыта или навыка, за исключением, если они выполняют работу под присмотром лица, отвечающего за их безопасность.

- Не позволяйте детям играть с инструментом.

ОСТАТОЧНЫЕ РИСКИ

Несмотря на соблюдение соответствующих инструкций по технике безопасности и использование предохранительных устройств, некоторые остаточные риски невозможно полностью исключить. К ним относятся:

- Ухудшение слуха
- Риск получения травмы от разлетающихся частиц.
- Риск получения ожогов от принадлежностей и насадок, которые в процессе работы сильно нагреваются.
- Риск получения травмы, связанный с продолжительным использованием инструмента.
- Риск вдыхания пыли от опасных для здоровья веществ.

ЭЛЕКТРОБЕЗОПАСНОСТЬ



Данный инструмент защищён двойной изоляцией, что исключает потребность в заземляющем проводе. Всегда проверяйте, соответствует ли напряжение, указанное на табличке с техническими параметрами, напряжению электросети.



ВНИМАНИЕ! Во избежание повреждений или получения травмы, замена повреждённого кабеля питания должна производиться только на заводе-изготовителе, в авторизованном сервисном центре STANLEY или квалифицированным персоналом. При замене кабеля питания квалифицированным лицом, но не имеющим авторизацию STANLEY, гарантия на продукт будет недействительной.

ИСПОЛЬЗОВАНИЕ УДЛИНИТЕЛЬНОГО КАБЕЛЯ

При необходимости использования удлинительного кабеля, используйте только утверждённые 3-х жильные кабели промышленного изготовления, рассчитанные на мощность не меньшую, чем потребляемая мощность данного инструмента (см. раздел «Технические характеристики»). Минимальный размер проводника должен составлять 1,5 мм²; максимальная длина кабеля не должна превышать 30 м. При использовании кабельного барабана, всегда полностью разматывайте кабель.

Поперечное сечение проводника (мм ²) Номинал кабеля (Ампер)	Поперечное сечение проводника (мм ²) Номинал кабеля (Ампер)
0.75	6
1.00	10
1.50	15
2.50	20
4.00	25

Длина кабеля (м)						
	7.5	15	25	30	45	60

Напряжение	Ампер	Номинал кабеля (Ампер)					
110-127	0 - 2.0	6	6	6	6	6	10
	2.1 - 3.4	6	6	6	6	15	15
	3.5 - 5.0	6	6	10	15	20	20
	5.1 - 7.0	10	10	15	20	20	25
	7.1 - 12.0	15	15	20	25	25	-
220-240	12.1-20.0	20	20	25	-	-	-
	0 - 2.0	6	6	6	6	6	6
	2.1 - 3.4	6	6	6	6	6	6
	3.5 - 5.0	6	6	6	6	10	15
	5.1 - 7.0	10	10	10	10	15	15
	7.1 - 12.0	15	15	15	15	20	20
	12.1-20.0	20	20	20	20	25	-

МАРКИРОВКА ИНСТРУМЕНТА

На инструменте имеются следующие знаки:

	ВНИМАНИЕ! Полное ознакомление с руководством по эксплуатации перед использованием инструмента снизит риск получения травмы.		
	Надевайте защитные очки или маску.		
	Используйте средства защиты органов слуха.		
	Надевайте защитную маску или респиратор.		
V	Вольт		Постоянный ток
A	Ампер	η_0	Скорость без нагрузки
Hz	Герц		Конструкция Класса II
W	Ватт		Клемма заземления
min	минут		Символ опасности
	Переменный ток	/min.	Кол-во оборотов или шагов в минуту

Место положения кода даты

Код даты, который также включает в себя год изготовления, отштампован на поверхности корпуса инструмента.

Пример:

2017 XX JN

Год изготовления

В УПАКОВКУ ВХОДЯТ:

- 1 Ленточная шлифмашина
- 1 Пылесборник
- 1 Переходник для устройств пылеудаления
- 1 Руководство по эксплуатации
- 1 Гарантийный талон
- Проверьте инструмент, детали и дополнительные приспособления на наличие повреждений, которые могли произойти во время транспортировки.
- Перед началом работы необходимо внимательно прочитать настоящее руководство и принять к сведению содержащуюся в нем информацию.

ОПИСАНИЕ (Рис. А)



ВНИМАНИЕ: Ни в коем случае не модифицируйте электроинструмент или какую-либо его деталь. Это может привести к получению травмы или повреждению инструмента.

1. Клавиша пускового выключателя
2. Кнопка блокировки пускового выключателя
3. Пылесборник
4. Отверстие пылеотвода
5. Рычаг натяжения ленты
6. Шлифовальная лента
7. Дискорегулятор скорости
8. Переходник для подключения устройства пылеудаления

ПЕРЕД ИСПОЛЬЗОВАНИЕМ

- Перед первым использованием инструмента рекомендуется получить практическую информацию.
- Всегда проверяйте, чтобы напряжение сети соответствовало напряжению, указанному на фирменной табличке инструмента.
- Используйте соответствующие детекторы для обнаружения скрытых коммуникационных линий или обратитесь за помощью к местному коммунальному предприятию (контакт с электролиниями может привести к пожару или поражению электрическим током; повреждение газопровода может стать причиной взрыва; пробивание водопроводной трубы может привести к повреждению имущества или поражению электрическим током).
- Не работайте с материалами, содержащими асбест (асбест признан канцерогенным веществом).
- Пыль некоторых материалов, таких как краска, содержащая свинец, некоторых видов древесины, минералов и металлов может быть вредной (контакт или вдыхание пыли может вызвать аллергические реакции и/или респираторные заболевания у пользователя или посторонних лиц). Надевайте пылезащитную маску и работайте с пылеудаляющим устройством, если его можно подсоединить к инструменту.
- Некоторые виды пыли классифицируются как канцерогенные (например, дубовая и буковая пыль), особенно в сочетании с добавками для кондиционирования древесины. Надевайте пылезащитную маску и работайте с пылеудаляющим устройством, если его можно подсоединить к инструменту.
- Соблюдайте связанные с вырабатываемой пылью национальные требования к материалам, с которыми вы хотите работать.
- Не фиксируйте инструмент в тисках.
- Используйте полностью размотанные и отвечающие требованиям безопасности удлинительные кабели номиналом 16 Ампер.

ПОСЛЕ ИСПОЛЬЗОВАНИЯ

После выключения инструмента никогда не пытайтесь остановить вращающуюся насадку, прикладывая к ней боковое усилие.

СБОРКА И РЕГУЛИРОВКА



ВНИМАНИЕ: Для снижения риска получения тяжелой травмы, перед регулировкой или снятием/установкой дополнительных принадлежностей или насадок выключайте инструмент и отсоединяйте его от электросети. Перед повторным подключением инструмента нажмите и отпустите курковый выключатель, чтобы убедиться, что инструмент действительно выключен. Непреднамеренный запуск инструмента может привести к получению травмы.

Крепление шлифовальной ленты (Рис. В)



ВНИМАНИЕ! Никогда не используйте инструмент без шлифовальной ленты (6).

- Поверните рычаг натяжения (5) от себя, чтобы ослабить натяжение шлифовальной ленты (6).
- Снимите старую шлифовальную ленту (6).
- Установите новую шлифовальную ленту (6) на валики. Убедитесь, что стрелки на шлифовальной ленте (6) и на инструменте указывают в одном направлении.
- Для правильной работы шлифовальная лента (6) должна быть отцентрирована на валиках.
- Поверните рычаг натяжения (5) к себе, натягивая шлифовальную ленту (6).

Дискорегулятор скорости (Рис. D)

- При помощи дискорегулятора скорости (7) можно увеличить или уменьшить скорость в соответствии с обрабатываемым материалом и используемой шлифовальной лентой (регулировка также возможна при работе без нагрузки).

Установка и снятие пылесборника (Рис. С)

- Надвиньте пылесборник (3) на отверстие пылеотвода (4).
- Чтобы снять пылесборник (3), стяните его с отверстия пылеотвода.

Подключение пылесоса к инструменту (Рис. С)

Для подключения к инструменту пылесоса необходим переходник (8).

- Вставьте переходник (8) в отверстие пылеотвода (4).
- Подключите шланг пылесоса к переходнику (8).

Остаточные риски

При работе данным инструментом возможно возникновение дополнительных остаточных рисков, которые не вошли в описанные здесь правила техники безопасности. Эти риски могут возникнуть при неправильном или продолжительном использовании изделия и т.п.

Несмотря на соблюдение соответствующих инструкций по технике безопасности и использование предохранительных устройств, некоторые остаточные риски невозможно полностью исключить. К ним относятся:

- Травмы в результате касания вращающихся/двигающихся частей инструмента.
- Риск получения травмы во время смены деталей или насадок.
- Риск получения травмы, связанный с продолжительным использованием инструмента. При использовании инструмента в течение продолжительного периода времени делайте регулярные перерывы в работе.
- Ухудшение слуха.
- Ущерб здоровью в результате вдыхания пыли в процессе работы с инструментом (например, при обработке древесины, в особенности, дуба, бука и ДВП).

ЭКСПЛУАТАЦИЯ



ВНИМАНИЕ! Не форсируйте рабочий процесс. Избегайте перегрузки инструмента. Функция автоматической регулировки положения ленты данной шлифмашины позволяет обрабатывать большие поверхности без регулировки положения шлифовальной ленты (6).

- При сборке следите, чтобы шлифовальная лента (6) была выровнена по центру валиков.
- Если в процессе работы шлифовальная лента (6) начинает смещаться, поднимите шлифмашину с поверхности заготовки и дайте инструменту немного поработать без нагрузки. Шлифовальная лента (6) вернётся в положение по центру валиков.
- Если шлифовальная лента (6) не возвратилась в своё центральное положение, дайте инструменту остыть в течение 5 минут и повторите процедуру.

Включение и выключение (Рис. А, Е)

- Чтобы включить инструмент, нажмите на клавишу пускового выключателя (1).
- Для непрерывного режима работы нажмите кнопку блокировки пускового выключателя (2) и отпустите клавишу пускового выключателя (1).
- Чтобы выключить инструмент, отпустите клавишу пускового выключателя (1).
- Для выключения непрерывного режима работы инструмента снова нажмите и отпустите клавишу пускового выключателя (1).

Опорожнение пылесборника

Пылесборник (3) должен опорожняться каждые 10 минут использования инструмента.

- Расстегните молнию на пылесборнике (3) и опорожните его, прежде чем продолжить работу.

Рекомендации по оптимальному использованию

- Всегда удерживайте инструмент обеими руками.
- Не надавливайте слишком сильно на инструмент.

- Регулярно проверяйте состояние шлифовальной ленты (6). При необходимости замените.
- Всегда шлифуйте вдоль волокон древесины.
- При шлифовании свежеекрашенной поверхности перед нанесением нового слоя краски используйте мелкозернистую наждачную бумагу
- На неровных поверхностях, а также для удаления толстых слоёв краски предварительно используйте обдирочную (крупнозернистую) шлифовальную бумагу. На прочих поверхностях предварительно используйте полустивую (средней зернистости) шлифовальную бумагу. В обоих случаях при последующем шлифовании перейдите на чистовую (мелкозернистую) шлифовальную бумагу, чтобы получить ровную, гладкую поверхность.
- По вопросу приобретения дополнительных принадлежностей обращайтесь к Вашему дилеру.

ТЕХНИЧЕСКОЕ ОБСЛУЖИВАНИЕ

Ваш электроинструмент STANLEY рассчитан на работу в течение продолжительного времени при минимальном техническом обслуживании. Срок службы и надёжность инструмента увеличивается при правильном уходе и регулярной чистке.

- Регулярно очищайте вентиляционные отверстия вашего инструмента мягкой щёткой или сухой тканью.
- Регулярно очищайте корпус двигателя влажной тканью. Не используйте абразивные чистящие средства, а также чистящие средства на основе растворителей. Данный инструмент не обслуживается пользователем. В случае возникновения проблем до истечения указанного срока, обращайтесь в авторизованный сервисный центр.



Смазка

Ваш электроинструмент не требует дополнительной смазки.



Чистка

ВНИМАНИЕ: Выдувайте грязь и пыль из корпуса сухим сжатым воздухом по мере видимого скопления грязи внутри и вокруг вентиляционных отверстий. Выполняйте данную процедуру, надев средство защиты глаз и респиратор утверждённого типа.



ВНИМАНИЕ: Никогда не используйте растворители или другие агрессивные химические средства для очистки неметаллических деталей инструмента. Эти химикаты могут ухудшить свойства материалов, применённых в данных деталях. Используйте ткань, смоченную в воде с мягким мылом. Не допускайте попадания какой-либо жидкости внутрь инструмента; ни в коем случае не погружайте какую-либо часть инструмента в жидкость.

В целях обеспечения БЕЗОПАСНОСТИ и ДОЛГОВЕЧНОСТИ в использовании продукта ремонт, осмотр угольных щёток, замена деталей и прочее техническое обслуживание и регулировка должны производиться только в авторизованных сервисных центрах STANLEY и только с использованием идентичных запасных частей Stanley.

ДОПОЛНИТЕЛЬНЫЕ ПРИСПОСОБЛЕНИЯ



ВНИМАНИЕ: Поскольку принадлежности, отличные от тех, которые предлагает STANLEY, не прошли тесты на данном изделии, то использование этих принадлежностей может привести к опасной ситуации. Во избежание риска получения травмы, с данным продуктом должны использоваться только дополнительные принадлежности, рекомендованные STANLEY.

По вопросу приобретения дополнительных принадлежностей обращайтесь к вашему продавцу.

ЗАЩИТА ОКРУЖАЮЩЕЙ СРЕДЫ



Раздельный сбор. Данное изделие нельзя утилизировать вместе с обычными бытовыми отходами.

Если однажды вы захотите заменить ваше изделие STANLEY или вы больше в нём не нуждаетесь, не выбрасывайте его вместе с бытовыми отходами. Отнесите изделие в специальный приёмный пункт.



Фирма STANLEY обеспечивает приём и переработку отслуживших свой срок изделий STANLEY. Чтобы воспользоваться этой услугой, вы можете сдать ваше изделие в любой авторизованный сервисный центр, который собирает их по нашему поручению.

Вы можете узнать место нахождения вашего ближайшего авторизованного сервисного центра, обратившись в ваш местный офис STANLEY по адресу, указанному в данном руководстве по эксплуатации. Кроме того, список авторизованных сервисных центров STANLEY и полную информацию о нашем послепродажном обслуживании и контактах Вы можете найти в интернете по адресу: www.2helpU.com.

ПРИМЕЧАНИЯ

Политика STANLEY нацелена на постоянное усовершенствование нашей продукции, поэтому фирма оставляет за собой право изменять технические характеристики изделий без предварительного уведомления. Стандартное оборудование и дополнительные принадлежности могут меняться в зависимости от страны продаж. Технические характеристики продуктов могут различаться в зависимости от страны продаж. Полная линия продуктов присутствует на рынках не всех стран. Для получения информации касательно линии продуктов в вашей стране обратитесь в ближайший сервисный центр STANLEY

ИНФОРМАЦИЯ ПО ТЕХНИЧЕСКОМУ ОБСЛУЖИВАНИЮ

STANLEY имеет обширную сеть принадлежащих компании и авторизованных сервисных центров. В целях предоставления клиентам эффективного и надёжного технического обслуживания электроинструментов во всех сервисных центрах STANLEY работает обученный персонал. За дополнительной информацией о наших авторизованных сервисных центрах, а также, если вы нуждаетесь в технической консультации, ремонте или покупке оригинальных запасных частей, обратитесь в ближайший к вам сервисный центр STANLEY.

ТЕХНИЧЕСКИЕ ХАРАКТЕРИСТИКИ

ЛЕНТОЧНАЯ ШЛИФМАШИНА		SB90
Напряжение	В перем. тока	220~240
Частота	Гц	50-60
Потребляемая мощность	Вт	900
Скорость ленты	м/мин	240-380
Размер шлифовальной подошвы	мм	76x533
Вес	кг	2.76



Приложение к руководству по эксплуатации электроинструмента

Инструмент ручной электрифицированный: машины шлифовальные, торговой марки "Stanley", модели: SS28X-X, SS30X-X, SB90X-X, SB92X-X, SSS31X-X, где "X" – не более 4 символов (цифра от 0 до 9, и/или буква от А до Z, и/или "-") или их отсутствие, обозначающие порядковый номер модели, комплектации и тип упаковки. Директива 2014/35/EU ЕВРОПЕЙСКОГО ПАРЛАМЕНТА И СОВЕТА от 26 февраля 2014 г. «О гармонизации законодательств государств-членов в области размещения на рынке электрооборудования, предназначенного для использования в определенных пределах напряжения»; Директива 2014/30/EU ЕВРОПЕЙСКОГО ПАРЛАМЕНТА И СОВЕТА от 26 февраля 2014 г. «О гармонизации законодательств государств-членов ЕС в области электромагнитной совместимости»; Директива 2006/42/ЕС ЕВРОПЕЙСКОГО ПАРЛАМЕНТА И СОВЕТА от 17 мая 2006 г. «О машинах и оборудовании».

СЕРТИФИКАТ СООТВЕТСТВИЯ № RU C-DE.АЯ46.В.85903
Действителен до: 01 июля 2021 г.

Выдан: Орган по сертификации "РОСТЕСТ- Москва", Адрес: 119049, г. Москва, улица Житная, д. 14, стр. 1; 117418, Москва, Нахимовский просп., 31 (фактический), Телефон: (499) 1292311, (495) 6682893, Факс: (495) 6682893, E-mail: office@rostest.ru

Изготовитель: Изготовитель: Блэк энд Деккер Холдингс ГмБХ, Германия, 65510, Идштайн, ул. Блэк энд Деккер, 40, тел. +496126212790.

Хранение.

Необходимо хранить в сухом месте, вдали от источников повышенных температур и воздействия солнечных лучей. При хранении необходимо избегать резкого перепада температур. Хранение без упаковки не допускается

Срок службы.

Срок службы изделия составляет 5 лет. Не рекомендуется к эксплуатации по истечении 5 лет хранения с даты изготовления без предварительной проверки.

Дата изготовления (код даты) указана на корпусе инструмента.

Код даты, который также включает год изготовления, отштампован на поверхности корпуса изделия.

Пример:

2014 46 XX, где 2014 –год изготовления, 46-неделя изготовления.

Определить месяц изготовления по указанной неделе изготовления можно согласно приведенной ниже таблице.

Уполномоченное изготовителем юр.лицо:

ООО "Стэнли Блэк энд Деккер", 117485, город Москва, улица Обручева, дом 30/1, строение 2
Телефон: + 7 (495) 258-3981, факс: + 7 (495) 258-3984, E-mail: inbox@dewalt.com

Сведения о импортере указаны в сопроводительной документации и/или на упаковке

Транспортировка.

Категорически не допускается падение и любые механические воздействия на упаковку при транспортировке.

При разгрузке/погрузке не допускается использование любого вида техники, работающей по принципу зажима упаковки.

Перечень критических отказов, возможные ошибочные действия персонала.

Не допускается эксплуатация изделия:

- При появлении дыма из корпуса изделия
- При поврежденном и/или оголенном сетевом кабеле
- при повреждении корпуса изделия, защитного кожуха, рукоятки
- при попадании жидкости в корпус
- при возникновении сильной вибрации
- при возникновении сильного искрения внутри корпуса

Критерии предельных состояний.

- При поврежденном и/или оголенном сетевом кабеле
- при повреждении корпуса изделия

Месяц	Январь	Февраль	Март	Апрель	Май	Июнь	Июль	Август	Сентябрь	Октябрь	Ноябрь	Декабрь	Год производства
Неделя	01	05	09	13	17	22	26	31	35	39	44	48	2016
	02	06	10	14	18	23	27	32	36	40	45	49	
	03	07	11	15	19	24	28	33	37	41	46	50	
	04	08	12	16	20	25	29	34	38	42	47	51	
	05	09	13	17	21	26	30	35	39	43	48	52	
Неделя					22					44			2017
	01	05	09	13	18	22	26	31	35	40	44	48	
	02	06	10	14	19	23	27	32	36	41	45	49	
	03	07	11	15	20	24	28	33	37	42	46	50	
	04	08	12	16	21	25	29	34	38	43	47	51	
Неделя	05	09	13	17	22	26	30	35	39	44	48	52	2018
							31						
	01	05	09	13	18	22	26	31	35	40	44	48	
	02	06	10	14	19	23	27	32	36	41	45	49	
	03	07	11	15	20	24	28	33	37	42	46	50	
Неделя	04	08	12	16	21	25	29	34	38	43	47	51	2019
	05	09	13	17	22	26	30	35	39	44	48	52	
				18						40			
	01	05	09	14	18	22	27	31	35	40	45	48	
	02	06	10	15	19	23	28	32	36	41	46	49	
Неделя	03	07	11	16	20	24	29	33	37	42	47	50	2020
	04	08	12	17	21	25	30	34	38	43	48	51	
	05	09	13	18	22	26	31	35	39	44	49	52	
										40			
	01	05	09	14	18	23	27	31	36	40	44	49	
Неделя	02	06	10	15	19	24	28	32	37	41	45	51	2020
	03	07	11	16	20	25	29	33	38	42	46	51	
	04	08	12	17	21	26	30	34	39	43	47	52	
	05	09	13	18	22	27	31	35	40	44	48	53	
			14					36		49			

ПРИЗНАЧЕННЯ

Стрічкова шліфувальна машина STANLEY SB90 призначена для шліфування дерев'яних, металевих, пластмасових та фарбованих поверхонь. Цей інструмент призначений для професійного використання.

ІНСТРУКЦІЇ З ТЕХНІКИ БЕЗПЕКИ

Наведені нижче визначення описують рівень небезпеки, якому відповідає кожне сигнальне слово. Необхідно ретельно ознайомитись із вмістом цього посібника та звернути увагу на наступні знаки.



НЕБЕЗПЕЧНО: Вказує на неминучу небезпечну ситуацію, яка, якщо її не усунути, обов'язково призведе до серйозних травм або смерті.



ОБЕРЕЖНО! Вказує на потенційно небезпечну ситуацію, яка, якщо її не усунути, може призвести до серйозних травм або смерті.



УВАГА: Вказує на потенційно небезпечну ситуацію, яка, якщо її не усунути, може призвести до травм легкого та середнього ступеню тяжкості.

ПРИМІТКА: Вказує на дію, що не пов'язана з особистою безпекою, але яка, якщо її не усунути, може привести до пошкодження майна.



Вказує на небезпеку ураження електричним струмом.



Вказує на небезпеку виникнення пожежі.



Обережно: Щоб знизити ризик травмування, необхідно ретельно ознайомитись із вмістом цього посібника.

Загальні вказівки щодо безпечної роботи з електричним інструментом



УВАГА! Необхідно ретельно ознайомитись із усіма попереджувальними знаками, вказівками щодо безпечної роботи, графічними матеріалами та технічними описами, що додаються до цього електричного інструмента. Недотримання вказівок щодо безпечної роботи може призвести до ураження електричним струмом, пожежі та/або серйозних травм персоналу.

Зберігайте всі попереджувальні написи та вказівки щодо безпечної роботи для використання в майбутньому. Термін «електричний інструмент», що використовується у всіх застережливих написах та вказівках щодо техніки безпеки, представлених нижче, відноситься до електричного інструменту, що

працює від мережі (зі шнуром електроживлення) або від акумуляторної батареї (без шнура живлення).

1. Вказівки з техніки безпеки на робочому місці

a. Утримуйте робоче місце в чистоті і добре освітленим. Безлад або погане освітлення на робочому місці можуть призвести до нещасного випадку.

b. Не працюйте з електроінструментом в місці зберігання вибухонебезпечних матеріалів, наприклад, у присутності легкозаймистих рідин, газів або пилу. Електричні інструменти створюють іскри, що можуть запалити пил або пари.

c. Забороняється перебування дітей та сторонніх осіб поблизу працюючого електричного інструменту. Ви можете відволіктися і втратити контроль за роботою інструменту.

2. Електрична безпека

a. Вилка шнура живлення інструмента повинна відповідати мережівій розетці. Забороняється вносити будь-які зміни у вилку шнура живлення. Не використовуйте жодних вилок-перехідників із заземленими (зануленими) електроінструментами. Відсутність змін у вилках шнурів живлення та відповідність електричних вилок і розеток знижує ризик ураження електричним струмом.

b. Не торкайтеся поверхонь заземлених чи занулених предметів, наприклад труб, радіаторів, електроплит або холодильників. Заземлення чи занулення тіла підвищує ризик ураження електричним струмом.

c. Забороняється піддавати електричні інструменти впливу дощу чи підвищеної вологості. При попаданні вологи всередину електричного інструмента підвищується ризик ураження електричним струмом.

d. Забороняється пошкоджувати шнур живлення. У жодному разі не використовуйте шнур живлення для перенесення чи зміни положення інструмента; не тягніть за шнур, виймаючи вилку з розетки. Не прокладайте шнур живлення поруч із гарячими предметами, мастилом, гострими краями і рухомими деталями. Пошкодження й заплутування шнурів живлення підвищує ризик ураження електричним струмом.

e. Під час роботи з електричним інструментом за межами приміщень використовуйте відповідний подовжувач. Використання подовжувача, призначеного для роботи поза приміщеннями, знижує ризик ураження електричним струмом.

f. Якщо електричним інструментом необхідно користуватись у вологому місці, слід використовувати пристрій захисного відключення (ПЗВ) електричної мережі. Використання ПЗВ знижує ризик ураження електричним струмом.

3. Безпека персоналу

- a. Під час роботи з електричним інструментом необхідно бути обачним, слідкувати за виконуваною роботою та керуватися здоровим глуздом. Забороняється працювати з електричним інструментом у стані втоми чи під впливом наркотиків, алкоголю й лікарських препаратів. Ослаблення уваги навіть на мить може призвести до серйозної травми.
 - b. Використовуйте засоби індивідуального захисту. Завжди користуйтеся засобами захисту очей. Використання у відповідних умовах засобів індивідуального захисту, наприклад пилозахисної маски, протиковзного захисного взуття, захисної каски або засобів захисту органів слуху, завжди знижує ризик отримання травми.
 - c. Не допускайте ненавмисного вмикання інструмента. Перш ніж підключити джерело живлення та/або акумулятор, піднімати чи переносити інструмент, переконайтеся, що його вимикач переведено у положення «вимкнено». Якщо тримати палець на вимикачі під час перенесення інструмента чи підключення увімкненого інструмента до мережі, це підвищує ризик нещасного випадку.
 - d. Перш ніж увімкнути електричний інструмент, обов'язково вийміть із нього регулювальний чи гайковий ключ. Ключ, залишений ключ на обертальній деталі інструмента, може призвести до травмування.
 - e. Не намагайтеся дотягнутися до важкодоступних місць. Завжди міцно тримайтеся на ногах і зберігайте рівновагу під час роботи. Це дозволяє краще контролювати електричний інструмент у непередбачуваних ситуаціях.
 - f. Необхідно використовувати захисний одяг. Забороняється одягати вільний одяг та прикраси. Волосся та одяг мають знаходитися на безпечній відстані від рухомих деталей інструменту. Вільний одяг, прикраси чи довге волосся можуть бути захоплені рухомими елементами.
 - g. Якщо встановлені пристрої підключення засобів пиловловлювання та пилозбірників, необхідно перевіряти, щоб вони були підключені та використовувалися належним чином. Використання цих пристроїв знижує рівень ризику, пов'язаного з пилом.
 - h. Досвід роботи з електричним інструментом та часте його використання не повинні ставити причиною легковажного ставлення до правил безпечної експлуатації чи їх ігнорування. Легковажне ставлення навіть на частку секунди може призвести до серйозної травми.
4. Використання та догляд за електричним інструментом
- a. Не застосовуйте надмірне зусилля до

- електричного інструмента. Використовуйте електричний інструмент тільки за призначенням. Правильно підібраний електроінструмент дозволить виконати роботу краще і безпечніше при швидкості, для якої він був розроблений.
- b. Забороняється використовувати цей електричний інструмент, якщо не вдається увімкнути чи вимкнути його вимикачем. Будь-який електричний інструмент, роботою якого неможливо керувати за допомогою вимикача, є небезпечним, і його обов'язково потрібно відремонтувати.
 - c. Перш ніж регулювати електричний інструмент, замінювати на ньому приладдя чи класти на зберігання, необхідно витягти вилку живлення з розетки та/або від'єднати від нього акумулятор. Такий запобіжний захід безпеки знижує ризик ненавмисного увімкнення інструменту.
 - d. Зберігайте електричний інструмент, який в даний момент не використовується, в недоступному для дітей місці та не дозволяйте працювати з інструментом особам, які не знайомі з ним або з цими вказівками. Електричний інструмент є небезпечним в руках ненавченої людини.
 - e. Технічне обслуговування електроінструмента та приладдя. Перевіряйте центрування та з'єднання рухомих деталей, наявність пошкоджених деталей та будь-які фактори, які можуть негативно позначитися на роботі електричного інструмента. У разі виявлення пошкодження електричний інструмент необхідно відремонтувати перед використанням. Багато нещасних випадків трапляється через неналежне технічне обслуговування електричних інструментів.
 - f. Різучі інструменти мають бути загостреними й чистими. Підтримуваний у належному робочому стані ріжучий інструмент з гострими лезами менше застряє, ним легше керувати.
 - g. Використовуйте електричний інструмент, приладдя, вставні різці і т. п. відповідно до даних вказівок, враховуючи умови експлуатації та роботу, яка має бути виконана. Використання електричного інструменту не за призначенням може призвести до небезпечної ситуації.
 - h. Необхідно забезпечувати відсутність бруду, вологи та залишків оливи та мастила на рукоятках та поверхнях утримання інструменту. Слизькі рукоятки та поверхні утримання є джерелами небезпеки під час роботи з електричним інструментом та не дозволяють надійно керувати інструментом в нештатних ситуаціях.
5. Обслуговування
- a. Обслуговувати електричний інструмент повинен тільки кваліфікований ремонтник

персонал із використанням лише ідентичних запасних частин. Це забезпечить утримання електричного інструмента у безпечному стані.

ДОДАТКОВІ СПЕЦІАЛЬНІ ПРАВИЛА ТЕХНІКИ БЕЗПЕКИ

Техніка безпеки під час використання шліфувального інструменту

- Оскільки шнур живлення може торкнутися шліфувальної поверхні, тримати інструмент необхідно за ізольовані поверхні. В разі контакту з кабелем під напругою під напругу можуть потрапити металеві деталі електричного інструменту, внаслідок чого виникає небезпека ураження оператора електричним струмом.
- Надійно закріпіть оброблювану деталь на стійкій основі затискачами або іншим зручним і практичним способом. Якщо тримати деталь руками або притискати її до тіла, вона буде перебувати в незакріпленому положенні, що може призвести до втрати контролю під час роботи інструменту.
- Обережно! Контакт з пилом або вдихання того пилу, що виникає внаслідок шліфувальної обробки, може становити небезпеку для здоров'я шліфувальника і тих, хто перебуває поруч. Одягайте пилозахисну маску, яка спеціально розроблена для захисту від пилу й отруйних газів і гарантує захист всіх осіб, які знаходяться на робочій ділянці або заходять на неї.
- Ретельно видаліть весь пил після виконання шліфування.
- Будьте особливо уважні при шліфуванні поверхню, покритих фарбою, яка, можливо, містить свинець, і при шліфуванні деяких дерев'яних і металевих поверхонь, які можуть бути джерелом отруйного пилу:
- Дітям і вагітним жінкам забороняється перебувати на робочому ділянці.
- Приймати їжу, пити і курити на робочому ділянці заборонено.
- Утилізуйте безпечним чином всі частинки пилу та інші відходи.

Призначення інструменту описане в цій інструкції з експлуатації. Використання будь-якого приладдя і додаткових пристосувань разом з цим інструментом або використання інструменту в цілях, які не рекомендовані в цій інструкції, може призвести до виникнення ризику травмування персоналу та пошкодження майна.

Додаткові інструкції з техніки безпеки



ОБЕРЕЖНО: Рекомендується використовувати пристрій захисного відключення з номінальним струмом вимкнення до 30 мА.

БЕЗПЕКА ІНШИХ ОСІБ

- Цей інструмент не призначений для використання особами (включаючи дітей) з обмеженими фізичними, сенсорними або розумовими здібностями або особами, у яких відсутній необхідний досвід і знання, крім випадків, коли вони знаходяться під наглядом і отримали належні інструкції по роботі з інструментом від особи, відповідальної за їхню безпеку.
- Щоб діти не гралися з інструментом, вони повинні знаходитися під наглядом.

ЗАЛИШКОВИЙ РИЗИК

Навіть за умови дотримання всіх відповідних правил техніки безпеки та використання захисних пристроїв, неможливо повністю усунути залишковий ризик. Серед таких небезпек:

- погіршення слуху;
- небезпека травмування частинками, що розлітаються;
- небезпека опіків внаслідок нагрівання приладдя під час роботи;
- небезпека травмування внаслідок тривалої роботи;
- небезпека, що спричинена пилом шкідливої речовини.

ЕЛЕКТРИЧНА БЕЗПЕКА



Цей інструмент має подвійну ізоляцію, тому дроті заземлення для нього не потрібен. Завжди перевіряйте, чи мережева напруга відповідає значенню, вказаному в таблиці з паспортними даними.



ОБЕРЕЖНО! Щоб уникнути травм і матеріальних збитків, пошкоджений шнур живлення необхідно замінити, звернувшись до виробника, в авторизований сервісний центр STANLEY чи до особи, яка має відповідну кваліфікацію. Якщо заміну шнура живлення виконує особа, яка має відповідну кваліфікацію, але не уповноважена компанією STANLEY, гарантію буде анульовано.

ВИКОРИСТАННЯ ПОДОВЖУВАЧА

Дозволяється використовувати лише 3-дротовий схвалений для застосування подовжувач, що відповідає вхідній потужності інструменту (див. Технічні характеристики). Мінімальний перетин кабелю має бути 1,5 мм², максимальна довжина — 30 метрів. У разі використання кабельної катушки обов'язково розмотувати подовжувач повністю.

Площа перерізу кабелю, мм ² Номінальний струм кабелю, А	Площа перерізу кабелю, мм ² Номінальний струм кабелю, А
0.75	6
1.00	10
1.50	15
2.50	20
4.00	25

Довжина кабелю, м						
	7.5	15	25	30	45	60

Напруга	Ампер	Номінальний струм кабелю (ампер)					
		6	6	6	6	6	10
110-127	0 - 2.0	6	6	6	6	6	10
	2.1 - 3.4	6	6	6	6	15	15
	3.5 - 5.0	6	6	10	15	20	20
	5.1 - 7.0	10	10	15	20	20	25
	7.1 - 12.0	15	15	20	25	25	-
220-240	12.1-20.0	20	20	25	-	-	-
	0 - 2.0	6	6	6	6	6	6
	2.1 - 3.4	6	6	6	6	6	6
	3.5 - 5.0	6	6	6	6	10	15
	5.1 - 7.0	10	10	10	10	15	15
7.1 - 12.0	15	15	15	15	20	20	
12.1-20.0	20	20	20	20	25	-	

НАКЛЕЙКИ НА ІНСТРУМЕНТІ

Наклеяка на вашому інструменті може містити наступні символи:

	прочитати інструкцію з експлуатації перед його використанням. ОБЕРЕЖНО! Щоб знизити ризик травмування, необхідно уважно		
	Використовуйте відкриті і закриті захисні окуляри.		
	Необхідно застосовувати засоби захисту органів слуху.		
	Одягайте маску для захисту від пилу.		
V	Вольт	---	Постійний струм
A	Ампер	n ₀	Швидкість холостого ходу
Гц	Герц		Конструкція II класу
Вт	Ват		Клема заземлення
хв	хвилини		Попереджувальний знак
	Змінний струм	/хв.	Кількість обертів або зворотно-поступальних рухів за хвилину

Положення коду з датою

На корпусі надрукований код з датою, який також містить рік виготовлення.

Приклад:

2017 XX JN

Рік виготовлення

ДО КОМПЛЕКТУ ПОСТАВКИ ВХОДЯТЬ

1 стрічкова шліфувальна машина

1 Мішок для збирання пилу

1 Адаптер для збирання пилу

Посібник з експлуатації — 1 шт

Гарантійний талон — 1 шт

Перелік сервісних центрів — 1 шт

- Необхідно перевірити, чи не має інструмент, його деталі та приладдя пошкоджень, які могли з'явитися під час транспортування.
- Перш ніж починати роботу з інструментом, слід уважно прочитати і вивчити вказівки, які містяться у цій інструкції.

ДЕТАЛІ ІНСТРУМЕНТА (РИС. А)



ОБЕРЕЖНО: Заборонено змінювати конструкцію інструмента або його частин. Це може призвести до травмування.

- 1 Перемикач Увімк./Вимк.
- 2 Кнопка фіксації
- 3 Мішок для збирання пилу
- 4 Отвір для відведення пилу
- 5 Важіль натягу
- 6 Шліфувальна стрічка
- 7 Коліщатко регулювання швидкості стрічки
- 8 Адаптер для збирання пилу

ПЕРЕД ПОЧАТКОМ ВИКОРИСТАННЯ

- Перед першим використанням даного інструменту рекомендується отримати практичну інформацію.
- Завжди перевіряйте, чи напруга живлення відповідає напрузі, вказаній на паспортній таблиці інструмента.
- Використовуйте відповідні прилади для пошуку прихованих комунікаційних ліній або зверніться до місцевої комунальної служби за допомогою (контакт із проводами енергопостачання може призвести до пожежі або ураження електричним струмом, пошкодження газової труби може призвести до вибуху, проникнення в водопровідну трубу може призвести до пошкодження майна або ураження струмом).
- Не використовуйте матеріали, що містять азбест (азбест вважається канцерогенною речовиною).
- Пил з матеріалів, таких як фарба, що містить свинець, деякі види деревини, мінералів та металів, може бути шкідливим (контакт із таким пилом або його вдихання можуть викликати алергічні реакції та/або захворювання органів дихання оператора цього інструмента або сторонніх спостерігачів); тому надягайте маску для захисту від пилу та працюйте з пристроєм для видалення пилу, якщо його підключення можливе.
- Певні види пилу класифіковано як канцерогенні (наприклад, дубовий та буковий пил), особливо у поєднанні з добавками для кондиціонування деревини; тому надягайте маску для захисту від пилу і працюйте з пристроєм для видалення пилу, якщо його підключення можливе.
- При роботі з потрібними вам матеріалами дотримуйтесь державних норм, що стосуються поводження з пилом.
- Забороняється затискати інструмент в лещатах.
- Використовуйте повністю розгорнуті та захищені подовжувачі, розраховані на силу струму до 16 А.

ПІСЛЯ ВИКОРИСТАННЯ

- Після вимкнення пристрою ніколи не зупиняйте обертання його прилада шляхом докладання до нього бічного зусилля.

ЗБИРАННЯ ТА НАЛАШТУВАННЯ



ОБЕРЕЖНО: Щоб запобігти травмуванню, перед початком регулювання або зняття/встановлення прилада необхідно завжди вимикати інструмент та від'єднувати його від джерела живлення. Перед повторним під'єднанням інструменту необхідно натиснути та відпустити пусковий вимикач, щоб переконатися, що інструмент вимкнений. Раптове увімкнення може призвести до травмування.

Встановлення шліфувальної стрічки (Рис. В)



ОБЕРЕЖНО! Забороняється використовувати інструмент без встановленої шліфувальної стрічки (6).

- Потягніть важіль натягу (5) назовні, щоб послабити натяг шліфувальної стрічки (6).
- Зніміть старий шліфувальний ремінь (6).
- Встановіть на вальці новий шліфувальний ремінь (6). Переконайтеся в тому, що стрілка на шліфувальній стрічці (6) вказує в тому самому напрямку, що і стрілка на інструменті.
- Аби забезпечити правильне ведення інструменту, шліфувальна стрічка (6) повинна бути відцентрована на вальцях.
- Натисніть важіль натягу (5) всередину, щоб натягнути шліфувальну стрічку (6).

Коліщатко регулювання швидкості стрічки (Рис. D)

- Провертайте коліщатко регулювання швидкості стрічки (7), щоб збільшити або зменшити швидкість стрічки в залежності від оброблюваного матеріалу та характеристик використовуваної стрічки (також можливо при роботі без навантаження).

Установка та зняття мішка для видалення пилу (Рис. С)

- Вставити мішок для видалення пилу (3) в паз над отвором для видалення пилу (4).
- Щоб зняти мішок для видалення пилу (3), потягніть його назовні з пазу над отвором.

Підключення вакуумного пилотирозбірника до інструмента (Рис. С)

Для підключення вакуумного пилотирозбірника до інструмента потрібен перехідник (8).

- Вставте перехідник (8) в отвір для вилучення пилу (4).
- Підключіть шланг вакуумного пилотирозбірника до перехідника (8).

Залишковий ризик

Додатковий залишковий ризик може виникнути у випадках використання інструменту, які можуть бути не враховані в перерахованих вказівках щодо

безпечної роботи.

Така небезпека може виникати в разі неправильного або тривалого використання тощо. Навіть за умов дотримання всіх відповідних правил техніки безпеки та використанні захисних пристроїв, неможливо повністю усунути залишковий ризик. Серед них:

- травми, отримані внаслідок торкання обертових і рухомих деталей;
- травми, отримані під час заміни деталей, ножів та приладдя;
- травми, отримані внаслідок тривалого використання інструменту. При тривалому використанні інструмента необхідно робити регулярні перерви в роботі.
- погіршення слуху;
- Шкода для здоров'я, викликана вдиханням пилу, що з'являється під час роботи інструмента (наприклад, при роботі з деревом, особливо з дубом, буком або ДВП).

ВИКОРИСТАННЯ



ОБЕРЕЖНО! Інструмент має працювати зі швидкістю, яка відповідає його технічним характеристикам. Не перевантажуйте його. Функція автоматичного ведення на цій шліфувальній машині дозволяє вам здійснювати шліфувальні роботи без регулювання положення шліфувальної стрічки (6).

- Під час збирання переконайтеся в тому, що шліфувальна стрічка (6) відцентрована на вальцях.
- В ході використання, якщо шліфувальна стрічка (6) починає рухатися неправильно, зніміть стрічкову шліфувальну машину із робочої заготовки та дайте їй пропрацювати в режимі холостого ходу. Шліфувальна стрічка (6) повернеться в центральне положення.
- Якщо шліфувальна стрічка (6) не повертається в центральне положення, дайте інструменту охолонути впродовж 5 хвилин та повторіть спробу.

Увімкнення та вимкнення (Рис. А,Е)

- Щоб увімкнути інструмент, натисніть вимикач (1).
- Для тривалої роботи натисніть кнопку фіксації (2) і відпустіть вимикач (1).
- Щоб вимкнути інструмент, відпустіть вимикач (1).
- Щоб вимкнути інструмент після тривалої роботи, натисніть вимикач (1) ще раз і відпустіть його.

Спорожнення мішка для збирання пилу

Мішок для пилу (3) необхідно спорожнити через кожні 10 хвилин роботи.

- Розстібніть блискавку на мішку для збирання пилу (3) і спорожніть його перш ніж продовжити роботу.

Поради щодо ефективного використання інструмента

- Завжди тримайте інструмент двома руками.
- Не застосовуйте силу до інструмента.
- Регулярно перевіряйте стан шліфувальної стрічки (6). Виконуйте його заміну за потреби.
- Шліфування дерев'яних деталей завжди виконуйте вздовж волокон.
- Під час шліфування свіжих шарів фарби, перед нанесенням нового шару використовуйте наддрібнозернистий абразив.
- Під час шліфування дуже нерівних поверхонь або знятих шарів фарби починайте роботу з грубозернистим абразивом. Обробку інших поверхонь починайте за допомогою абразиву середньої зернистості. В обох випадках поступово зменшуйте зернистість абразиву і для фінішної обробки використовуйте дрібнозернистий абразив.
- Детальну інформацію про доступне приладдя можна дізнатися у роздрібного продавця.

ТЕХНІЧНЕ ОБСЛУГОВУВАННЯ

Конструкція інструмента STANLEY розрахована на роботу протягом тривалого періоду часу з мінімальним технічним обслуговуванням.

Тривала задовільна робота інструменту залежить від належного догляду та регулярного чищення.

- Необхідно регулярно очищувати вентиляційні прорізи в інструменті і зарядному пристрої за допомогою м'якої щітки або сухої тканини.
- Необхідно регулярно очищувати корпус двигуна за допомогою вологої тканини. Не використовуйте будь-яку очищувальну рідину на основі розчинників або абразивних речовин. Дане обладнання не призначене для обслуговування користувачем. В разі виникнення несправностей необхідно звернутися до авторизованого сервісного центру.



Змащування

Ваш електричний інструмент не потребує додаткового змащування.



Очищення



ОБЕРЕЖНО: Видувати бруд і пил з корпусу дозволяється за допомогою сухого повітря під тиском по мірі накопичення бруду всередині і навколо вентиляційних отворів. Під час виконання цієї процедури необхідно використовувати засоби захисту очей і респіратор встановленого зразка.



ОБЕРЕЖНО: Для очищення неметалевих частин інструменту забороняється використовувати розчинники та агресивні хімічні речовини. Ці хімічні речовини можуть пошкодити матеріали,

з яких складаються ці деталі. Для очищення потрібно використовувати суху ганчірку та м'який мильний розчин. Не дозволяється проникнення рідини всередину інструменту і занурення інструменту будь-якою частиною в рідину. Для забезпечення БЕЗПЕКИ та НАДІЙНОСТІ інструменту ремонт, перевірку стану графітових щіток та їхню заміну, а також будь-які інші операції з технічного обслуговування мають проводити працівники сервісних центрів STANLEY, а для заміни потрібно використовувати тільки запасні частини Stanley.

ДОДАТКОВЕ ПРИЛАДДЯ



ОБЕРЕЖНО: Оскільки приладдя сторонніх виробників, що не входять до переліку приладдя STANLEY, не було випробоване з цим виробом, його використання може бути небезпечним. Для запобігання травмуванню необхідно використовувати лише рекомендовані компанією STANLEY приладдя та обладнання.

Детальну інформацію про доступне приладдя можна дізнатися у офіційного дилера.

ЗАХИСТ НАВКОЛИШНЬОГО СЕРЕДОВИЩА



Роздільний збір відходів. Забороняється утилізувати цей виріб разом зі звичайними побутовими відходами.

Якщо ви вирішите, що ваш виріб STANLEY необхідно замінити, або припините його використовувати, не викидайте його разом із побутовими відходами. Цей виріб підлягає роздільному збору відходів.



Компанія STANLEY має систему збору і повторної переробки виробів STANLEY після закінчення терміну експлуатації. Щоб скористатися перевагою цього сервісу, будь ласка, надішліть ваш виріб будь-якому уповноваженому представнику з ремонту, який збирає такі вироби від нашого імені.

Адресу вашого найближчого уповноваженого представника з ремонту можна дізнатися, звернувшись у регіональне представництво STANLEY за адресою, наведеною в цій інструкції. Крім того, список уповноважених представників з ремонту STANLEY, детальну інформацію про обслуговування після продажу та контактні дані можна знайти на сайті: www.2helpU.com.

ПРИМІТКИ

Одним із принципів політики STANLEY є постійне вдосконалення наших виробів, тому ми залишаємо за собою право змінювати характеристики нашої продукції без попереднього сповіщення. Перелік стандартного та додаткового обладнання може різнитися залежно від країни. Технічні характеристики виробів можуть різнитися залежно від країни. Повний асортимент продукції може бути доступний не в усіх країнах. З питання наявності наших продуктів зверніться до дилерів STANLEY

ІНФОРМАЦІЯ З ОБСЛУГОВУВАННЯ

Компанія STANLEY має широку мережу власних та авторизованих сервісних центрів. Всі сервісні центри компанії STANLEY укомплектовано персоналом із відповідною підготовкою, який виконує ефективне і надійне сервісне обслуговування власників електричних інструментів. Щоб отримати додаткову інформацію про авторизовані сервісні центри, пораду технічного спеціаліста чи замовити ремонт та оригінальні запасні частини, зверніться до найближчого представництва STANLEY.

ТЕХНІЧНІ ДАНІ

СТРІЧКОВА ШЛІФУВАЛЬНА МАШИНА		SB90
Напруга	Взм.ст	220~240
Частота	Гц	50-60
Споживана потужність	Вт	900
Швидкість стрічки	м/хв	240-380
Поверхня шліфувальної підставки	мм	76x533
Вага	кг	2.76



Виробник:
"Stanley Black & Decker Deutschland GmbH" Black-&-Decker Str.40, D-65510 Idstein, Німеччина

KULLANIM AMACI

STANLEY tank zımparanız ahşap, metal, plastik ve boyalı yüzeylerin zımparalanması için tasarlanmıştır. Bu alet profesyonel kullanım içindir.

GÜVENLİK TALİMATLARI

Aşağıdaki tanımlar her işaret sözcüğü ciddiyet derecesini gösterir. Lütfen kılavuzu okuyunuz ve bu simgelere dikkat ediniz.



TEHLİKE: Engellenmemesi halinde ölüm veya ciddi yaralanma ile sonuçlanabilecek çok yakın bir tehlikeli durumu gösterir.



UYARI: Engellenmemesi halinde ölüm veya ciddi yaralanma ile sonuçlanabilecek potansiyel bir tehlikeli durumu gösterir.



DİKKAT: Engellenmemesi halinde önemsiz veya orta dereceli yaralanma ile sonuçlanabilecek potansiyel bir tehlikeli durumu gösterir.

İKAZ: Engellenmemesi halinde maddi hasara neden olabilecek, yaralanma ile ilişkisi olmayan durumları gösterir.



Elektrik çarpması riskine işaret eder.



Yangın riskini belirtir.



Uyarı: Yaralanma riskini azaltmak için, kullanım kılavuzunu okuyun.

GÜVENLİK TALİMATLARI**Genel elektrikli alet güvenlik uyarıları**

UYARI! Bu elektrikli alet ile verilen tüm güvenlik uyarıları, talimatlar, resimli açıklamalar ve teknik özellikleri okuyun. Aşağıda belirtilen tüm talimatların herhangi birisine uyulmaması elektrik çarpması, yangın ve/veya ciddi yaralanma riskine neden olabilir.

Bütün uyarı ve güvenlik talimatlarını ileride bakmak üzere saklayın. Aşağıda yer alan uyarılardaki «elektrikli alet» terimi şebeke elektriğiyle (kablolu) veya akü/pille (şarjlı) çalışan elektrikli aletinizi ifade etmektedir.

1. Çalışma alanının güvenliği

- Çalışma alanını temiz ve aydınlık tutun.** Karışık veya karanlık alanlar kazaya davetiye çıkarır.
- Elektrikli aletleri, yanıcı sıvılar, gazlar ve tozların bulunduğu yerler gibi yanıcı ortamlarda çalıştırmayın.** Elektrikli aletler, toz veya dumanları ateşleyebilecek kıvılcımlar çıkarır.
- Bir elektrikli aleti çalıştırırken çocuklardan ve etraftaki kişilerden uzak tutun.** Dikkatinizi dağıtıcı şeyler kontrolü kaybetmenize neden olabilir.

2. Elektrik güvenliği

- Elektrikli aletlerin fişleri prizlere uygun olmalıdır. Fiş üzerinde kesinlikle hiçbir**

değişiklik yapmayın. Topraklı elektrikli aletlerde hiçbir adaptör fişi kullanmayın. Değiştirilmemiş fişler ve uygun prizler elektrik çarpması riskini azaltacaktır.

- Borular, radyatörler, ocaklar ve buzdolapları gibi topraklanmamış yüzeylerle vücut temasından kaçının.** Vücudunuzun topraklanması halinde yüksek bir elektrik çarpması riski vardır.
- Elektrikli aletleri yağmura maruz bırakmayın veya ıslatmayın.** Elektrikli alete su girmesi elektrik çarpması riskini arttıracaktır.
- Elektrik kablosunu uygun olmayan amaçlarla kullanmayın.** Elektrikli aleti kesinlikle kablosundan tutarak taşımayın, çekmeyin veya prizden çıkartmayın. Kabloyu sıcağın, yağdan, keskin kenarlardan veya hareketli parçalardan uzak tutun. Hasarlı veya dolaşmış kablolar elektrik çarpması riskini artırır.
- Elektrikli bir aleti açık havada çalıştırıyorsanız, açık havada kullanıma uygun bir uzatma kablosu kullanın.** Açık havada kullanıma uygun bir kablolu kullanılması elektrik çarpması riskini azaltır.
- Eğer bir elektrikli aletin nemli bir bölgede çalıştırılması zorunluysa, bir artık akım aygıtı (RCD) korumalı bir kaynak kullanın.** Bir RCD kullanılması elektrik şoku riskini azaltır.

3. Kişisel güvenlik

- Elektrikli bir aleti kullanırken her zaman dikkatli olun, yaptığınız işe yoğunlaşın ve sağduyulu davranın.** Elektrikli bir aleti yorgunken veya ilaç ya da alkolün etkisi altındayken kullanmayın. Elektrikli aletleri kullanırken bir anlık dikkatsizlik ciddi kişisel yaralanmayla sonuçlanabilir.
- Kişisel koruyucu ekipmanları mutlaka kullanın. Daima koruyucu gözlük takın.** Koşullara uygun toz maskesi, kaymayan güvenlik ayakkabıları, baret veya kulaklık gibi koruyucu donanımların kullanılması kişisel yaralanmaları azaltacaktır.
- İstem dışı çalıştırılmasını önleyin. Aleti güç kaynağına ve/veya aküye bağlamadan, yerden kaldırmadan veya taşımadan önce açma/kapama düğmesinin kapalı konumda olduğundan emin olun.** Aleti, parmağınız tetik üzerinde bulunacak şekilde taşımak veya açık konumdaki elektrikli aletleri elektrik şebekesine bağlamak kazaya davetiye çıkarır.
- Elektrikli aleti açmadan önce tüm ayarlamaları anahtarlarını çıkartın.** Elektrikli aletin hareketli bir parçasına takılı kalmış bir anahtar kişisel yaralanmaya neden olabilir.
- Ulaşmakta zorlandığınız yerlerde kullanmayın. Daima sağlam ve dengeli basın.** Bu, beklenmedik durumlarda elektrikli aletin daha iyi kontrol edilmesine olanak tanır.
- Uygun şekilde giyinin. Bol elbiseler giymeyin ve takı takmayın.** Şačınızı ve elbiselerinizi hareketli parçalardan uzak tutun. Bol elbiseler

ve takılar veya uzun saç hareketli parçalara takılabilir.

g. Eğer kullandığınız üründe toz emme ve toplama özellikleri olan ataşmanlar varsa bunların bağlı olduğundan ve doğru şekilde kullanıldığından emin olun. Bu toz toplama ataşmanların kullanılması tozla ilgili tehlikeleri azaltabilir.

h. Aletlerin sık kullanımından edindiğiniz aşinalığın sizi dikkatsiz kılmasına ve alet güvenlik prensiplerini önemsememeye izin vermeyin. Dikkatsiz bir eylem, bir saniyeden daha az sürede ciddi yaralanmalara neden olabilir.

4. Elektrikli aletlerin kullanımı ve bakımı

a. Elektrikli aleti zorlamayın. Uygulamanız için doğru elektrikli aleti kullanın. Doğru elektrikli alet, belirlendiği kapasite ayarında kullanıldığında daha iyi ve güvenli çalışacaktır.

b. Tetik açmıyor ve kapatıyorsa elektrikli aleti kullanmayın. Tetikle kontrol edilemeyen tüm elektrikli aletler tehlikelidir ve tamir edilmesi gerekmektedir.

c. Herhangi bir ayarlama, aksesuar değişimi veya elektrikli aletlerin saklanması öncesinde fişi güç kaynağından çekin ve/veya aküyü elektrikli aletten ayırın. Bu tür önleyici güvenlik tedbirleri aletin istem dışı olarak çalıştırılması riskini azaltacaktır.

d. Elektrikli aleti, çocukların ulaşamayacağı yerlerde saklayın ve elektrikli aleti tanımayan veya bu talimatları bilmeyen kişilerin elektrikli aleti kullanmasına izin vermeyin. Elektrikli aletler, eğitimsiz kullanıcıların elinde tehlikelidir.

e. Elektrikli aletleri ve aksesuarları iyi durumda muhafaza edin. Hareketli parçalardaki hizalama hatalarını ve tutuklukları, parçalardaki kırılmalar ve elektrikli aletin çalışmasını etkileyebilecek tüm diğer koşulları kontrol edin. Hasarlı ise, elektrikli aleti kullanmadan önce tamir ettirin. Kazaların çoğu, elektrikli aletlerin bakımının yeterli şekilde yapılmamasından kaynaklanır.

f. Kesim aletlerini keskin ve temiz tutun. Bakımı uygun şekilde yapılmış keskin kesim uçlu kesim aletlerinin sıkışma ihtimali daha düşüktür ve kontrol edilmesi daha kolaydır.

g. Elektrikli aleti, aksesuarlarını ve aletin diğer parçalarını kullanırken bu talimatlara mutlaka uyun ve çalışma ortamının koşullarını ve yapılacak işin ne olduğunu göz önünde bulundurun. Elektrikli aletin öngörülen işlemler dışındaki işlemler için kullanılması tehlikeli durumlara neden olabilir.

h. Kolları ve kavrama yüzeylerini kuru, yağsız ve gressiz tutun. Kaygan kollar ve kavrama yüzeyleri, beklenmeyen durumlarda aletin güvenli bir şekilde taşınması ve kontrol edilmesine izin vermez.

5. Servis

a. Elektrikli aletinizi, sadece orijinal yedek

parçalarını kullandığı yetkili servise tamir ettirin. Bu, elektrikli aletin güvenliğinin muhafaza edilmesini sağlayacaktır.

ÖZEL EK GÜVENLİK TALİMATLARI

Tank zımparalar için ek güvenlik talimatları

- Zımpara tabanı kendi kablosuna temas edebileceği için elektrikli el aletini yalıtımlı kavrama yüzeylerinden tutun. «Akım taşıyan» bir teli kesmesi metal kısımları «akım taşıy» hale götürür ve operatörün çarpılmasına yol açacaktır..
- Üzerinde çalıştığınız parçayı sabitlemek ve desteklemek için kelepçeler veya başka pratik yöntemler kullanın. Parçayı elle veya vücudunuza dayamanız dengesiz durmasına neden olacaktır ve aletin kontrolünü kaybetmenize yol açabilir.
- Uyarı! Zımparalama uygulamaları nedeniyle açığa çıkan tozla temas operatörün ve çevrede bulunanların sağlığını tehlikeye atabilir. Toz ve dumanlara karşı korunma için özel olarak tasarlanmış bir toz maskesi kullanın ve çalışma alanına giren veya bu alanda bulunan kişilerin de korunduğundan emin olun.
- Zımparalama işleminin ardından tüm tozu güzelce temizleyin.
- Kurşun bazlı olma ihtimali olan boyaları ve zehirli toz üretebilecek ahşap ve metalleri zımparalarken özel bir dikkat gösterin:
- Çocukların veya gebe kadınların çalışma alanına girmesinin izin vermeyin.
- Çalışma alanında bir şey yemeyin, herhangi bir içecek veya sigara içmeyin.
- Toz partiküllerini ve diğer moloz kalıntılarını güvenli bir şekilde atın.
- Kullanım amacı bu kullanım kılavuzunda açıklanmıştır. Herhangi bir aksesuarın veya bağlantının ya da işlemin, bu kılavuzda tavsiye edilen şekilden başka bir şekilde kullanılması şahısların yaralanmalarına ve/veya mal kaybına yol açabilir.

Ek güvenlik talimatları



UYARI: Alet, 30mA akımı aşmayan akım kesici cihazla beraber kullanılmaya tavsiye edilir.

Diğer kişilerin güvenliği

- Bu alet fiziksel ve zihinsel kapasitesinin yanı sıra algılama gücü azalmış olan veya yeterince deneyim ve bilgisi bulunmayan kişiler (çocuklar dahil) tarafından kullanılmak üzere üretilmemiştir. Bu tür kişiler aleti ancak güvenliklerinden sorumlu bir kişi tarafından cihazın kullanımıyla ilgili talimatların verilmesi veya sürekli kontrol altında tutulması durumunda kullanabilir.
- Çocuklar, aletle oynamalarını önlemek amacıyla kontrol altında tutulmalıdır.

DİĞER TEHLİKELER

Emniyet tedbirlerini düzenleyen yönetmeliğin uygulanmasına ve emniyet sağlayıcı aygıtların kullanılmasına rağmen, başka belirli risklerden kaçınılamaz. Bunlar:

- Duyma bozukluğu
- Sıçrayan parçacıklardan kaynaklanan yaralanma riski.
- Çalışma sırasında ısınan aksesuarlardan kaynaklanan yanık tehlikesi.
- Uzun süreli kullanımdan kaynaklanan yaralanma riski.
- Tehlikeli maddeler içeren tozun oluşması riski.

ELEKTRİK GÜVENLİĞİ

Bu alet çift yalıtımlıdır. Bu yüzden hiçbir topraklama kablosuna gerek yoktur. Her zaman şebeke geriliminin aletin üretim etiketinde belirlenmiş değerlere uyup uymadığını kontrol edin.



UYARI! Elektrik kablosu hasarlı ise, bir tehlike oluşmasını önlemek için üretici ya da yetkili STANLEY Servis Merkezi tarafından değiştirilmelidir. Elektrik kablosu STANLEY yetkili servisi haricinde değiştirilirse, garanti geçerli olmayacaktır.

UZATMA KABLOLARININ KULLANIMI

Bir uzatma kablosu gerekli ise, bu aletin elektrik girişine uygun (Teknik Özellikleri bölümüne bakın), onaylı bir 3 telli uzatma kablo kullanın. Minimum iletken boyutu 1,5 mm²'dir; maksimum uzunluk 30 m'dir. Bir kablo makarası kullanırken, kabloyu daima sonuna kadar açın.

İletken boyutu (mm2) Kablo gücü (Amper)	İletken boyutu (mm2) Kablo gücü (Amper)
0.75	6
1.00	10
1.50	15
2.50	20
4.00	25

Kablo uzunluğu (m)

	7.5	15	25	30	45	60

Voltaj	Amper	Kablo gücü (Amper)					
110-127	0 - 2.0	6	6	6	6	6	10
	2.1 - 3.4	6	6	6	6	15	15
	3.5 - 5.0	6	6	10	15	20	20
	5.1 - 7.0	10	10	15	20	20	25
	7.1 - 12.0	15	15	20	25	25	-
	12.1 - 20.0	20	20	25	-	-	-
220-240	0 - 2.0	6	6	6	6	6	6
	2.1 - 3.4	6	6	6	6	6	6
	3.5 - 5.0	6	6	6	6	10	15
	5.1 - 7.0	10	10	10	10	15	15
	7.1 - 12.0	15	15	15	15	20	20
	12.1 - 20.0	20	20	20	20	25	-

ALET ÜZERİNDEKİ ETİKETLER

Aletin etiketinde aşağıdaki semboller bulunabilir:

	UYARI! Yaralanma riskini en aza indirmek için kullanıcı kullanım talimatlarını mutlaka okumalıdır.		
	Koruyucu gözlük takın.		
	Kulaklık takın.		
	Toz maskesi takın.		
V	Volt	===	Doğru akım
A	Amper	n ₀	Yüksüz hızı
Hz	Hertz		Çift yalıtım
W	Watt		Topraklı terminal
min	dakikalar		Güvenlik uyarı sembolü
	Dalgalı akım	/min.	Dakikada devir veya darbe sayısı

Tarih kodu konumu

İmalat yılını da içeren Tarih Kodu gövdeye basılıdır.
Örnek:

2017 XX JN
İmalat Yılı

AMBALAJ, AŞAĞIDAKİ PARÇALARI İÇERMEKTEDİR

- 1 Tank zımpara
- 1 Toz torbası
- 1 Toz atma adaptörü
- 1 Kullanım kılavuzu
- 1 Garanti kartı
- 1 Servis merkezleri listesi

- Alette, parçalarda veya aksesuarlarda nakliye sırasında meydana gelmiş olabilecek hasarı kontrol edin.
- Aleti çalıştırmadan önce, bu kullanım kılavuzunu baştan sonra okuyup anlamak için gerekli zamanı ayırın.

ÖZELLİKLER (ŞEKİL A)



UYARI: Hiçbir zaman elektrikli aleti veya herhangi bir parçasını değiştirmeyin. Hasarla veya yaralanmayla sonuçlanabilir.

1. Açma/kapama düğmesi
2. Kesintisiz çalıştırma düğmesi
3. Toz torbası
4. Toz atma çıkışı
5. Gergi kolu
6. Zımpara kayışı
7. Değişken hız ayar düğmesi
8. Toz atma adaptörü

KULLANMADAN ÖNCE

- Aleti ilk kez kullanmadan önce pratik bilgi almanız önerilir.
- Her zaman şebeke gerilimi voltajının ürün etiketindeki ile aynı olup olmadığını kontrol edin
- Gizli kablo/boru hatlarını bulmak için uygun dedektörleri kullanın veya yardım için yerel kamu hizmeti şirketini arayın (elektrik hatları ile temas, yangına veya elektrik çarpmasına neden olabilir; gaz hattına zarar vermek patlamaya neden olabilir; bir su borusu ile temas, maddi hasara veya elektrik çarpmasına neden olur).
- Asbest içeren malzemeleri kullanmayın (asbest kanserojen bir madde olarak kabul edilir).
- Kurşun içeren boya, bazi odun türleri, mineraller ve metal gibi maddelerden gelen tozlar zararlı olabilir (tozla temas veya solunması, alerjik reaksiyonlara ve/veya kullanıcılar veya etraftaki kişiler için solunum yolu hastalıklarına neden olabilir); toz maskesi takın ve bağlanabilecek bir toz atma aygıtı ile çalışın.
- Bazı ağaç tozu türleri (meşe ve kayın tozu gibi), özellikle ağaçlandırma için katkı maddeleri ile

bağlantılı olarak kanserojen olarak sınıflandırılır; toz maskesi takın ve bağlanabilecek bir toz atma aygıtı ile çalışın.

- Çalışmak istediğiniz malzemeler için tozla ilgili ulusal gereklilikleri takip edin.
- Aleti mengene ile sabitlemeyin.
- 16 Amper kapasiteli tamamen açılan ve güvenli uzatma kabloları kullanın.

KULLANIMDAN SONRA

- Aleti kapattıktan sonra, aksesuarın dönüşünü hiçbir zaman aksi yönde uygulanan yanal bir kuvvetle durdurmayın.

MONTAJ VE AYARLAMA



UYARI: Ciddi yaralanma riskini azaltmak için herhangi bir ayar yapmadan ya da parça veya aksesuarları söküp takmadan önce aleti kapatın ve güç kaynağından ayırın. Aleti yeniden bağlamadan önce aletin kapalı olduğundan emin olmak için tetiğe basıp bırakın. Aletin yanlışlıkla çalıştırılması yaralanmaya neden olabilir.

Zımpara kayışının takılması (Şekil B)



UYARI! Aleti, zımpara kayışı (6) takılı olmadan kesinlikle kullanmayın.

- Zımpara kayışındaki (6) gerginliği almak için gergi kolunu (5) dışarı doğru çekin.
- Eski zımpara kayışını (6) çıkarın.
- Silindirlerin üzerine yeni bir zımpara kayışı (6) yerleştirin. Zımpara kayışındaki (6) okun aletin üzerindeki okla aynı yöne baktığından emin olun.
- Hareket yolunun doğru olduğundan emin olmak için zımpara kayışı (6) silindirler üzerinde merkezlenmelidir.
- Zımpara kayışını (6) germek için gergi kolunu (5) içeri doğru itin.

Değişken hız ayar düğmesi (Şekil D)

- Kullanılacak malzemeye ve zımpara kayışı teknik özelliklerine göre hızı artırmak veya azaltmak için değişken hız ayar düğmesini (7) ayarlayın (aynı zamanda alet kendi başına çalışırken de mümkündür).

Toz torbasının takılması ve çıkartılması (Şekil C)

- Toz torbasını (3) toz atma çıkışının (4) üzerine geçirin.
- Toz torbasını (3) çıkartmak için toz atma çıkışından çekin.

Alete bir elektrikli süpürge bağlanması (Şekil C)

Alete elektrikli süpürge veya toz tahliye cihazı bağlamak için bir toz atma adaptörü (8) gereklidir.

- Adaptörü (8) toz atma çıkışının (4) içine itin.
- Elektrikli süpürge hortumunu adaptöre (8) bağlayın.

Diğer Tehlikeler

Aletin kullanımıyla ilgili ekte sunulan güvenlik uyarılarına dahil olmayan ilave kalıcı riskler ortaya çıkabilir. Bu riskler, hatalı, uzun süreli kullanım vb. dolayısıyla ortaya çıkabilir.

Emniyet tedbirlerini düzenleyen yönetmeliğin uygulanmasına ve emniyet sağlayıcı aygıtların kullanılmasına rağmen, başka belirli risklerden kaçınılamaz. Bunlar:

- Aletin dönen ve hareket eden parçalarına dokunma sonucu ortaya çıkan yaralanmalar.
- Herhangi bir parçayı, bıçak veya aksesuarı değiştiren ortaya çıkan yaralanmalar.
- Aletin uzun süreli kullanılması sonucu ortaya çıkan yaralanmalar. Herhangi bir aleti uzun sürelerle kullanıyorsanız düzenli olarak çalışmanıza ara verin.
- Duyma bozukluğu.
- Aleti kullanırken ortaya çıkan tozun solunması sonucu ortaya çıkan sağlık sorunları (örnek: ahşapta çalışırken, özellikle meşe, akgürgen ve MDF).

KULLANIM



UYARI! Aletin kendi hızında çalışmasına izin verin. Aşırı yüklenmeyin. Bu zımparada bulunan otomatik kayış ayarı özelliği zımpara kayışının (6) konumunu ayarlamaksızın zımparalama yapmanızı sağlar.

- Zımpara kayışının (6) montaj sırasında mutlaka silindire üzerinde orta konumda olmasını sağlayın.
- Kullanım sırasında zımpara kayışının (6) doğru şekilde ayarlanmaması durumunda zımpara kayışını iş parçasından kaldırın ve kısa süreli olarak boşta çalıştırın. Zımpara kayışı (6) ortadaki konumuna geri dönecektir.
- Zımpara kayışının (6) ortadaki konumuna geri dönmemesi durumunda aleti 5 dakika süreyle soğumaya bırakın ve işlemi yeniden tekrarlayın.

Açılması ve kapatılması (Şekil A, E)

- Aleti açmak için, açma/kapama düğmesine (1) basın.
- Sürekli çalışması için kesintisiz çalıştırma düğmesine (2) basın ve açma/kapama düğmesini (1) bırakın.
- Aleti kapatmak için açma/kapama düğmesini (1) bırakın.
- Kesintisiz çalışma konumundayken aleti kapatmak için değişken hızlı açma/kapama düğmesine (1) bir kez daha basın ve bırakın.

Toz torbasının boşaltılması

Toz torbası (3), her 10 dakikada bir boşaltılmadır.

- Devam etmeden önce toz torbasının (3) fermuarını açın ve boşaltın.

En uygun kullanım için yararlı tavsiyeler

- Aleti her zaman iki elinizle tutun.
- Alete çok fazla baskı uygulamayın.
- Zımpara kayışının (6) durumunu düzenli olarak kontrol edin. Gerekğinde değiştirin.
- Her zaman ahşabı damar yönünde zımparalayın.
- Yeni boya katlarını başka bir kat vurmadan önce zımparalarken hassas zımpara kâğıdı kullanın.
- Çok bozuk yüzeylerde veya boya katlarını kazırken kaba zımpara kâğıdıyla başlayın. Diğer yüzeylerde orta kabalıkta kâğıtla başlayın. Her iki durumda da, pürüzsüz bir yüzey için dereceli olarak hassas zımpara kâğıdına geçin.
- Mevcut aksesuarlarla ilgili daha ayrıntılı bilgi için satış noktalarına danışın.

BAKIM

STANLEY elektrikli aletinin minimum bakımla uzun bir süre çalışacak şekilde tasarlanmıştır. Kesintisiz olarak memnuniyet verici bir şekilde çalışması gerekli özenin gösterilmesine ve düzenli temizliğe bağlıdır.

- Aletinizdeki havalandırma deliklerini yumuşak bir fırça veya kuru bir bezle düzenli olarak temizleyin.
- Motor muhafazasını düzenli olarak nemli bir bezle silin. Aşındırıcı veya çözücü bazlı temizleyiciler kullanmayın. Bu aletin servisi kullanıcı tarafından yapılamaz. Bir sorun çıkarsa, yetkili servisiyle temasa geçin.



Yağlama

Elektrikli aletinizin ek bir yağlama gerektirmemektedir.



Temizleme

UYARI: Havalandırma deliklerinde ve etrafında toz toplanması halinde bu tozu ve kiri kuru hava kullanarak ana gövdeden uzaklaştırın. Bu işlemi gerçekleştirirken onaylı bir göz koruması ve onaylı toz maskesi takın.



UYARI: Aletin metalik olmayan parçalarını temizlemek için asla çözücü veya başka sert kimyasal kullanmayın. Bu kimyasallar bu parçalarda kullanılan malzemeleri güçsüzlendirir. Yalnızca su ve yumuşak sabunla nemlendirilmiş bir bez kullanın. Aletin içine sıvı kaçmasına kesinlikle izin vermeyin; aletin herhangi bir parçasını bir sıvı içine daldirmeyin.

Alet EMNİYET GÜVENLİĞİ ve GÜVENİRLİK için motor kömürünün kontrol edilmesi ve değiştirilmesi dahil olarak tamir, bakım ve ayarlamaların her zaman orijinal Stanley yedek parça kullanılarak, STANLEY yetkili servisler tarafından yapılması gerekmektedir.

İLAVE AKSESUARLAR

UYARI: STANLEY tarafından tedarik veya tavsiye edilenlerin dışındaki aksesuarlar bu ürün üzerinde test edilmediğinden, söz konusu aksesuarların bu aletle birlikte kullanılması tehlikeli olabilir. Yaralanma riskini azaltmak için bu ürünle birlikte sadece STANLEY tarafından tavsiye edilen aksesuarlar kullanılmalıdır.

Uygun aksesuarlarla ilgili daha ayrıntılı bilgi için bayiinize danışın.

ÇEVRENİN KORUNMASI

Ayrı olarak atın. Bu ürün, normal evsel atıklarla birlikte atılmamalıdır.

STANLEY ürününüzün değiştirilmesi gerektiğini düşünmeniz veya artık kullanılamaz durumda olması halinde onu, evsel atıklarla birlikte atmayın. Bu ürünü, ayrı olarak toplanacak şekilde atın.



STANLEY, hizmet ömrünün sonuna ulaşan STANLEY ürünlerinin toplanması ve geri dönüşüme sokulması için bir imkân sunmaktadır. Bu hizmetin avantajlarından faydalanmak için, lütfen, ürününüzü bizim adımıza teslim alacak herhangi bir yetkili servise iade edin.

Bu kılavuzda belirtilen listeden size en yakın STANLEY yetkili tamir servisinin yerini öğrenebilirsiniz. Ya da, alternatif olarak internet'ten STANLEY yetkili tamir servislerinin listesini ve satış sonrası hizmetlerimizle ilgili tüm bilgiler ve temas bilgilerine aşağıdaki siteden ulaşabilirsiniz. www.2helpU.com

NOTLAR

STANLEY olarak, ürünlerimizi sürekli iyileştirme politikası uyguladığımızdan, önceden haber vermeden ürün özelliklerini değiştirme hakkını saklı tutarız. Standart ekipman ve aksesuarlar ülkeye göre değişebilir. Ürün özellikleri ülkelere göre farklı olabilir. Komple ürün çeşidi tüm ülkelerde geçerli olmayabilir. Ürün çeşidi durumu hakkında lütfen en yakın STANLEY yetkili servisiyle temas kurun

SERVİS BİLGİLERİ

STANLEY, kendisine ait ve yetkili servisler ile tam bir servis ağı sunmaktadır. Tüm STANLEY Servis Merkezleri müşterilere etkili ve güvenilir elektrikli el aleti hizmeti sunmak için eğitimli personel ile donatılmıştır. Yetkili servis merkezlerimiz hakkında daha fazla bilgi almak istiyorsanız veya teknik danışmanlık, onarım ya da orijinal fabrika yedek parçası ihtiyacınız varsa, size en yakın STANLEY satış noktasına başvurun.

TEKNİK ÖZELLİKLERİ

TANK ZIMPARA		SB90
Voltaj	V_{AC}	220~240
Frekans	Hz	50-60
Giriş gücü	W	900
Kayış	m/dak	240-380
Zımpara tabanı	mm	76x533
Ağırlık	kg	2.76

EN 62841-1, EN 62841-2-4'e göre ses basıncı düzeyi:

Ses basıncı (L_{pA})	dB(A)	91.5
Ses basıncı belirsizliği (K_{pA})	dB(A)	3
Akustik güç (L_{WA})	dB(A)	102.5
Akustik güç belirsizliği (K_{WA})	dB(A)	3

Titreşim emisyon değeri ah:

(ah)	m/s^2	<5.2
Belirsizlik (K)	m/s^2	1.5

TİTREŞİM VE SES

Teknik veriler ve uygunluk beyanati içerisinde belirtilen titreşim ve ses emisyon değerleri EN 62841 tarafından belirlenen standart bir test yöntemine uygun olarak ölçülmektedir ve diğer bir aletle karşılaştırma yaparken kullanılabilir. Beyan edilen titreşim ve ses emisyon değeri aynı zamanda maruz kalmanın önceden değerlendirilmesinde de kullanılabilir.



UYARI! Elektrikli aletin mevcut kullanımı sırasındaki titreşim ve ses emisyon değeri, aletin kullanım yöntemine bağlı olarak, beyan edilen değere göre farklılık sergileyebilir. Titreşim ve ses düzeyi belirlenen seviyenin üzerinde artış gösterebilir.

İşyerinde düzenli olarak elektrikli alet kullanan çalışanları korumak amacıyla 2002/44/EC tarafından getirilen elektrik güvenliği önlemlerini belirlemek üzere titreşim ve sese maruz kalmayı değerlendirirken, çalışma döngüsü içerisinde örneğin aletin kapalı olduğu ve aktif durumda olmasının yanı sıra boşta çalıştığı zamanlar gibi, bütün zaman dilimleri dahil olmak üzere mevcut kullanım durumu ve aletin kullanım şekli göz önünde bulundurularak değerlendirilmelidir.

AT Uygunluk Beyanati MAKİNE DİREKTİFİ



SB90 - Tank Zımpara

STANLEY, «teknik özellikleri» bölümünde açıklanan bu ürünlerin aşağıda belirtilen yönergelere uygun olduğunu beyan eder: 2006/42/EC, EN 62841-1: 2015, EN 62841-2-4: 2014.

Bu ürünler ayrıca 2014/30/EU ve 2011/65/EU Direktiflerine de uygundur.

Daha fazla bilgi için, lütfen aşağıdaki adresten STANLEY ile irtibata geçin veya kılavuzun arkasına bakın. Bu belge altında imzası bulunan yetkili, teknik dosyanın derlenmesinden sorumludur ve bu beyanı STANLEY adına vermiştir.

R.Laverick

Mühendislik Bölümü Müdürü

STANLEY Europe, Egide Walschaertsstraat 14-18,
2800 Mechelen, Belçika
06.2018

İKİ YILLIK GARANTİ

Sahip olduğunuz STANLEY ürünü satın alma tarihinden itibaren 24 ay içinde hatalı malzeme veya işçilik nedeniyle bozulursa, STANLEY aşağıdaki şartlara uyulması koşuluyla ücretsiz olarak tüm kusurlu parçaların yenilenmesini veya -kendi inisiyatifine bağlı olarak- satın alınan ürünün değiştirilmesini garanti eder:

- Ürün, hatalı kullanılmamış kullanım kılavuzuna uygun kullanılmıştır;
- Ürün yıpranmamış, hırpalanmamış ve aşınmamıştır;
- Yetkili olmayan kişilerce tamire çalışılmamıştır;
- Satın alma belgesi (fatura) ibraz edilmiştir;
- STANLEY ürünü, tüm orijinal parçaları ile birlikte iade edilmiştir;
- Ürün kiraya verilmemiştir.

Garanti talebinde bulunmak için, lütfen satıcıyla irtibata geçin veya STANLEY katalogunda belirtilen size en yakın STANLEY yetkili satıcı adresini kontrol edin veya ürünün kılavuzunda belirtilen adresteki yerel STANLEY yetkili tamir servisi ile temas kurun. İnternet'ten Stanley yetkili tamir servislerinin listesine ve satış sonrası hizmetlerimizle ilgili tüm bilgilerine aşağıdaki siteden ulaşabilirsiniz: www.2helpU.com

Sanayi ve Ticaret Bakanlığı tebliğince kullanım ömrü 7 yıldır.

Türkiye Distribütörü

**STANLEY BLACK&DECKER TURKEY ALET ÜRETİM
SAN. TIC. LTD.STI. AND Kozyatağı**

İçerenköy Mahallesi Umud Sokak

No:10-12 Kat :19 Ataşehir / İstanbul

Tel : (0216) 665 29 00

Faks : (0216) 665 29 01

E-posta: info-tr@sbdinc.com

ضمان لمدة سنتين

إذا تلف منتج STANLEY الخاص بك بسبب عيب في المواد أو جودة الصنع وذلك أثناء 24 شهر من تاريخ الشراء، فإن شركة STANLEY تضمن استبدال كل الأجزاء المعيبة دون مقابل أو - وفقًا لتقديرنا - استبدال الوحدة بدون مقابل بشرط أن:

- عدم إساءة استخدام المنتج واستخدامه وفقًا لتعليمات الدليل؛
- خضوع المنتج للاستهلاك العادل؛
- عدم قيام أفراد غير معتمدين بالتصليح؛
- تم إصدار دليل شراء؛
- تم إرجاع منتج STANLEY كاملاً مع كل المحتويات الأصلية؛
- لم يتم استخدام المنتج في أغراض التآجير.

إذا رغبت في عمل شكوى، اتصل ببائعك أو تحقق من مكان أقرب وكيل إصلاح STANLEY معتمد بالقرب منك

STANLEY معتمد بالقرب منك في دليل STANLEY أو اتصل بمكتب STANLEY المحلي لديك على العنوان المبين في هذا الدليل. تتوفر قائمة بوكلاء الصيانة المعتمدين التابعين لشركة STANLEY والتفاصيل الكاملة لخدمات ما بعد البيع على الإنترنت على

www.2helpU.com

حماية البيئة

الجمع المنفصل. يلزم عدم التخلص من هذا المنتج مع القمامة المنزلية العادية.



إذا لزم في يوم ما استبدال منتج STANLEY الخاص بك، أو إذا لم تعد تستخدمه، فلا تتخلص منه مع القمامة المنزلية الأخرى. اجعل هذا المنتج جاهزاً لعملية جمع المخلفات وفرزها.



توفر STANLEY التسهيلات لاستلام وإعادة تصنيع منتجات STANLEY عندما تصل إلى نهاية حياتها العملية. للاستفادة من هذه الخدمة، يُرجى إعادة منتجك لوكيل الصيانة المعتمد وسوف يستلمها بالنيابة عنك.

يمكنك التعرف على موقع أقرب وكيل صيانة معتمد عبر الاتصال بمكتب STANLEY المحلي لديك على العنوان الموضح في هذا الدليل. وبدلاً من ذلك، توجد قائمة بوكلاء الصيانة المعتمدين التابعين لشركة STANLEY والتفاصيل الكاملة لخدمات ما بعد البيع ووسائل الاتصال على الإنترنت على: www.2helpU.com.

ملاحظات

تعتمد سياسة شركة STANLEY على التحسين المستمر لمنتجاتنا، ومن ثم فإننا نحفظ بحق إجراء أي تعديلات على خصائص المنتج بدون إشعار مسبق. يمكن أن تتباين التجهيزات والملحقات القياسية من بلد لآخر. ويمكن أن تتباين مواصفات المنتج من بلد لآخر. يمكن ألا تتوفر المجموعة الكاملة للمنتج في كل البلدان. اتصل بوكيل STANLEY المحلي لديك للتحقق من نطاق التوفر.

معلومات الخدمة

توفر شركة STANLEY شبكة كاملة من مراكز الصيانة المملوكة للشركة وكذلك المعتمدة. لدى كل مراكز صيانة STANLEY فرق عمل مدربة لإمداد العملاء بخدمة فعالة ومعتمدة للأدوات الكهربائية. للحصول على مزيد من المعلومات حول مراكز الخدمة المعتمدة وإذا كنت بحاجة إلى المشورة الفنية أو الإصلاح أو قطع غيار أصلية من المصنع فاتصل بأقرب وكيل STANLEY لديك.

البيانات الفنية

SB90	صنفرة شريطية
220~240	فولت تيار متردد
50-60	هرتز
900	وات
240-380	سرعة الشريط دقيقة ⁻¹
76x533	سطح قاعدة الصنفرة ملم
2.76	الوزن كجم

تدرجياً إلى الصنفرة ذات الحبيبات الناعمة للحصول على ملمس نهائي أملس.

- استشر بائع التجزئة لديك لمزيد من المعلومات حول الملحقات المتاحة.

الصيانة

تم تصميم الأداة الكهربائية من STANLEY لكي تعمر لفترة طويلة بأقل قدر من الحاجة للصيانة. ويعتمد استمرار الآلة في أداء عملها على النحو المرضي على العناية المناسبة والتنظيف المنتظم.

- استخدم فرشاة ناعمة أو قطعة قماش جافة لتنظيف فتحة تهوية الأداة بانتظام.
- نظف مبيت المحرك بانتظام باستخدام قطعة قماش مبللة. لا تستخدم أي منظف ذو أساس كاشط أو مذيب. هذه الآلة لا تُجرى صيانتها من قبل المستخدم. فإذا حدثت أي مشكلات، يجب الاتصال بوكيل إصلاح معتمد.



التشحيم

لا تحتاج الأداة الكهربائية إلى تشحيم إضافي.



التنظيف

تحذير: تخلص من الأوساخ والأتربة المتراكمة بالعلبة الرئيسية عن طريق استخدام الهواء الجاف كلما رأيت التراب قد تجمع في فتحات التهوية وحولها. أثناء القيام بهذا الإجراء، ارتدِ واقٍ للعين معتمد مع قناع معتمد للوقاية من التراب.



تحذير: لا تستخدم مطلقاً المذيبات أو المواد الكيماوية القوية الأخرى لتنظيف الأجزاء غير المعدنية في الأداة. يمكن أن تتسبب تلك المواد الكيماوية في إضعاف المواد المستخدمة في هذه الأجزاء.



استخدم قطعة قماش رطبة مع ماء وصابون خفيف. لا تترك أي سائل تتسرب إلى داخل الأداة؛ ولا تغمر أي جزء من أجزاء الأداة في السائل. للمحافظة على سلامة المنتجات وموثوقيتها في العمل، يجب إجراء جميع عمليات الإصلاح وفحص فرشاة الكربون والاستبدال وأي عمليات صيانة أو تعديل بواسطة مراكز خدمة STANLEY، وباستخدام قطع الغيار المعتمدة من STANLEY فقط.

ملحقات اختيارية

تحذير: بما أن أي ملحقات أخرى غير تلك المقدمة من قبل STANLEY لم تُختبر مع هذا المنتج، فإن استخدامهما قد يكون خطراً للغاية. وللحد من خطر الإصابة، يجب استخدام الملحقات الموصى بها من قبل STANLEY فقط مع هذا المنتج.



راجع بائع التجزئة لديك لمزيد من المعلومات عن الملحقات المناسبة.



تحذير: للحد من مخاطر الإصابة الجسدية الخطيرة، أوقف تشغيل الأداة وافصل الأداة من مصدر الطاقة قبل إجراء أي تعديلات أو إزالة/تركيب الملحقات أو الكهاليات. قبل إعادة توصيل الأداة، اضغط وحرر مفتاح التشغيل للتأكد من أن الأداة متوقفة بالفعل. حيث إن بدء التشغيل العرضي قد يؤدي إلى حدوث إصابة.

تركيب شريط الصنفرة (الشكل B)



تحذير! لا تستخدم الأداة مطلقاً بدون تركيب شريط صنفرة (6).

- اسحب ذراع الشدّ (5) للخارج من أجل إزالة الضغط من على شريط الصنفرة (6).
- أخرج شريط الصنفرة القديم (6).
- ضع شريط الصنفرة الجديد (6) على البكرات. تأكد من أن السهم المرسوم على شريط الصنفرة (6) يشير إلى نفس اتجاه السهم المرسوم على الأداة.
- لضمان سير الأداة في الاتجاه الصحيح، يجب توسيط شريط الصنفرة (6) على البكرات.
- ادفع ذراع الشدّ (5) للداخل من أجل الضغط على شريط الصنفرة (6).

قرص التحكم في السرعة المتغيرة (الشكل D)

- اضغط قرص التحكم في السرعة المتغيرة (7) لزيادة أو إنقاص السرعة وفقاً لنوع المادة ومواصفات شريط الصنفرة المستخدم (يمكن استخدامه أيضاً أثناء التشغيل في ظروف العمل غير المضغوط).

تركيب حقيبة الغبار وإزالتها (الشكل C)

- أدخل حقيبة الغبار (3) في مخرج تجميع الغبار (4).
- لإزالة حقيبة الغبار (3)، اسحبها للخارج.

توصيل المكنتسة الكهربائية بالأداة (الشكل C)

- يتيح لك مهايئ استخلاص الغبار (8) توصيل مكنتسة كهربائية بالأداة.
- أدخل المهايئ (8) في مخرج تجميع الغبار (4).
- وصل فوهة المكنتسة الكهربائية بالمهايئ (8).

المخاطر المتبقية

- عند استخدام الجهاز يمكن أن تظهر مخاطر متبقية إضافية قد لا تكون مدرجة في تحذيرات السلامة المرفقة.
- يمكن أن تتشأ تلك المخاطر من الاستخدام السيء أو المطول إلخ.
- حتى مع اتباع تعليمات السلامة وتطبيق تجهيزات السلامة فهناك بعض المخاطر الأخرى التي لا يمكن تجنب وقوعها. وتشمل:
- إصابات تنشأ جراء ملامسة أي أجزاء دوارة/متحركة.
- إصابات تنشأ عند تغيير أي أجزاء أو شفرات أو ملحقات.

- إصابات تنشأ جراء طول فترة استعمال الأداة. احرص على توفير فترات راحة منتظمة عند استعمال الأداة لفترات طويلة.
- تضرر السمع.
- المخاطر الصحية الناتجة عن استنشاق الغبار المتكون عند استخدام جهازك (على سبيل المثال: التعامل مع الأخشاب، ولا سيما البلوط والزان والخشب المضغوط (MDF).

الاستخدام



تحذير! اترك الآلة تعمل بوتيرتها المعتادة. لا تفرط في الأحمال. تتيح لك ميزة التثبيح الآلي في أداة الصنفرة هذه إجراء عملية الصنفرة بدون ضبط موقع شريط الصنفرة (6).

- تأكد من توسيط شريط الصنفرة (6) على البكرات أثناء تركيبه.
- إذا بدأ شريط الصنفرة (6) أثناء الاستخدام في السير بشكل غير صحيح، عليك إزالة الصنفرة الشريطية من القطعة التي تعمل عليها واطرها تعمل قليلاً. سيعود شريط الصنفرة (6) إلى موضعه المتوسط مرة أخرى.
- لكن إذا لم يعد شريط الصنفرة (6) إلى موضعه المتوسط، فاترك الأداة حتى تبرد حرارتها لمدة 5 دقائق ثم كرر المحاولة.

التشغيل والإيقاف (الشكل A، E)

- بدء تشغيل الأداة، اضغط على مفتاح التشغيل/الإيقاف (1).
- للتشغيل المستمر، اضغط على زر تثبيت التشغيل (2) ثم حرر مفتاح التشغيل/الإيقاف (1).
- لإيقاف تشغيل الأداة، حرر مفتاح التشغيل/الإيقاف (1).
- لإيقاف تشغيل الأداة أثناء تفعيل وضع التشغيل المستمر، اضغط على مفتاح التشغيل/الإيقاف (1) مرة أخرى ثم حرره.

تفريغ حقيبة الغبار

- يجب تفريغ حقيبة الغبار (3) كل 10 دقائق من الاستخدام.
- عليك فتح حقيبة الغبار (3) وتفريغها قبل متابعة استعمال الأداة.

تلميحات الاستخدام الأمثل

- امسك الأداة دائماً بكلتا يديك.
- لا تبالغ كثيراً في الضغط على الأداة.
- تحقق من حالة شريط الصنفرة (6) بانتظام. قم باستبدالها إذا لزمت الأمر.
- قم بالصنفرة دائماً والوجه المحبب على الخشب.
- عند صنفرة طبقات طلاء جديدة، استخدم صنفرة رملية ناعمة إضافية قبل وضع طبقة أخرى.
- ابدأ بصنفرة ذات حبيبات خشنة على الأسطح غير المستوية تماماً، أو عند إزالة طبقات من الطلاء. على الأسطح الأخرى، ابدأ بصنفرة ذات حبيبات متوسطة. في كلتا الحالتين، انتقل

يمكن أن يحتوي الملصق الموجود على الأداة على الرموز التالية:

	يجب قراءة دليل التعليمات قبل الاستخدام. تحذير! لتقليل خطر الإصابة، يجب على المستخدم قراءة دليل التعليمات قبل الاستخدام		
	نظارات حماية أو أمان.		
	واقى الأذن.		
	ارتد قناع غبار.		
V	فولت	===	تيار مباشر
A	أمبير	n ₀	سرعة بدون تحميل
Hz	هرتز		تصميم من الفئة الثانية
W	وات		طرف أرضي
min	دقائق		رمز تبيه الأمان
~	تيار متردد	/min.	عدد الدورات أو الترددات في الدقيقة

موضع رمز التاريخ

يوجد كود التاريخ، والذي يحتوي على سنة الصنع، مطبوعًا على العبوة.

مثال:

XX JN 2017

سنة الصنع

تحتوي العبوة على

1 صنفرة شريطية

1 حقيبة غبار

1 مهايئ استخراج الغبار

1 دليل تعليمات

1 بطاقة ضمان

1 قائمة مراكز الخدمة

• تحقق من أي تلف قد يحدث في الأداة أو أجزائها أو الملحقات أثناء النقل.

• استغرق الوقت الكافي لقراءة وفهم هذا الدليل بالكامل قبل الاستخدام.

الخصائص (الشكل A)



تحذير: يحظر تعديل الأداة الكهربائية أو أي جزء منها. فقد تتعرض الأداة للتلف أو تتسبب في وقوع إصابة جسدية.

1 مفتاح التشغيل/الإيقاف

2 زر تثبيت التشغيل

3 حقيبة الغبار

4 مخرج تجميع الغبار

5 ذراع الشد

6 شريط الصنفرة

7 قرص التحكم في السرعة المتغيرة

8 مهايئ استخراج الغبار

قبل الاستخدام

• قبل استخدام الأداة لأول مرة، يُنصح بالحصول على معلومات عملية.

• تحقق دائمًا أن جهد التيار هو نفس الجهد المشار إليه على بطاقة اسم الأداة.

• استخدم كاشفات مناسبة للعثور على خطوط مرافق مخفية أو اتصل بشركة المرافق المحلية لطلب المساعدة (قد تؤدي ملامسة خطوط الكهرباء إلى نشوب حريق أو التعرض لصدمة كهربائية؛ وربما يتسبب إتلاف خط الغاز في حدوث انفجار؛ وسوف يتسبب ثقب خط الماء في تلف الممتلكات أو صدمة كهربائية).

• لا تعمل على مواد تحتوي على أسبست (يعتبر الأسبست مسبب للسرطان).

• ربما يكون الغبار الناتج عن المواد مثل الطلاء المحتوي على رصاص وبعض أنواع الخشب والمعادن والفلزات ضارًا (فقد يتسبب التلامس مع الغبار أو استنشاقه في ردود فعل تحسسية و/أو أمراض تنفسية للمشغل أو الحاضرين)؛ ارتد قناع غبار واستخدم جهاز استخلاص غبار عندما يمكن ربطه.

• تُصنف بعض أنواع الغبار كمسببات للسرطان (مثل غبار البلوط والزان) خاصة عندما تقترب من إضافات لتكييف الخشب؛ ارتد قناع غبار واستخدم جهاز استخلاص غبار عندما يمكن ربطه.

• اتبع المتطلبات الوطنية المتعلقة بالغبار فيما يخص المواد التي تريد أن تعمل بها.

• لا تثبت الأداة في منجلة.

• استخدم أسلاك إطالة ممدودة وآمنة بالكامل بقدرة 16 أمبير.

بعد الاستخدام

• بعد إيقاف تشغيل الأداة، لا توقف دوران الملحق مطلقًا بقوة جانبية تستخدمها ضدها.

مساحة المقطع العرضي للكابل (ملم ²) للتيار المقنن للكابل (أمبير)	مساحة المقطع العرضي للكابل (ملم ²) للتيار المقنن للكابل (أمبير)
6	0.75
10	1.00
15	1.50
20	2.50
25	4.00

طول الكابل (م)						
60	45	30	25	15	7.5	

تيار الكابل المقنن (بالأمبير)							أمبير	الجهد الكهربائي
10	6	6	6	6	6	0 - 2.0	110-127	
15	15	6	6	6	6	2.1 - 3.4		
20	20	15	10	6	6	3.5 - 5.0		
25	20	20	15	10	10	5.1 - 7.0		
-	25	25	20	15	15	7.1 - 12.0		
-	-	-	25	20	20	12.1 - 20.0		
6	6	6	6	6	6	0 - 2.0	220-240	
6	6	6	6	6	6	2.1 - 3.4		
15	10	6	6	6	6	3.5 - 5.0		
15	15	10	10	10	10	5.1 - 7.0		
20	20	15	15	15	15	7.1 - 12.0		
-	25	20	20	20	20	12.1 - 20.0		

سلامة الآخرين

- هذا الجهاز غير مصمم ليستخدمه الأشخاص ذوو القدرات الجسدية والحسية والعقلية المتدنية أو من تنقصهم الخبرة والمعرفة (بما في ذلك الأطفال) إلا في ظل الإشراف عليهم أو إعطائهم التعليمات المتعلقة باستخدام الجهاز من قبل الشخص المسؤول عن سلامتهم.
- ينبغي مراقبة الأطفال لضمان عدم عبثهم بالجهاز.

المخاطر المتبقية

- على الرغم من سريان تعليمات السلامة وتطبيق تجهيزات السلامة فهناك بعض المخاطر الأخرى التي لا يمكن تجنب وقوعها. وهي:
- تضرر السمع
- خطر التعرض لإصابات جسدية جراء الجزئيات المتطايرة.
- خطر التعرض لحروق جراء الملحقات التي تسخن أثناء التشغيل.
- خطر التعرض لإصابات جسدية جراء الاستخدام لفترات طويلة.
- خطر التعرض لغاز المواد الخطرة.

السلامة من مخاطر الكهرباء

الأداة الخاصة بك مزدوجة العزل؛ وبالتالي لا حاجة إلى توصيل سلك أرضي. تحقق دائماً من توافق جهد مصدر التيار الكهربائي مع الجهد الموضح على لوحة التقنين.



تحذير! في حالة تلف سلك الطاقة، يجب استبداله من قبل مُصنِع الجهاز، أو مركز خدمة معتمد لدى شركة STANLEY، أو أي فني مؤهل على نفس المستوى لتجنب أي تلف أو إصابة. في حالة استبدال سلك الطاقة بواسطة فني مؤهل على نفس المستوى، ولكنه غير معتمد لدى شركة STANLEY، فسوف تسقط صلاحية الضمان.



استخدام سلك إطالة

إذا احتجت إلى سلك تمديد، فاستخدم سلك تمديد ثلاثي القلوب معتمداً يتناسب مع دخل الطاقة لهذه الأداة (راجع البيانات الفنية). الحد الأدنى لحجم الموصل 1.5 ملم²؛ والحد الأقصى للطول 30 م. عند استخدام بكرة كابل، أبسط الكابل بالكامل.

- يمكن أن يتسبب في التعرض لمواقف خطيرة.
- h. حافظ على جفاف المقابض والأسطح القابضة ونظافتها وخلوها من الزيت والشحم. فالمقابض والأسطح القابضة المنزقة لا تسمح بالتعامل مع الأداة والتحكم فيها بأمان في المواقف غير المتوقعة.
5. الخدمة
- a. احرص على أن يقوم فني متخصص بإصلاح الأداة الكهربائية الخاصة بك وباستخدام قطع الغيار المتطابقة فقط. وذلك يضمن سلامة صيانة الأداة الكهربائية.

قواعد سلامة إضافية خاصة

- تعليمات السلامة الخاصة بالآلات الصنفرة
- تعليمات السلامة الخاصة بالآلات الصنفرة الشريطية
- احرص على حمل الأدوات الكهربائية باستخدام أسطح الإمساك المعزولة، فقد يلامس سطح الصنفرة سلك الأداة. يمكن أن يتسبب قطع سلك "حي" إلى جعل الأجزاء المعدنية المكشوفة للأداة "طرقًا حيًا" مما يمكن أن يُعرض المشغل لصدمة كهربائية.
 - استخدم المشابك أو أي طريقة عملية أخرى لتأمين وتدعيم أداة العمل على منصة ثابتة. إن حمل قطعة الشغل يدويًا أو في مقابل جسمك يجعلها غير مستقرة ويمكن أن يؤدي إلى فقدان التحكم بها.
 - تحذير! قد تؤدي ملامسة أو استنشاق الغبار الناتج عن استعمالات الصنفرة إلى الإضرار بصحة المشغل، وربما تؤثر على المارة أيضًا. ارتدِ قناع الغبار المُصمم خصيصًا للوقاية من الغبار والأدخنة، واحرص على تأمين الأشخاص الموجودين بمنطقة العمل أو الداخلين إليها كذلك.
 - تخلص من الغبار بدقة عقب الانتهاء من الصنفرة.
 - انتبه جيدًا؛ ولا سيما عند صنفرة طبقات الطلاء التي يُحتمل أن تكون مصنوعة من الرصاص أو عند صنفرة بعض الأخشاب والمعادن التي قد تُنتج غبارًا سامًا؛
 - لا تسمح للأطفال أو النساء الحوامل بدخول منطقة العمل.
 - يُحظر عليك الأكل أو الشرب أو التدخين داخل منطقة العمل.
 - تخلص بصورة آمنة من جزيئات الغبار وغيرها من جزيئات الحطام الأخرى.
- إن الغرض من الاستخدام مبين في دليل التعليمات هذا. إن استخدام أي ملحقات أو مرفقات أو إجراء أي عملية بهذه الأداة غير تلك المنصوص عليها في دليل التعليمات هذا قد يتسبب في تعرضك لخطر الإصابة الجسدية و/أو تلف في الممتلكات.
- تعليمات الأمان الإضافية
- تحذير: نحن ننصح باستخدام أداة تعمل بالتيار المتبقي مع معدل التيار المتبقي لـ 30 ميلي أمبير أو أقل.



- باتزانك في كل الأوقات. حيث يتيح ذلك إمكانية تحكم أفضل في الأداة الكهربائية في المواقف غير المتوقعة.
- f. ارتدِ زيًا مناسبًا. لا ترتدِ الملابس الفضفاضة أو الحلي. احرص على إبعاد شعرك وملابسك عن الأجزاء المتحركة. فقد تعلق الملابس الفضفاضة أو الحلي أو الشعر الطويل في الأجزاء المتحركة.
- g. إذا كانت الأجهزة معدة للتوصيل بوسائل إزالة أو تجميع الأتربة، فتأكد من توصيلها واستخدامها بشكل مناسب. استخدام هذه الأجهزة يمكن أن يقلل من المخاطر المتعلقة بالغبار.
- h. لا تسمح لاعتيادك على استخدام الأدوات بشكل متكرر أن يبعث داخلك اطمئنانًا قد يدفعك إلى تجاهل مبادئ سلامة العاصم بالأداة. فأنت تصرف طائش يمكن أن يتسبب في وقوع إصابات خطيرة في لمح البصر.
4. استخدام الأداة الكهربائية والعناية بها
- a. لا تضغط على الأداة الكهربائية. استخدم الأداة الكهربائية المناسبة لاستعمالك. حيث أن الأداة الكهربائية المناسبة سوف تقوم بأداء العمل بشكل أفضل وأكثر أمانًا وفعلاً للمعدل التي صُممت لأجله.
- b. لا تستخدم الأداة الكهربائية إذا لم يقم المفتاح بالتشغيل والإيقاف، أية أداة كهربائية لا يمكن التحكم فيها باستخدام المفتاح تصبح خطيرة ويجب إصلاحها.
- c. أفضل القابض عن مصدر الكهرباء و/أو أخرج حزمة البطارية، إن كانت قابلة للإزالة، من الأداة الكهربائية قبل إجراء أي تعديلات أو تغيير أي ملحقات أو تخزين الأدوات الكهربائية. تعمل إجراءات السلامة الوقائية هذه على الحد من خطر بدء تشغيل الأداة الكهربائية بدون قصد.
- d. خزن الأدوات الكهربائية غير المستخدمة بعيدًا عن متناول الأطفال ولا تسمح للأشخاص الغير معتمدين على الأداة الكهربائية أو هذه التعليمات بتشغيل الأداة الكهربائية. تمثل الأدوات الكهربائية خطرًا في أيدي المستخدمين غير المتدربين.
- e. هـ. صيانة الأدوات الكهربائية والملحقات. تحقق من وجود أي محاذرة خاطئة أو عائق في الأجزاء المتحركة، أو كسر في الأجزاء، وأية حالة أخرى يمكن أن تؤثر على تشغيل الأدوات الكهربائية. في حالة تلفها، يتم إصلاح الأداة الكهربائية قبل استخدامها. تقع العديد من الحوادث جراء صيانة الأدوات الكهربائية بشكل سيء.
- f. احرص على أن تظل أدوات القطع حادة ونظيفة. تعمل الصيانة المناسبة لأدوات القطع ذات الحواف الحادة على تقليل احتمالية أن تتلم ويمكن التحكم فيها بشكل أسهل.
- g. استخدم الأداة الكهربائية والكماليات ولقم الأداة وما إلى ذلك بما يتوافق مع هذه التعليمات، مع الوضع في الاعتبار ظروف العمل والعمل الذي يتعين القيام به. استخدام الأداة الكهربائية لتنفيذ العمليات في الأغراض غير المخصصة

قوالبس مهايئ مع الأدوات الكهربائية المتصلة بالأرضي (مؤرضة). عدم تعديل القابس واستخدام مخارج تيار مناسبة يحد من مخاطر الصدمات الكهربائية.

b. تجنب ملامسة الجسم مع أسطح مؤرضة أو أرضية، مثل المواسير والمدافئ والأفران والمبردات. يزداد خطر التعرض لصدمة كهربائية إذا كان جسمك في وضع تأريض أو أرضي. c. لا تعرض الأدوات الكهربائية للمطر أو لظروف رطبة. سوف يؤدي تسرب الماء إلى داخل الأداة الكهربائية إلى زيادة مخاطر التعرض للصدمات الكهربائية.

d. لا تسئ استخدام السلك. لا تستخدم السلك مطلقاً في حمل أو سحب الأداة الكهربائية أو فصلها من المقبس. ابق السلك بعيداً عن الحرارة والزيوت والحواف الحادة والأجزاء المتحركة. تزيد الأسلاك التالفة أو المتشابكة من مخاطر التعرض للصدمات الكهربائية.

e. عند تشغيل الأداة الكهربائية في الخارج، استخدم سلك إطالة مناسباً للاستخدام الخارجي. استخدام سلك مناسب لأغراض الاستخدام الخارجي يقلل من مخاطر التعرض للصدمات الكهربائية.

f. إذا لم يكن هناك مفر من تشغيل الأداة الكهربائية في منطقة رطبة، فاستخدم شبكة تغذية محمية بقاطع تفاضلي (RCD). استخدام قاطع الدائرة يقلل من مخاطر التعرض للصدمات الكهربائية.

3. السلامة الشخصية

a. كن متيقظاً، وراقب ما تفعل واستخدم حسك العام عند تشغيل الأداة الكهربائية. لا تستخدم الأداة الكهربائية عندما تكون مجهداً أو تحت تأثير المخدرات أو الكحوليات أو الأدوية. في حالة عدم الانتباه عند تشغيل الأداة الكهربائية يمكن أن تتسبب في وقوع إصابات شخصية بالغة.

b. استخدم معدات الحماية الشخصية. احرص دائماً على ارتداء واقي العينين. سوف تعمل معدات الحماية، مثل قناع الغبار وأحذية السلامة المقاومة للانزلاق والخوذة الصلبة وواقي الأذن المستخدمة في ظروف مناسبة على تقليل معدل الإصابات الشخصية.

c. تجنب بدء العمل بدون قصد. تحقق من أن المفتاح في وضع الإيقاف قبل التوصيل بمصدر الكهرباء و/أو علبه البطارية أو قبل التقاط أو حمل الأداة. إن حمل الأدوات الكهربائية وإصبعك على مفتاح التشغيل أو بينما توجد الأدوات في وضع التشغيل من شأنه أن يستدعي وقوع حوادث.

d. تخلص من أية مفاتيح ضبط أو ربط قبل تشغيل الأداة الكهربائية. يمكن أن يتسبب أي مفتاح ربط أو ضبط موصل بالجزء الدوار من الأداة الكهربائية في وقوع إصابات شخصية.

e. تجنب المبالغة. ضع قدميك في وضع مناسب واحتفظ

الغرض من الاستخدام

صُممت آلة الصنفرة الشريطية SB90 من STANLEY بغرض صنفرة الخشب والمعدن والبلاستيك والأسطح المطيية. هذا الجهاز مُعد للاستخدام المحترف.

تعليمات السلامة

التعريفات الموضحة أدناه تبين مستوى القسوة لكل إشارة مكتوبة. يرجى قراءة الدليل مع مراعاة هذه الرموز.

خطر: يشير إلى موقف خطر وشيك سوف تنتج عنه الوفاة أو إصابات خطيرة في حال عدم تجنبه.



تحذير: يشير إلى موقف خطر محتمل من الممكن أن تنتج عنه الوفاة أو إصابات خطيرة في حال عدم تجنبه.



تحذير: يشير إلى موقف خطر محتمل ربما تنتج عنه الوفاة أو إصابات خطيرة في حال عدم تجنبه.



ملاحظة: يشير إلى ممارسة لا تتطوي على إلحاق إصابات جسدية للمشغل، ولكن يمكن أن ينتج عنه تلف الممتلكات إن لم يتم تجنبه.



يشير إلى خطر التعرض لصدمة كهربائية.



يشير إلى خطر نشوب حريق.



تحذير: لتجنب خطر التعرض للإصابات، تجب قراءة دليل التعليمات.



تحذيرات عامة متعلقة بسلامة أداة الطاقة الكهربائية

تحذيراً! احرص على قراءة كل تحذيرات السلامة والتعليمات والرسوم التوضيحية ذات الصلة والمواصفات المرفقة مع ة.



احتفظ بكل التحذيرات والتعليمات كمرجع مستقبلي

مصطلح «الأداة الكهربائية» الوارد في كل التحذيرات المدرجة أدناه يشير إلى الأداة الكهربائية المشغلة بواسطة التيار الكهربائي (بكابِل) أو المشغلة ببطارية (بدون كابِل).

1. سلامة منطقة العمل

a. حافظ على منطقة العمل نظيفة ومضاءة جيداً. فالمناطق غير المرتبة أو المظلمة عرضة لوقوع حوادث.

b. لا تشغل الأدوات الكهربائية في أجواء قابلة للانفجار، مثل وجود سوائل أو غازات أو غبار قابلة للاشتعال. تطلق الأدوات الكهربائية شرراً يمكن أن يشعل الغبار أو الأذخنة.

c. احرص على إبعاد الأطفال والمتواجدين في منطقة العمل عند تشغيل الأداة الكهربائية. مصادر صرف الانتباه يمكن أن تجعلك تفقد القدرة على التحكم.

2. السلامة من مخاطر الكهرباء

a. يلزم توافق قوالبس الأداة الكهربائية مع مقبس التيار الكهربائي. يُحظر تعديل القابس بأي طريقة. لا تستخدم

